



# TEX1600LIGHT & TEX2000LIGHT

TECHNICAL ANNEX  
VOLUME2



R.V.R. Elettronica S.r.l.  
Via del Fonditore 2 / 2c  
40138 · Bologna · Italy  
Phone: +39 051 6010506 · Fax: +39 051 6011104  
e-mail: info@rvr.it · web: http://www.rvr.it

Member of CISQ Federation



CERTIFIED MANAGEMENT SYSTEM

ISO 9001



The RVR Logo, and others referenced RVR products and services are trademarks of RVR Elettronica in Italy, other countries or both. RVR © 1998 all rights reserved.  
All other trademarks, trade names or logos used are property of their respective owners.

Manufactured by R.V.R ELETTRONICA Italy



## Appendix A Piani di montaggio, schemi elettrici, liste componenti / Component layouts, schematics, bills of material

Questa parte del manuale contiene i dettagli tecnici riguardanti la costruzione delle singole schede componenti il TEX1600light & TEX2000light. L'appendice è composta dalle seguenti sezioni:

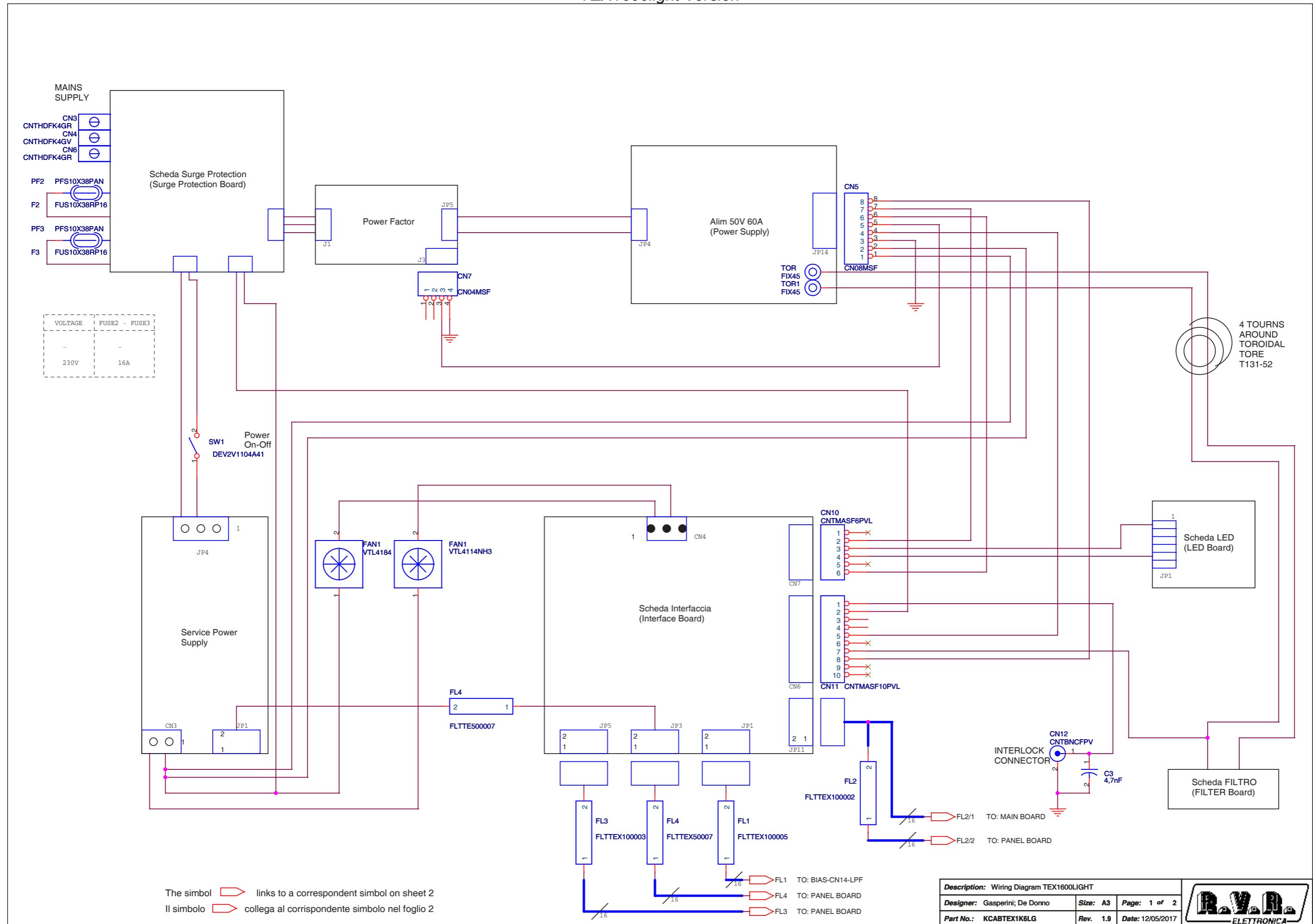
*This part of the manual contains the technical details about the different Cards of the TEX1600light & TEX2000light. This appendix is composed of the following sections:*

Description	TEX1600LIGHT RVR Code	TEX2000LIGHT RVR Code	Vers.	Page
Wiring Diagram	TEX1600light Version	/	1.9	1
Wiring Diagram	/	TEX2000light Version	1.9	3
Main Board	SLMA0383R01V01	SLMA0383R01V01	1.8	7
Driver Card	SLDR0271R03V01	SLDR0271R03V01	1.2	11
Splitter Card	SLSITEX500L1	/	1.0	14
Splitter Card	/	SLSPLTEX1KL1	1.0	16
R.F. Card	SL237RF4001	/	1.0	17
R.F. Card	/	SL237RF1001	1.6	22
Combiner Card	SLCM0374R01V01	/	1.0	23
Combiner Card	/	SLCMBTEX2KL1	1.0	25
LPF Card	SLLPFTEX2K5	SLLPFTEX2K5	1.2	26
Surge Protection Card	SLSRGPRPJ1KM	SLSRGPRPJ1KM	1.2	29
Power Factor Correction	PFCPSL5060	PFCPSL5060	1.0	32
Power Supply	PSL5060HS	PSL5060HS	1.0	40
Auxiliary Power Supply 24V	PS.EPS65S24	PS.EPS65S24	1.0	53
Auxiliary Power Supply	SLPS0482R01V04	SLPS0482R01V04	1.0	55
Filter PS Card	SLFIPAS4R01V01	SLFIPAS4R01V01	1.0	57
Fuse Card	SLFUSTEX1K6LG	/	1.2	59
Fuse Card	/	SLFURFPJ2KLG	1.0	61
Panel Card	SLPC0436R01V03	SLPC0436R01V03	1.1	63
BIAS Card	SLBIASTEX2K	SLBIASTEX2K	1.7	66
Interface Card	SL010IN5003	SL010IN5003	1.8	72
Pass Through Card	SLFILPJ1KM	SLFILPJ1KM	2.1	74
Filter Card	SL176FI1001	SL176FI1001	1.1	76
Thermal Probe Card	SL024MT1001	SL024MT1001	1.1	78
Directional Coupler Card	SLDC0375R01V01	SLDC0375R01V01	1.2	80
Telemetry Card	SLDC0375R01V01	SLDC0375R01V01	1.1	82
Stereo Coder Card	SLCTC30V03	SLCTC30V03	1.2	85
15kHz Audio Filter Card	SLAU0469R01V02	SLAU0469R01V02	1.0	88

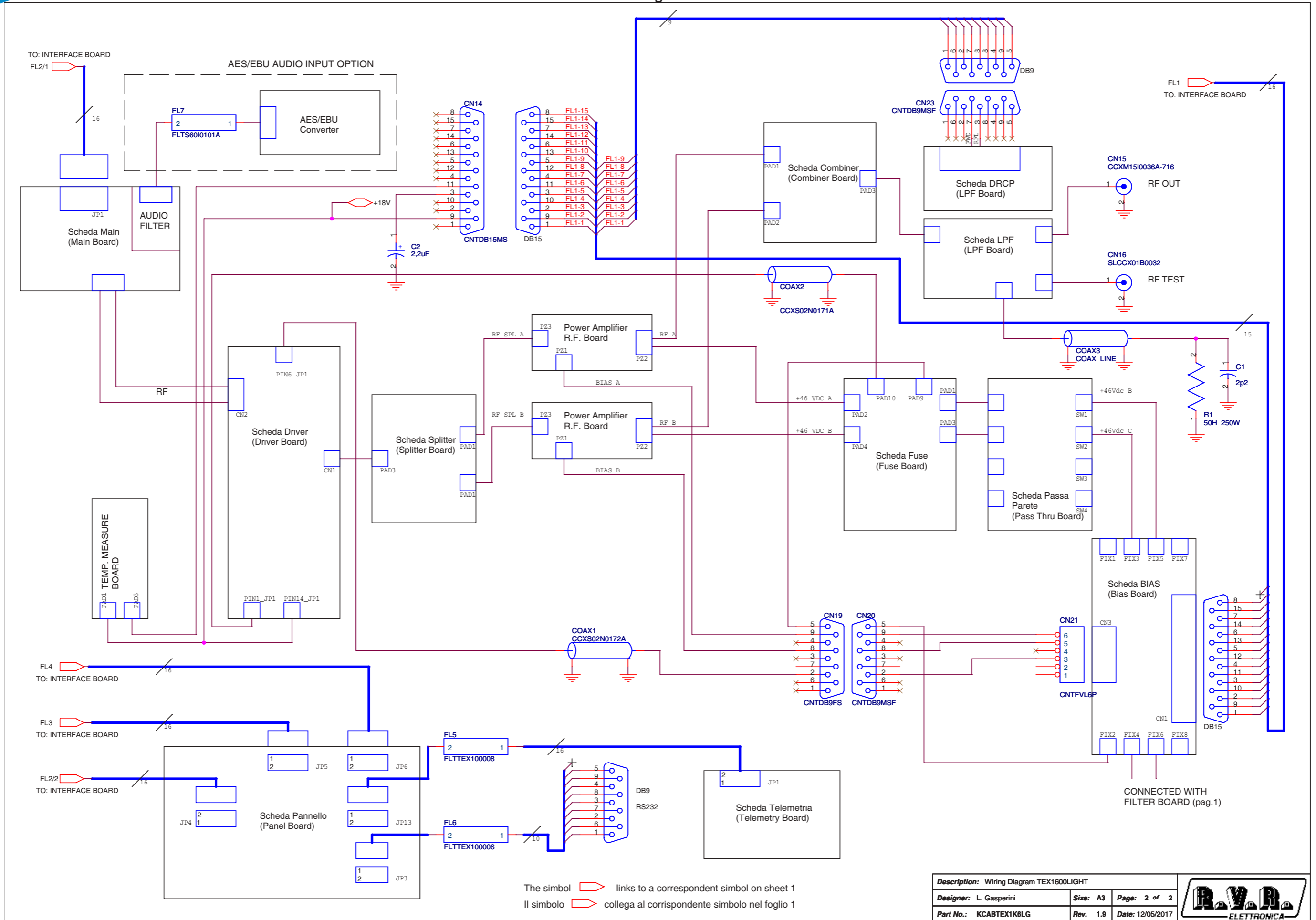
### Document History

Date	Version	Reason	Code	Editor
30/04/2012	1.0	First Release	/	J.H. Berti
01/04/2021	1.1	Major Updating	/	J.H. Berti

TEX1600light Version



TEX1600light Version

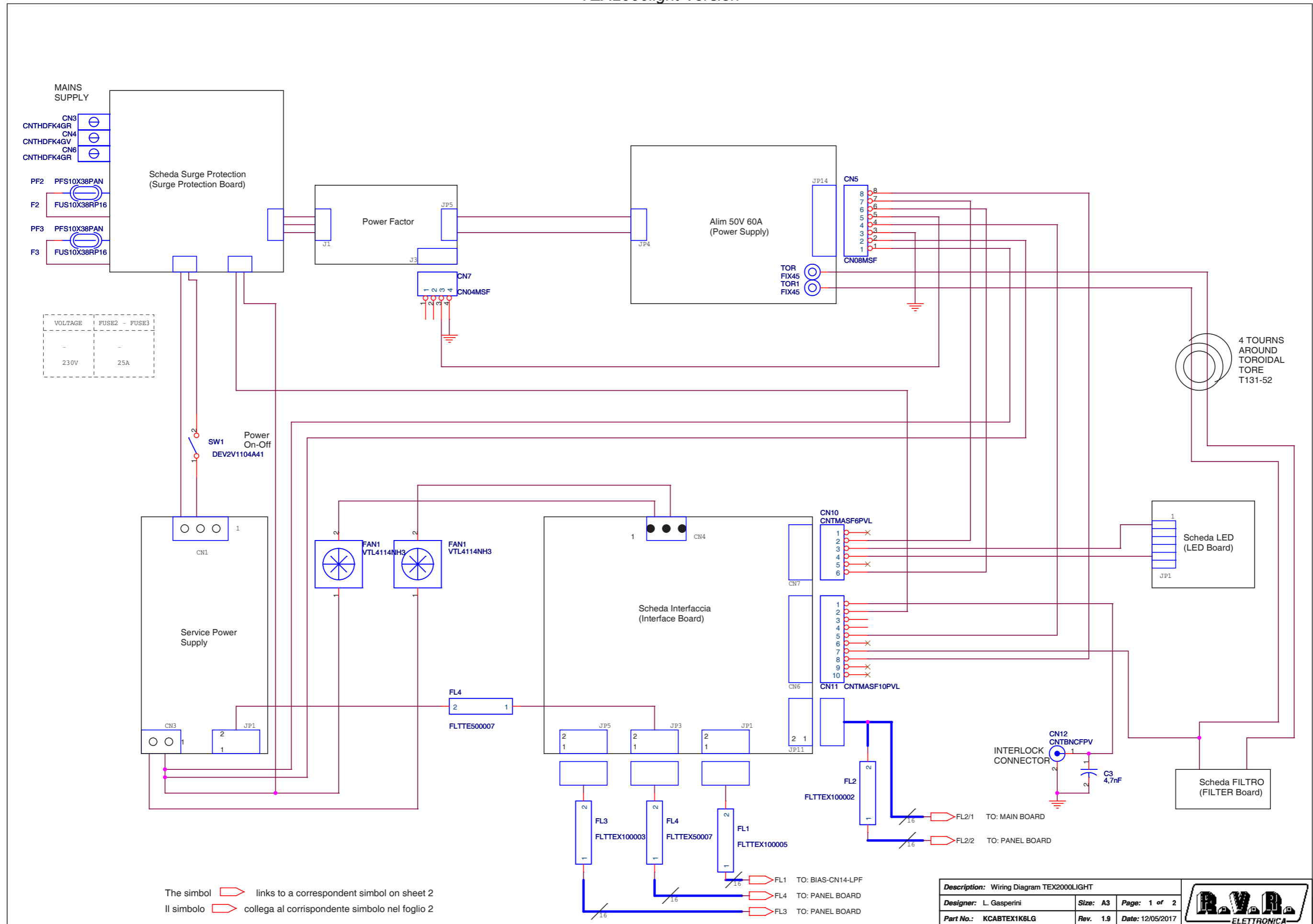


The symbol links to a correspondent symbol on sheet 1  
 Il simbolo collega al corrispondente simbolo nel foglio 1

Description: Wiring Diagram TEX1600LIGHT		
Designer: L. Gasperini	Size: A3	Page: 2 of 2
Part No.: KCABTEX1K6LG	Rev. 1.9	Date: 12/05/2017



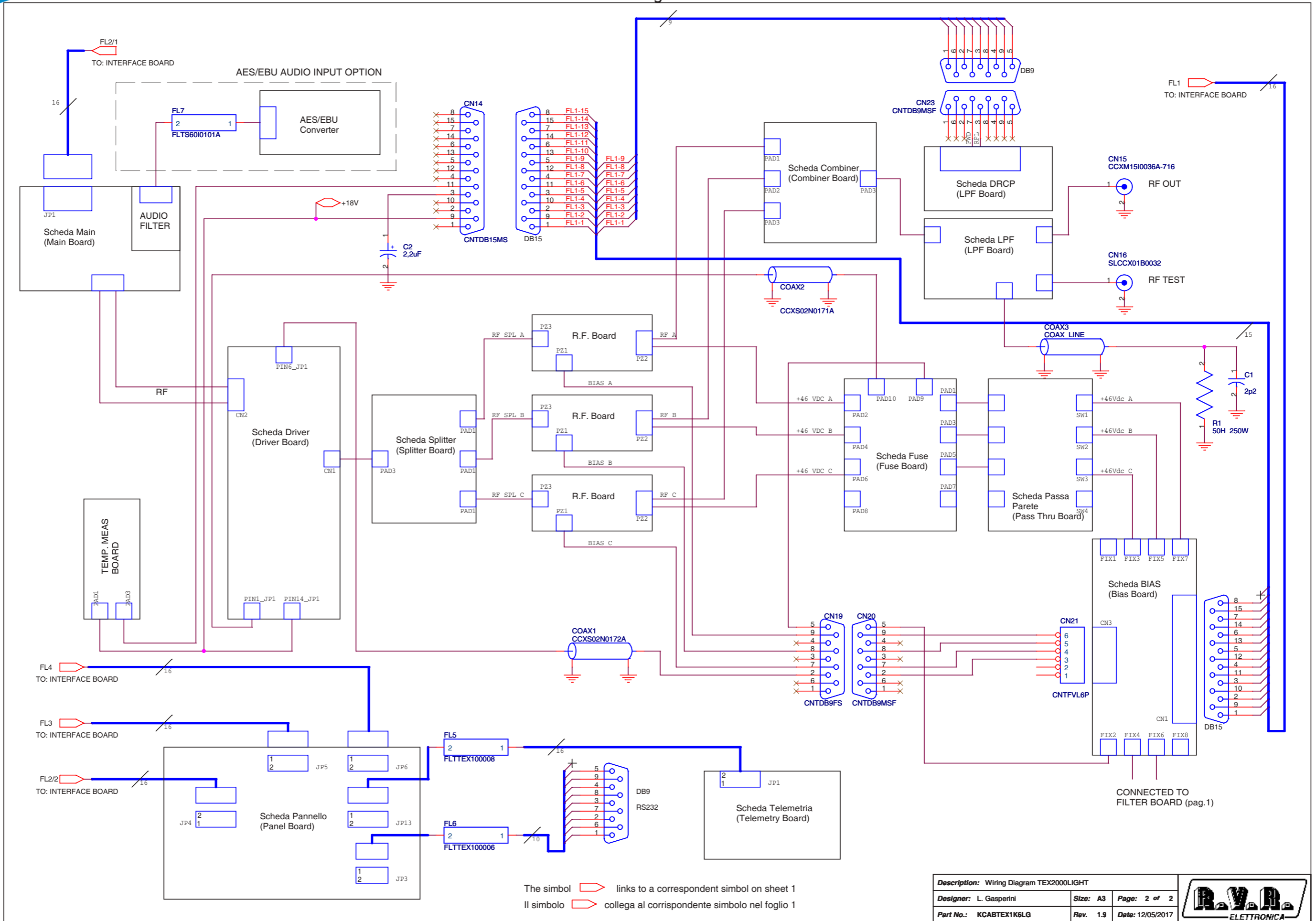
TEX2000light Version



<b>Description:</b> Wiring Diagram TEX2000LIGHT		
<b>Designer:</b> L. Gasperini	<b>Size:</b> A3	<b>Page:</b> 1 of 2
<b>Part No.:</b> KCABTEX1K6LG	<b>Rev.:</b> 1.9	<b>Date:</b> 12/05/2017



TEX2000light Version

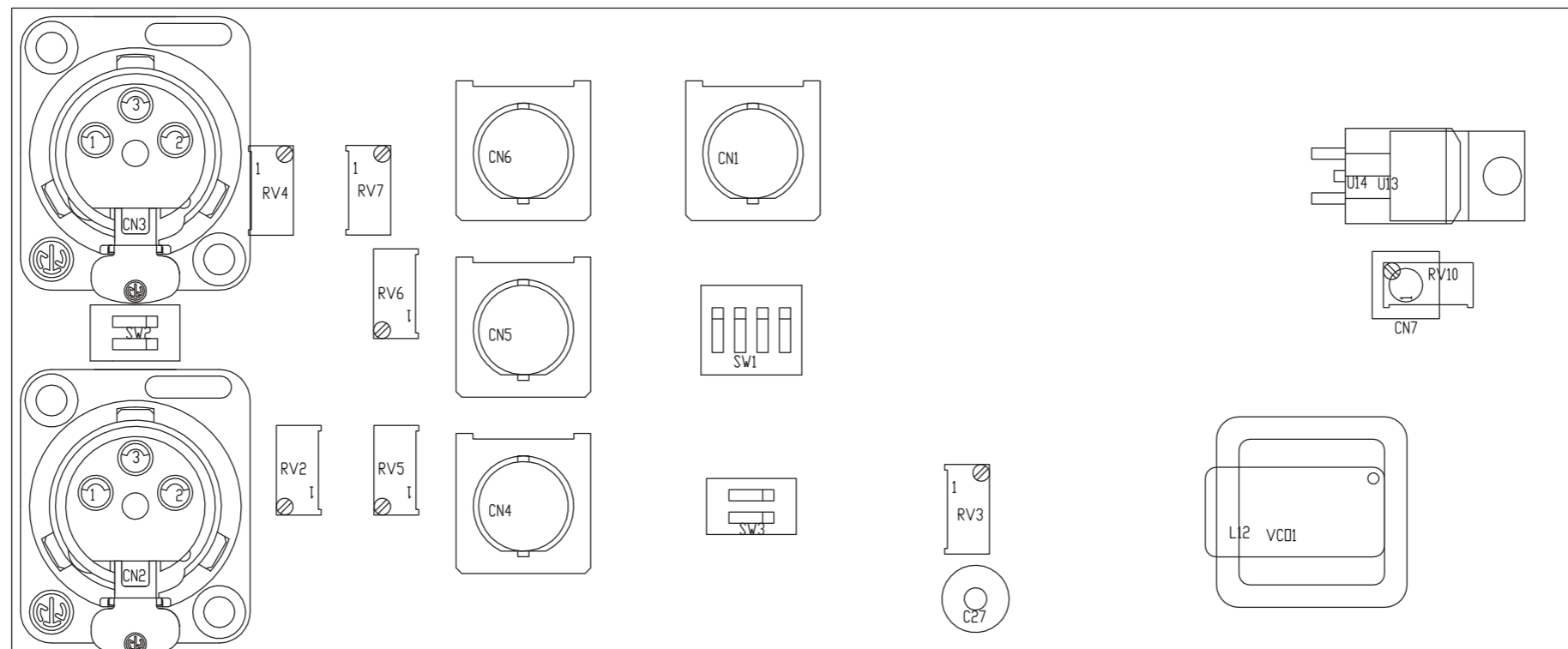
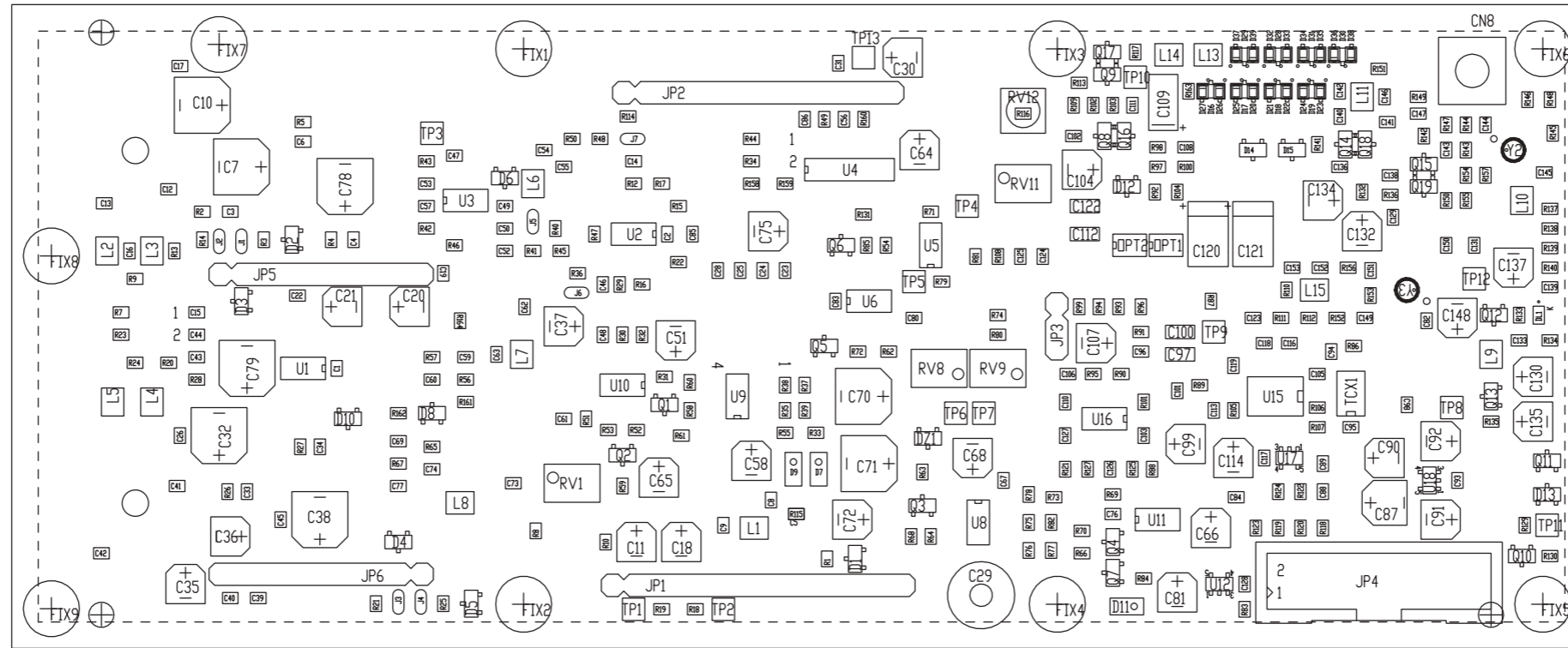


The simbol links to a correspondent simbol on sheet 1  
 Il simbolo collega al corrispondente simbolo nel foglio 1

Description: Wiring Diagram TEX2000LIGHT		
Designer: L. Gasperini	Size: A3	Page: 2 of 2
Part No.: KCABTEX1K6LG	Rev. 1.9	Date: 12/05/2017



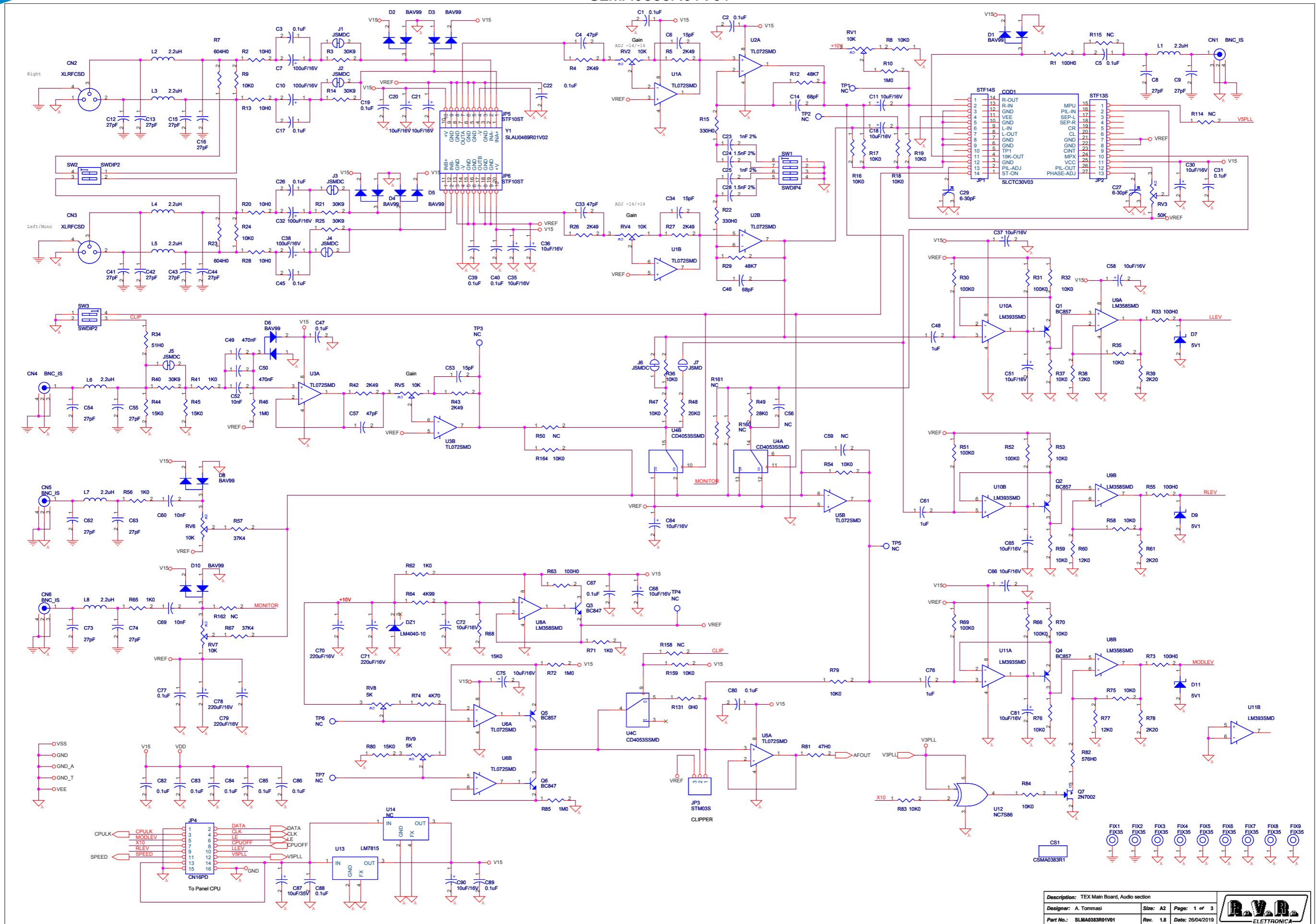
SLMA0383R01V01



PRODUCT_NAME: TEX-LCD	PART_NAME: MAIN CARD
DESIGNER: A. TOMMASI	DATE: 07/09/15
ARCHIVING: "RVRUT" SERVER, "RILASCIATI" FOLDER	REVISION: 1.0
PROJECT_CODE: <>	SCALE: 1:1
DOCUMENT_CODE: SLMA0383R01V01	SIZE: A4
	PAGE: 1 DI 1



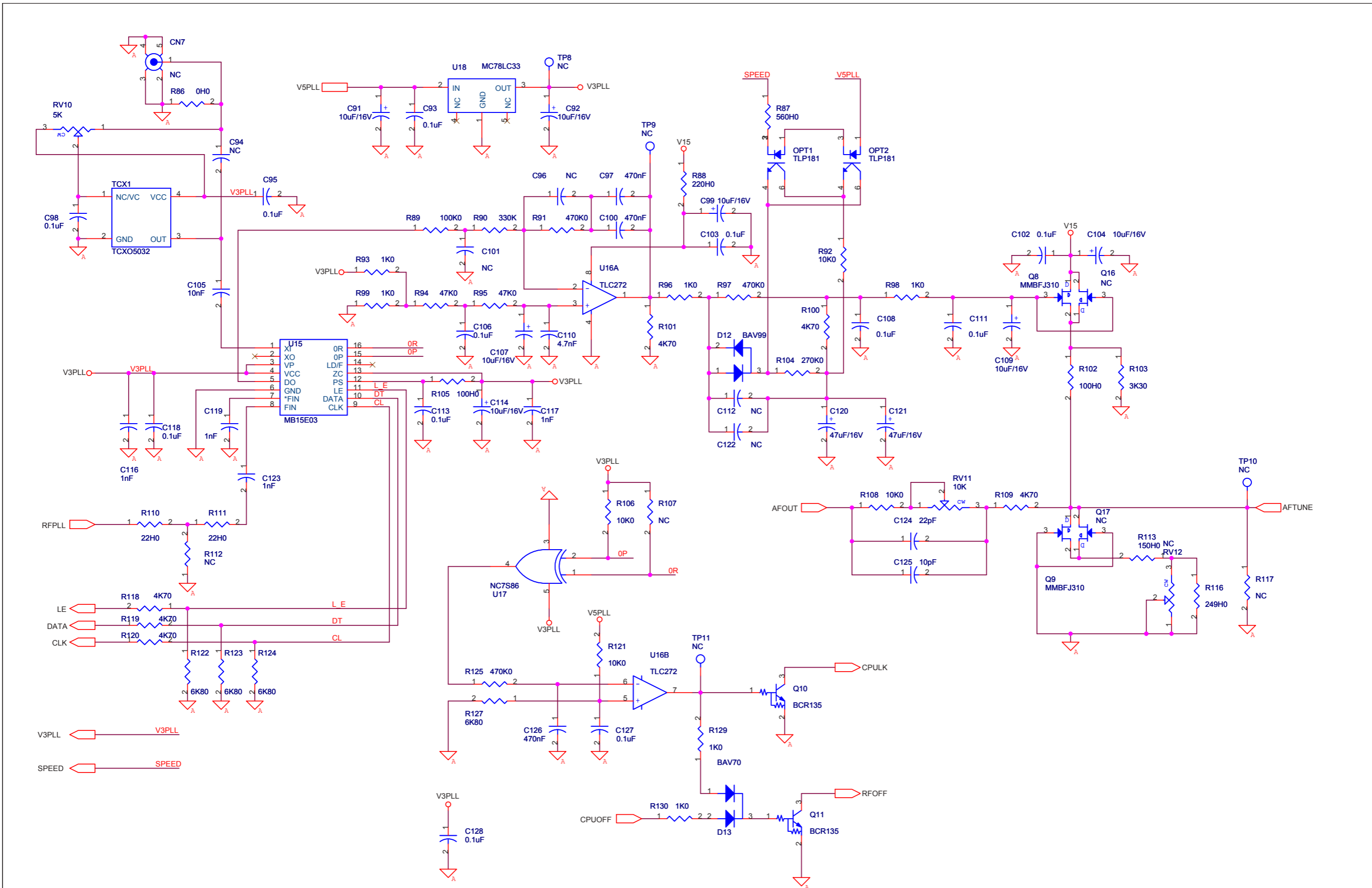
SLMA0383R01V01



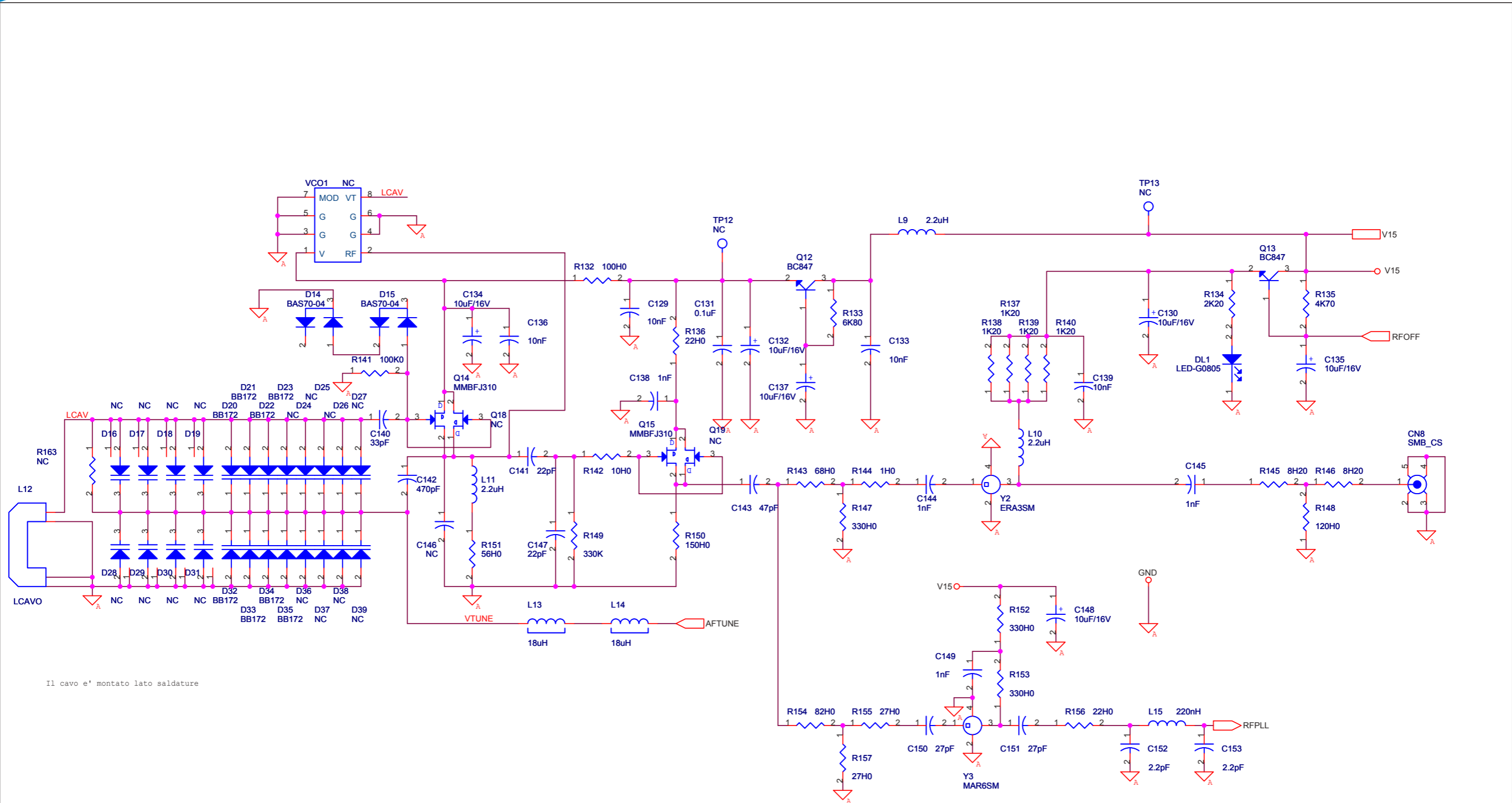
Description: TEX Main Board, Audio section			
Designer: A. Tommasi	Size: A2	Page: 1 of 3	
Part No.: SLMA0383R01V01	Rev: 1.8	Date: 26/04/2019	



SLMA0383R01V01



Description: TEX Main Board, PLL section			
Designer: A. Tommasi	Size: A3	Page: 2 of 3	
Part No.: SLMA0383R01V01	Rev. 1.8	Date: 26/04/2019	



Il cavo e' montato lato saldature

Description: TEX Main Board, VCO section		
Designer: A. Tommasi	Size: A3	Page: 3 of 3
Part No.: SLMA0383R01V01	Rev. 1.8	Date: 26/04/2019



SLMA0383R01V01

TEX Main Board Revised: 26/04/2019  
 SLMA0383R01V01 Revision: 1.8  
 A. Tommasi; G. De Donno

Item	Quantity	Reference	Part	Description
1	4	CN1,CN4,CN5,CN6	BNC_IS	Connettore BNC metallico
2	2	CN2,CN3	XLRFCSD	Connettore XLR femm. cs
3	1	CN7	NC	Connettore SMB cs
4	1	CN8	SMB_CS	Connettore SMB cs
5	1	COD1	SLCTC30V03	Coder stereo CTC30
6	1	CS1	CSMA0383R1	Circuito stampato
7	36	C1,C2,C3,C5,C17,C19,C22,C26,C31,C39,C40,C45,C47,C67,C77,C80,C82,C83,C84,C85,C86,C88,C89,C93,C95,C98,C102,C103,C106,C108,C111,C113,C118,C127,C128,C131	0.1uF	Cond. SMD 0805
8	4	C4,C33,C57,C143	47pF	Cond. SMD 0805
9	3	C6,C34,C53	15pF	Cond. SMD 0805
10	4	C7,C10,C32,C38	100uF/16V	Cond. Elett. SMD d. 6.3mm
11	18	C8,C9,C12,C13,C15,C16,C41,C42,C43,C44,C54,C55,C62,C63,C73,C74,C150,C151	27pF	Cond. SMD 0805
12	30	C11,C18,C20,C21,C30,C35,C36,C37,C51,C58,C64,C65,C66,C68,C72,C75,C81,C90,C91,C92,C99,C104,C107,C114,C130,C132,C134,C135,C137,C148	10uF/16V	Cond. Elett. SMD d. 4mm
13	2	C14,C46	68pF	Cond. SMD 0805
14	2	C23,C25	1nF 2%	Cond. SMD 0805 COG
15	2	C24,C28	1.5nF 2%	Cond. SMD 0805 COG
16	2	C27,C29	6-30pF	Comp. ceramico dia. 7mm
17	3	C48,C61,C76	1uF	Cond. SMD 0805
18	3	C49,C50,C126	470nF	Cond. SMD 0805
19	8	C52,C60,C69,C105,C129,C133,C136,C139	10nF	Cond. SMD 0805
20	6	C56,C59,C94,C96,C101,C146	NC	Cond. SMD 0805
21	4	C70,C71,C78,C79	220uF/16V	Cond. Elett. SMD d. 6.3mm
22	1	C87	10uF/35V	Cond. Elett. SMD d. 5mm
23	2	C97,C100	470nF	Cond. SMD 1206
24	1	C109	10uF/16V	Cond. Elett. SMD tant. size C
25	1	C110	4.7nF	Cond. SMD 0805
26	2	C112,C122	NC	Cond. SMD 1206
27	8	C116,C117,C119,C123,C138,C144,C145,C149	1nF	Cond. SMD 0805
28	2	C120,C121	47uF/16V	Cond. Elett. SMD tant. size D
29	3	C124,C141,C147	22pF	Cond. SMD 0805

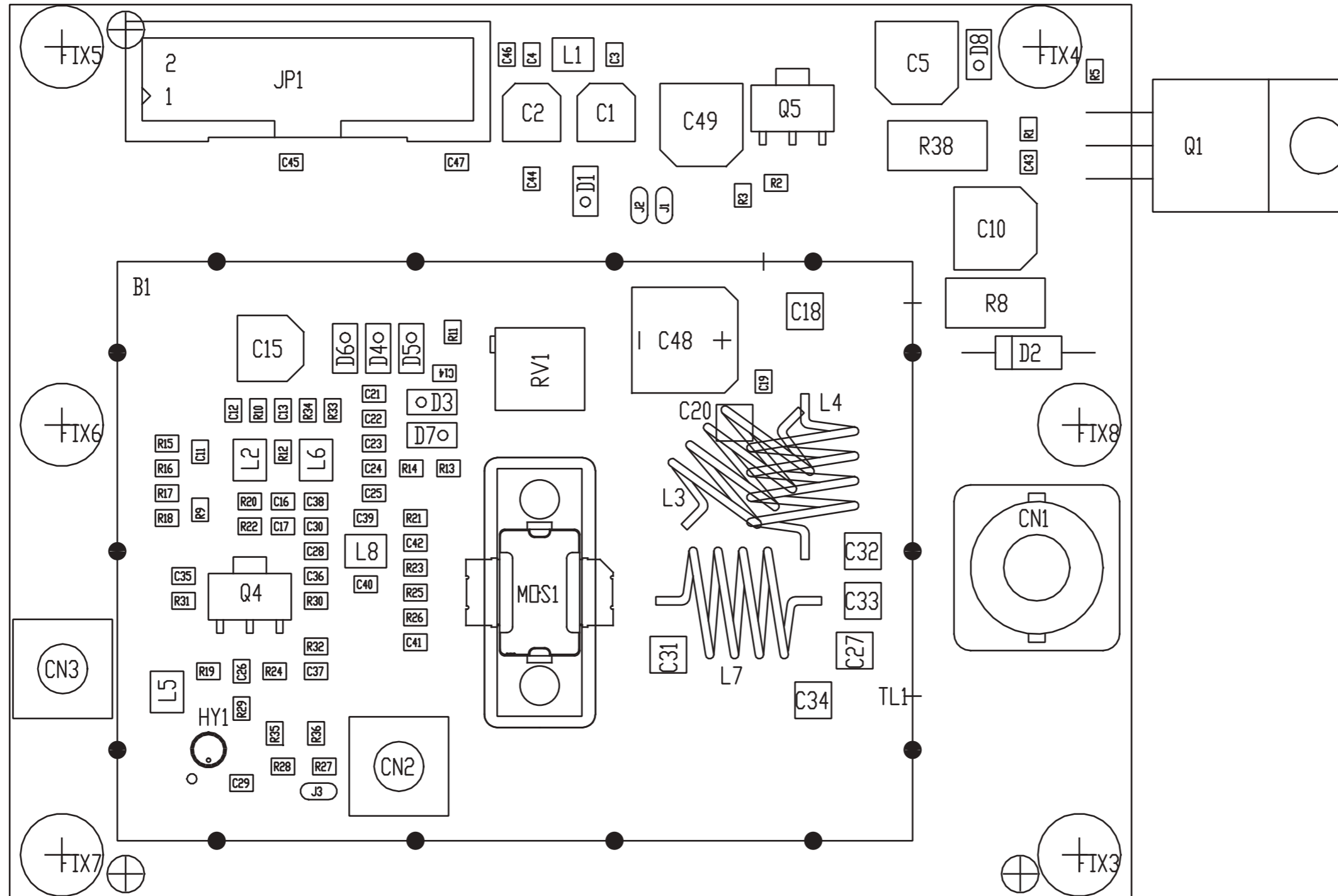
30	1	C125	10pF	Cond. SMD 0805
31	1	C140	33pF	Cond. SMD 0805
32	1	C142	470pF	Cond. SMD 0805
33	2	C152,C153	2.2pF	Cond. SMD 0805
34	1	DL1	LED-G0805	LED Verde SMD 0805
35	1	DZ1	LM4040-10	Diodi Zener SMD SOT23
36	9	D1,D2,D3,D4,D5,D6,D8,D10,D12	BAV99	Doppio Diodo SMD SOT23
37	3	D7,D9,D11	5V1	MINIMELF SMD Zener Diode
38	1	D13	BAV70	Doppio Diodo SMD SOT23
39	2	D14,D15	BAS70-04	Doppio Diodo SMD SOT23
40	8	D16,D17,D18,D19,D28,D29,D30,D31	NC	Diodo Varicap SMD SOT23
41	8	D20,D21,D22,D23,D32,D33,D34,D35	BB172	Diodo varicap SOD323
42	8	D24,D25,D26,D27,D36,D37,D38,D39	NC	Diodo varicap SOD323
43	9	FIX1,FIX2,FIX3,FIX4,FIX5,FIX6,FIX7,FIX8,FIX9	FIX35	Foro fissaggio 3.5mm
44	1	JP1	STF14S	Strip femmina 14 pin
45	1	JP2	STF13S	Strip femmina 13 pin
46	1	JP3	STM03S	Strip maschio 3 pin
47	1	JP4	CN16PD	Conn.M.C.S.Dritto 16P alette.
48	2	JP5,JP6	STF10ST	Strip femmina 10 pin tornita
49	6	J1,J2,J3,J4,J5,J6	JSMD	Pad SMD a saldare chiuso
50	1	J7	JSMD	Pad SMD a saldare
51	11	L1,L2,L3,L4,L5,L6,L7,L8,L9,L10,L11	2.2uH	Induttanza SMD 3225 (1210)
52	1	L12	LCAVO	Induttanza a cavo RG
53	2	L13,L14	18uH	Induttanza SMD 3225 (1210) Schermata
54	1	L15	220nH	Induttanza SMD 3225 (1210)
55	2	OPT1,OPT2	TLP181	Optoisolatore SMD SO6
56	4	Q1,Q2,Q4,Q5	BC857	Trans. PNP SOT23
57	4	Q3,Q6,Q12,Q13	BC847	Trans. NPN SOT23
58	1	Q7	2N7002	Trans. FET SOT23
59	4	Q8,Q9,Q14,Q15	MMBFJ310	Trans. FET SOT23
60	2	Q10,Q11	BCR135	Trans./Res. NPN SOT23
61	4	Q16,Q17,Q18,Q19	NC	Trans. FET SOT23
62	2	RV1,RV11	10K	Trimmer Rg V 3269W SMD
63	5	RV2,RV4,RV5,RV6,RV7	10K	Trimmer Rg V 3296W
64	1	RV3	50K	Trimmer Rg V 3296W
65	2	RV8,RV9	5K	Trimmer Rg V 3269W SMD
66	1	RV10	5K	Trimmer Rg V 3296W
67	1	RV12	NC	Trimmer SMD
68	8	R1,R33,R55,R63,R73,R102,R105,R132	100H0	Res. SMD 0805
69	5	R2,R13,R20,R28,R142	10H0	Res. SMD 0805
70	5	R3,R14,R21,R25,R40	30K9	Res. SMD 0805
71	6	R4,R5,R26,R27,R42,R43	2K49	Res. SMD 0805
72	2	R7,R23	604H0	Res. SMD 0805
73	28	R8,R9,R16,R17,R18,R19,R24,R32,R35,R36,R37,R47,	10K0	Res. SMD 0805

SLMA0383R01V01

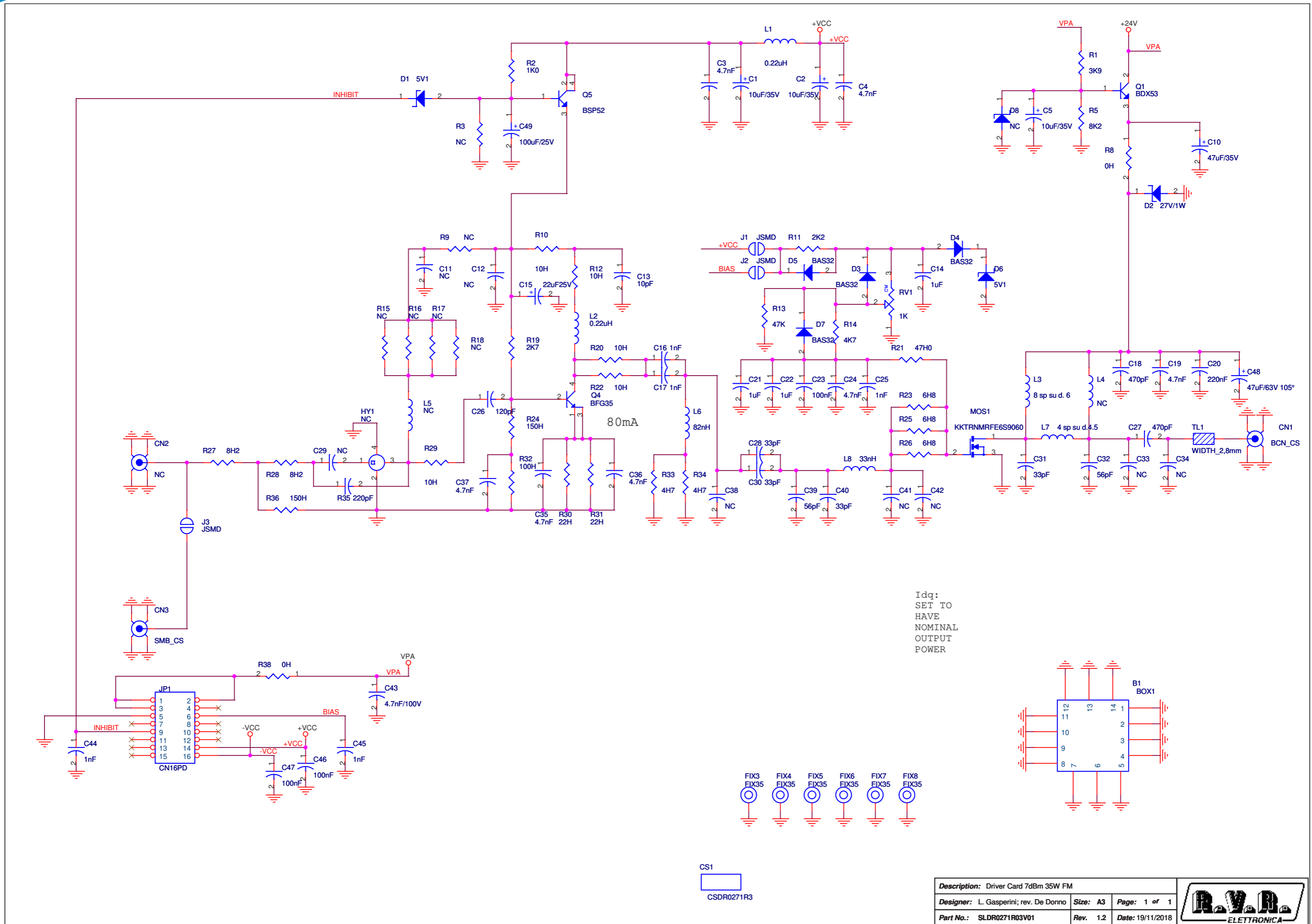
	R53,R54,R58,R59,R70,R75, R76,R79,R83,R84,R92,R106, R108,R121,R159,R164		
74	4 R10,R46,R72,R85	1M0	Res. SMD 0805
75	2 R12,R29	48K7	Res. SMD 0805
76	5 R15,R22,R147,R152,R153	330H0	Res. SMD 0805
77	8 R30,R31,R51,R52,R66,R69, R89,R141	100K0	Res. SMD 0805
78	1 R34	51H0	Res. SMD 0805
79	3 R38,R60,R77	12K0	Res. SMD 0805
80	4 R39,R61,R78,R134	2K20	Res. SMD 0805
81	11 R41,R56,R62,R65,R71,R93, R96,R98,R99,R129,R130	1K0	Res. SMD 0805
82	4 R44,R45,R68,R80	15K0	Res. SMD 0805
83	1 R48	20K0	Res. SMD 0805
84	1 R49	28K0	Res. SMD 0805
85	12 R50,R107,R114,R115,R116, R117,R158,R160,R161,R162, R163,R112	NC	Res. SMD 0805
86	2 R57,R67	37K4	Res. SMD 0805
87	1 R64	4K99	Res. SMD 0805
88	8 R74,R100,R101,R109, R118,R119,R120,R135	4K70	Res. SMD 0805
89	1 R81	47H0	Res. SMD 0805
90	1 R82	576H0	Res. SMD 0805
91	2 R86,R131	0H0	Res. SMD 0805
92	1 R87	560H0	Res. SMD 0805
93	1 R88	220H0	Res. SMD 0805
94	2 R90,R149	330K	Res. SMD 0805
95	3 R91,R97,R125	470K0	Res. SMD 0805
96	2 R94,R95	47K0	Res. SMD 0805
97	1 R103	3K30	Res. SMD 0805
98	1 R104	270K0	Res. SMD 0805
99	4 R110,R111,R136,R156	22H0	Res. SMD 0805
100	2 R113,R150	150H0	Res. SMD 0805
101	1 R116	249H0	Res. SMD 0805
102	5 R122,R123,R124,R127,R133	6K80	Res. SMD 0805
103	4 R137,R138,R139,R140	1K20	Res. SMD 0805
104	1 R143	68H0	Res. SMD 0805
105	1 R144	1H0	Res. SMD 0805
106	2 R145,R146	8H20	Res. SMD 0805
107	1 R148	120H0	Res. SMD 0805
108	1 R151	56H0	Res. SMD 0805
109	1 R154	82H0	Res. SMD 0805
110	2 R155,R157	27H0	Res. SMD 0805
111	1 SW1	SWDIP4	Dip switch 4 vie
112	2 SW2,SW3	SWDIP2	Dip switch 2 vie
113	1 TCX1	TCXO5032	TCXO SMD 5x3.2mm
114	13 TP1,TP2,TP3,TP4,TP5,TP6, TP7,TP8,TP9,TP10,TP11, TP12,TP13	NC	Test point
115	5 U1,U2,U3,U5,U6	TL072SMD	Dual Op. SMD SO8

116	1 U4	CD4053SSMD	Analog Switch SMD SO16
117	2 U8,U9	LM358SMD	Dual Op. SMD SO8
118	2 U10,U11	LM393SMD	Dual Comp. SMD SO8
119	2 U12,U17	NC7S86	XOR Port
120	1 U13	LM7815	Stabilizzatore TO220
121	1 U14	NC	Stabilizzatore SMD D2PAK
122	1 U15	MB15E03	Integrated PLL
123	1 U16	TLC272	Dual Op. SMD SO8
124	1 U18	MC78LC33	Stab. SMD SOT23-5
125	1 VCO1	NC	VCO SKY 8 pin FVC7MD
126	1 Y1	SLAU0469R01V02	Filtro Audio Stereo
127	1 Y2	ERA3SM	Ibrido MAR/ERA
128	1 Y3	MAR6SM	Ibrido MAR/ERA

SLDR0271R03V01



PRODUCT NAME : TEX-TFT	PART NAME : DRIVER CARD
DESIGNER : FRANCESCHI A.	DATE : 13/03/15
ARCHIVING : 'RVRUT' SERVER, 'RILASCIATI' FOLDER	REVISION : 1.2
	SCALE : 2:1
	SIZE : A4
	PAGE : 1
	DI : 1
	DOCUMENT CODE : SLDR0271R01V**



<b>Description:</b> Driver Card 7dBm 35W FM		
<b>Designer:</b> L. Gasperini; rev. De Donno	<b>Size:</b> A3	<b>Page:</b> 1 of 1
<b>Part No.:</b> SLDR0271R03V01	<b>Rev.:</b> 1.2	<b>Date:</b> 19/11/2018

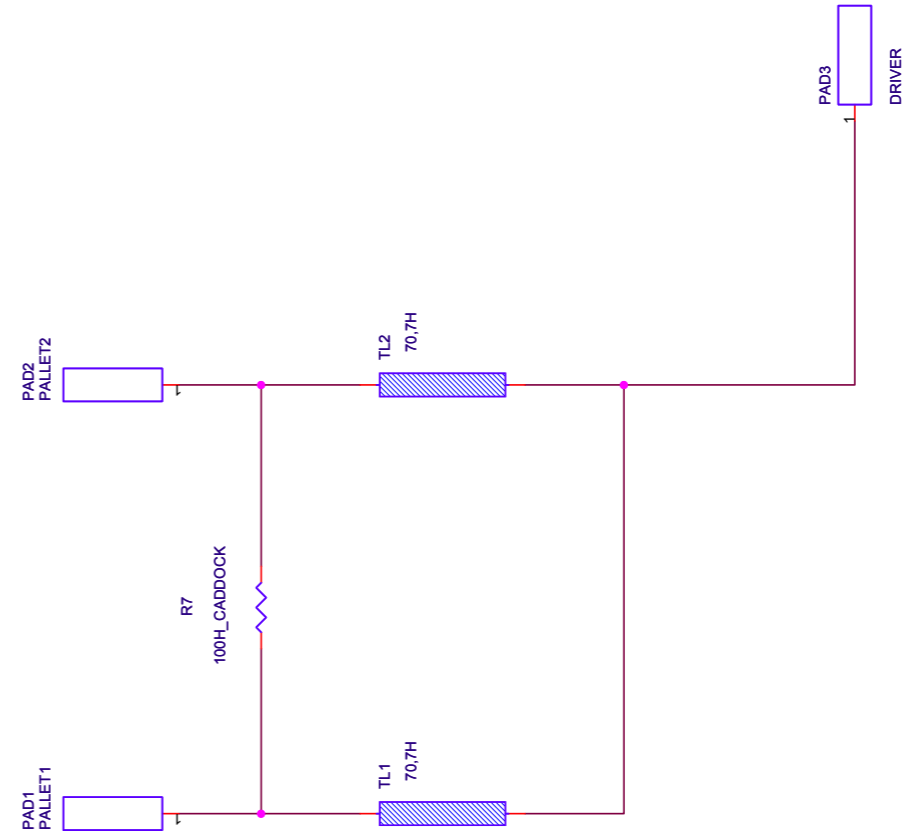
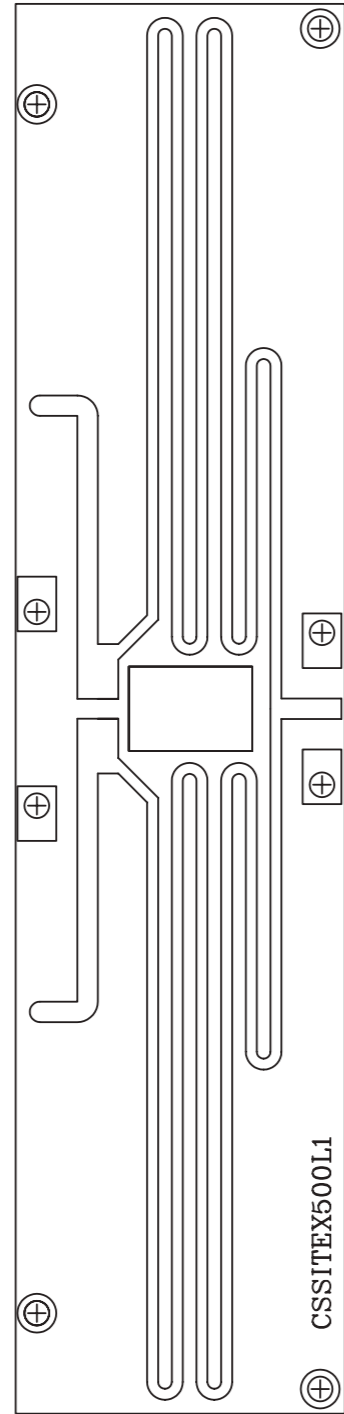


SLDR0271R03V01

Driver Card 7dBm 35W FM Revised: 19/11/2018  
 SLDR0271R03V01 Revision: 1.2  
 L. Gasperini; rev. De Donno

Item	Quantity	Reference	Part	(description)
1	1	B1	BOX1	
2	1	CN1	BCN_CS	Connettore BNC 10x10 cs
3	1	CN2	NC	Connettore SMB cs
4	1	CN3	SMB_CS	Connettore SMB cs
5	1	CS1	CSDR0271R3	Circuito stampato
6	2	C1, C2	10uF/35V	Cond. Elett. SMD d. 4mm
7	7	C3, C4, C19, C24, C35, C36, C37	4.7nF	Cond. SMD 0805
8	1	C5	10uF/35V	Cond. Elett. SMD d. 6.3mm
9	1	R35	220pF	Cond. SMD 0805
10	1	C10	47uF/35V	Cond. Elett. SMD d. 6.3mm
11	6	C11, C12, C29, C38, C41, C42	NC	Cond. SMD 0805
12	1	C13	10pF	Cond. SMD 0805
13	3	C14, C21, C22	1uF	Cond. SMD 0805
14	1	C15	22uF25V	Cond. Elett. SMD d. 5mm
15	5	C16, C17, C25, C44, C45	1nF	Cond. SMD 0805
16	2	C18, C27	470pF	Cond. SMD 1212 HQ
17	1	C20	220nF	Cond. SMD 1212
18	3	C23, C46, C47	100nF	Cond. SMD 0805
19	1	C26	120pF	Cond. SMD 0805
20	3	C28, C30, C40	33pF	Cond. SMD 0805
21	1	C31	33pF	Cond. SMD 1212 HQ
22	1	C32	56pF	Cond. SMD 1212 HQ
23	2	C33, C34	NC	Cond. SMD 1212 HQ
24	1	C39	56pF	Cond. SMD 0805
25	1	C43	4.7nF/100V	Cond. SMD 0805
26	1	C48	47uF/63V 105°	Cond. Elett. SMD d. 8mm
27	1	C49	100uF/25V	Cond. Elett. SMD d. 6.3mm
28	2	D1, D6	5V1	MINIMELF SMD Zener Diode
29	1	D2	27V/1W	1W Zener Diode
30	4	D3, D4, D5, D7	BAS32	MINIMELF SMD Diode
31	1	D8	NC	MINIMELF SMD Zener Diode
32	6	FIX3, FIX4, FIX5, FIX6, FIX7, FIX8	FIX35	Foro fissaggio 3.5mm
33	1	HY1	NC	Ibrido MAR/ERA
34	1	JP1	CN16PD	Conn.M.C.S.Dritto 16P alette
35	3	J1, J2, J3	JSMD	Pad SMD a saldare
36	2	L1, L2	0.22uH	Induttanza SMD 3225 (1210)
37	1	L3	8 sp su d. 6	Bobina avvolta in aria
38	1	L4	NC	Bobina avvolta in aria
39	1	L5	NC	Induttanza SMD 3225 (1210)
40	1	L6	82nH	Induttanza SMD 3225 (1210)
41	1	L7	4 sp su d.4.5	Bobina avvolta in aria
42	1	L8	33nH	Induttanza SMD 3225 (1210)
43	1	MOS1	MRFE6S9060NR1	
44	1	Q1	BDX53	Trans. NPN TO220
45	1	Q4	BFG35	Trans. NPN SOT223
46	1	Q5	BSP52	Trans. NPN SOT223
47	1	RV1	1K	Trimmer Rg H 3269P SMD
48	1	R1	3K9	Res. SMD 0805 1%
49	1	R2	1K0	Res. SMD 0805 1%
50	6	R3, R9, R15, R16, R17, R18	NC	Res. SMD 0805 1%
51	1	R5	8K2	Res. SMD 0805 1%
52	1	R11	2K2	Res. SMD 0805 1%
53	2	R38, R8	0H	Res. SMD 2512 1%
54	5	R10, R12, R20, R22, R29	10H	Res. SMD 0805 1%
55	1	R13	47K	Res. SMD 0805 1%
56	1	R14	4K7	Res. SMD 0805 1%
57	1	R19	2K7	Res. SMD 0805 1%
58	1	R21	47H0	Res. SMD 0805 1%
59	3	R23, R25, R26	6H8	Res. SMD 0805 1%
60	2	R36, R24	150H	Res. SMD 0805 1%
61	2	R28, R27	8H2	Res. SMD 0805 1%
62	2	R30, R31	22H	Res. SMD 0805 1%
63	1	R32	100H	Res. SMD 0805 1%
64	2	R33, R34	4H7	Res. SMD 0805 1%
65	1	TL1	WIDTH_2,8mm	Linea strip CS

SLSITEX500L1



	NOME PROGETTO: TEX 500 EXCITER LCD	NOME PARTE: TABELLA INFORMATIVA C.S.SPLITTER VISTA LATO COMPONENTI			
	AUTORE: ENRICO PAOLINO	DATA: 12/01/2004	REVISIONE: 1.0	SCALA: 1:1	SIZE: A4
ARCHIVIAZIONE ELETTRONICA: "CARTELLA PROGETTI" SU "UT_SRV"		CODICE PROGETTO: TEX500L	CODICE DISEGNO: CSSITEX500L1		
MATERIALE: FR4	TRATTAMENTO: STAGNATURA E SOLDER	PROFILO: SP. 1,6 - RAME 35/35	STATO: ESECUTIVO		

Nome Progetto: TEX500LCD		Pagina: 1	di 1	Size: A4
Autore: Gasperini Luca		Codice Progetto: 012		
Nome P.C. in Rete: \UT_SRV\Progetti		Data: 05/04/04	Revisione: 1.0	
File/Cartella: TEX500\Esecutivi\Schemi Elettrici\SLSITEX500L1		Nome Parte: SPLITTER		
		Codice: SLSITEX500L1		

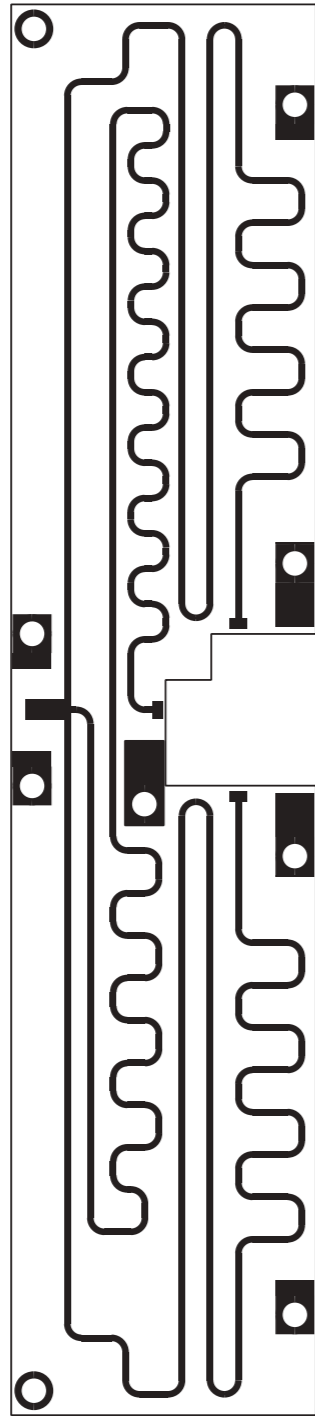


SLSITEX500L1

SPLITTER Revised: 05/04/04  
SLSITEX500L1 Revision: 1.0  
TEX500LCD  
12  
Gasperini Luca

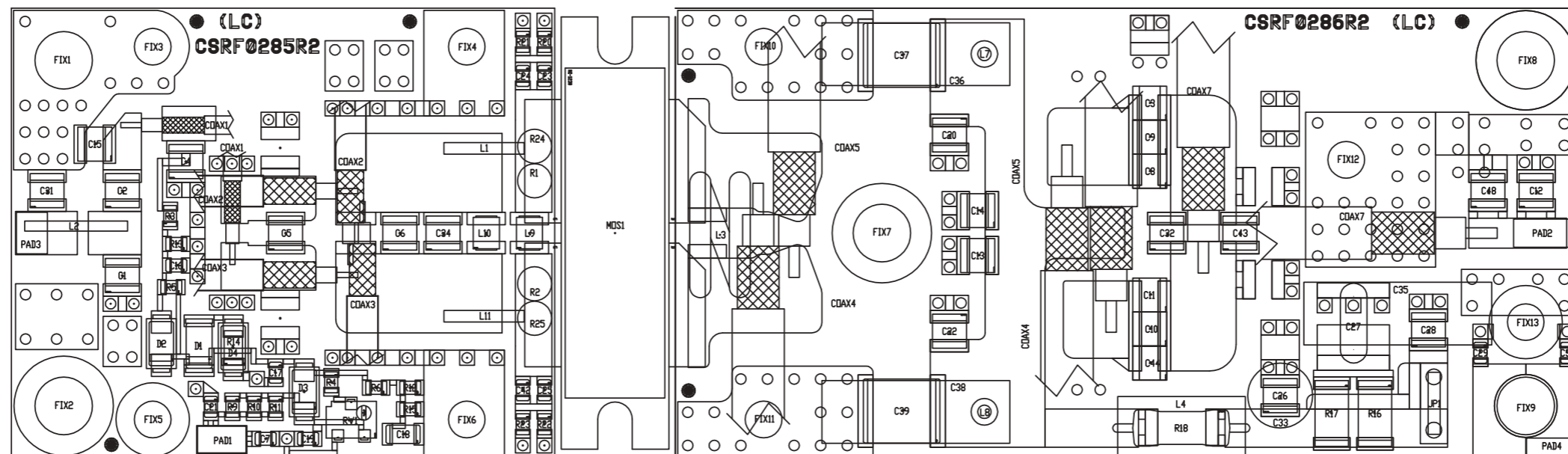
Item	Quantity	Reference	Part	Description
1	1	PAD1	PALLET1	
2	1	PAD2	PALLET2	
3	1	PAD3	DRIVER	
4	1	R7	100H_CADDOCK	
5	2	TL1, TL2	70,7H	


SLSPLETEX1KL1



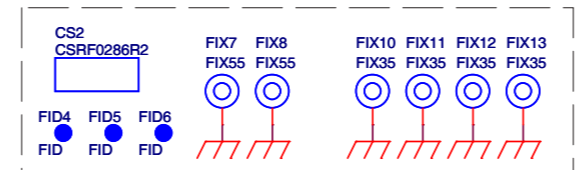
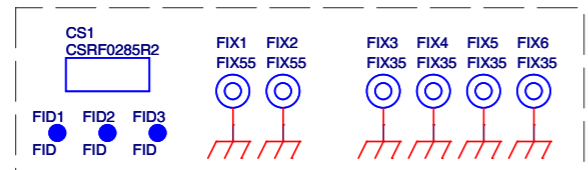
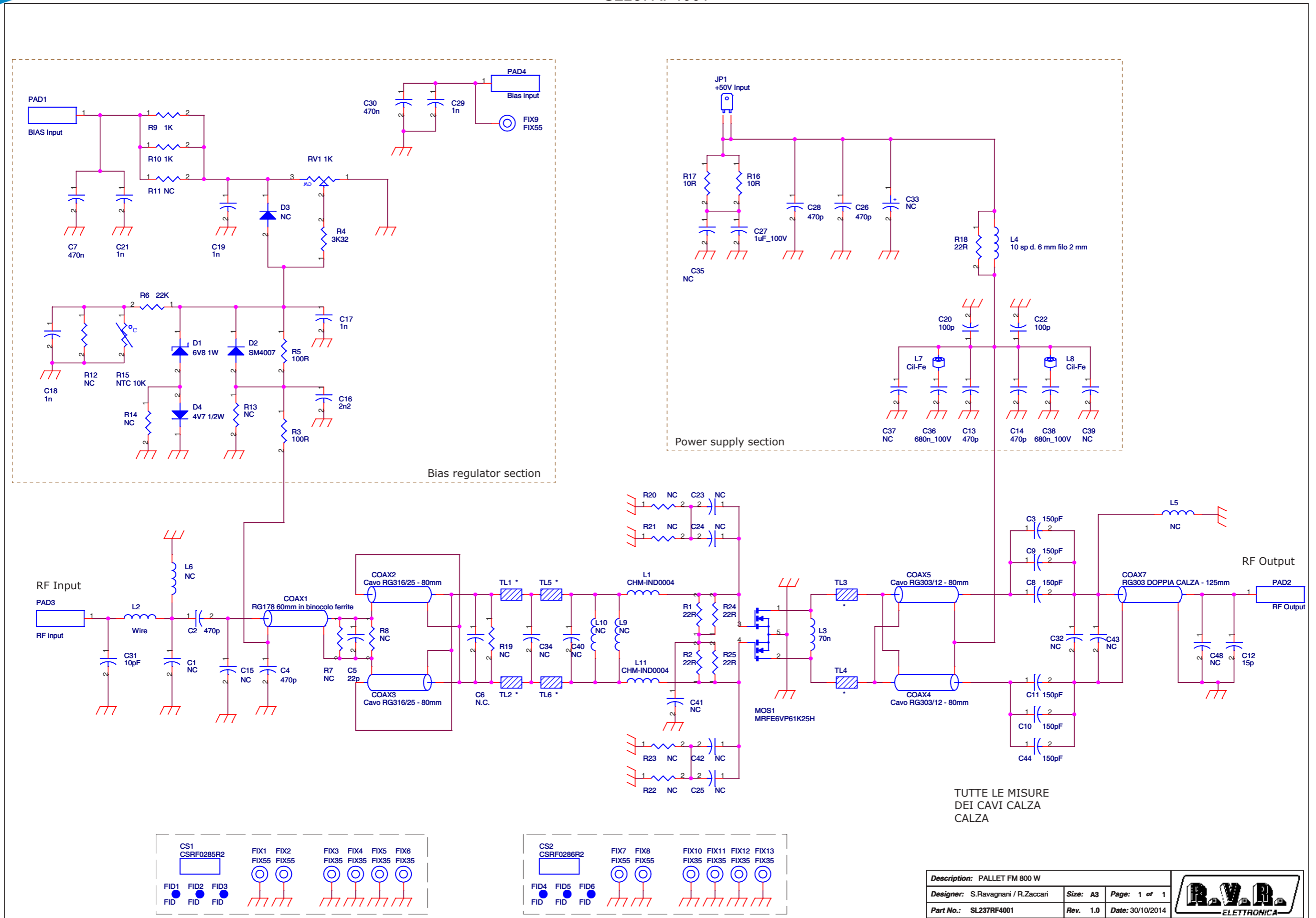
	PRODUCT NAME : TEX-TFT	PART NAME :	SPLITTER CARD			
	DESIGNER : FRANCESCHI A.	DATE : 02/11/04	REVISION : 1.0	SCALE : 1:1	SIZE : A4	PAGE : 1 DI 1
ARCHIVING : 'RVRUT' SERVER, 'RILASCIATI' FOLDER		PROJECT CODE : 252	DOCUMENT CODE : SLSPLETEX1KL1			

SL237RF4001



	NOME PROGETTO: EXCITER HIGH EFFICIENTY	NOME PARTE: PALLET FM 800 W
	AUTORE: ZACCARI / DE DONNO	DATA: 07/11/2014   REVISIONE: 1.0   SCALA: 2:1   SIZE: A3   PAGINA: 1 DI 1
ARCHIVIAZIONE ELETTRONICA: "CARTELLA RILASCIATI" SU "UTSRV"	CODICE PROGETTO: 237	CODICE DISEGNO: SL237RF4001
MATERIALE: <>	TRATTAMENTO: <>	PROFILO: <>
		STATO: ESECUTIVO

SL237RF4001



Description: PALLET FM 800 W		
Designer: S.Ravagnani / R.Zaccari	Size: A3	Page: 1 of 1
Part No.: SL237RF4001	Rev. 1.0	Date: 30/10/2014

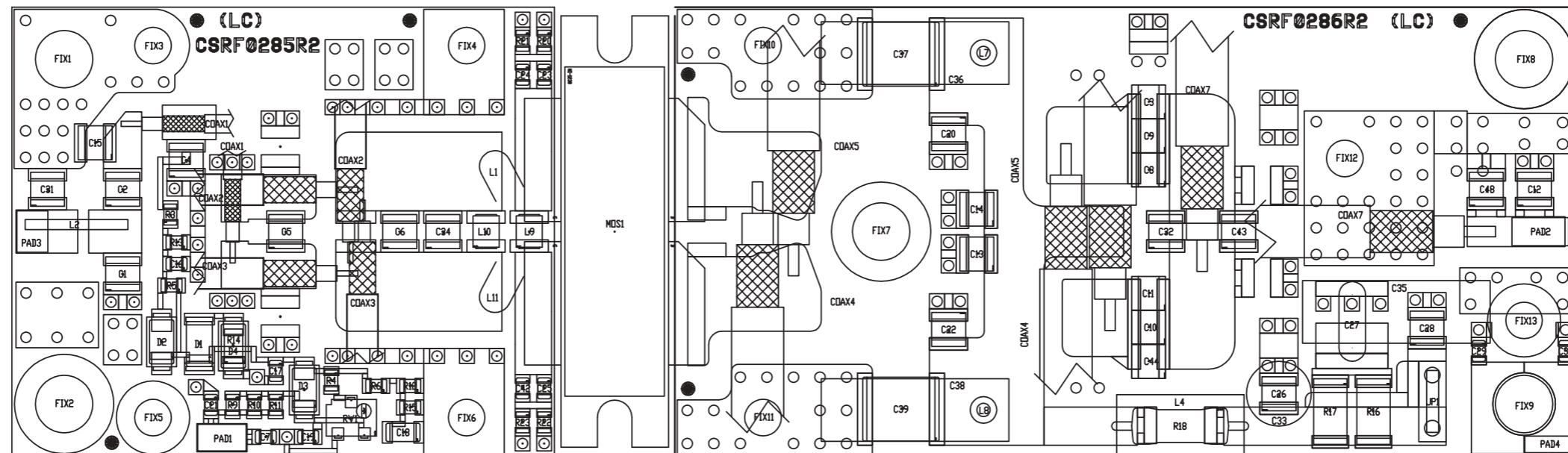


SL237RF4001

PALLET FM 800 W Revised: 30/10/2014  
 SL237RF4001 Revision: 1.0  
 S.Ravagnani / R.Zaccari

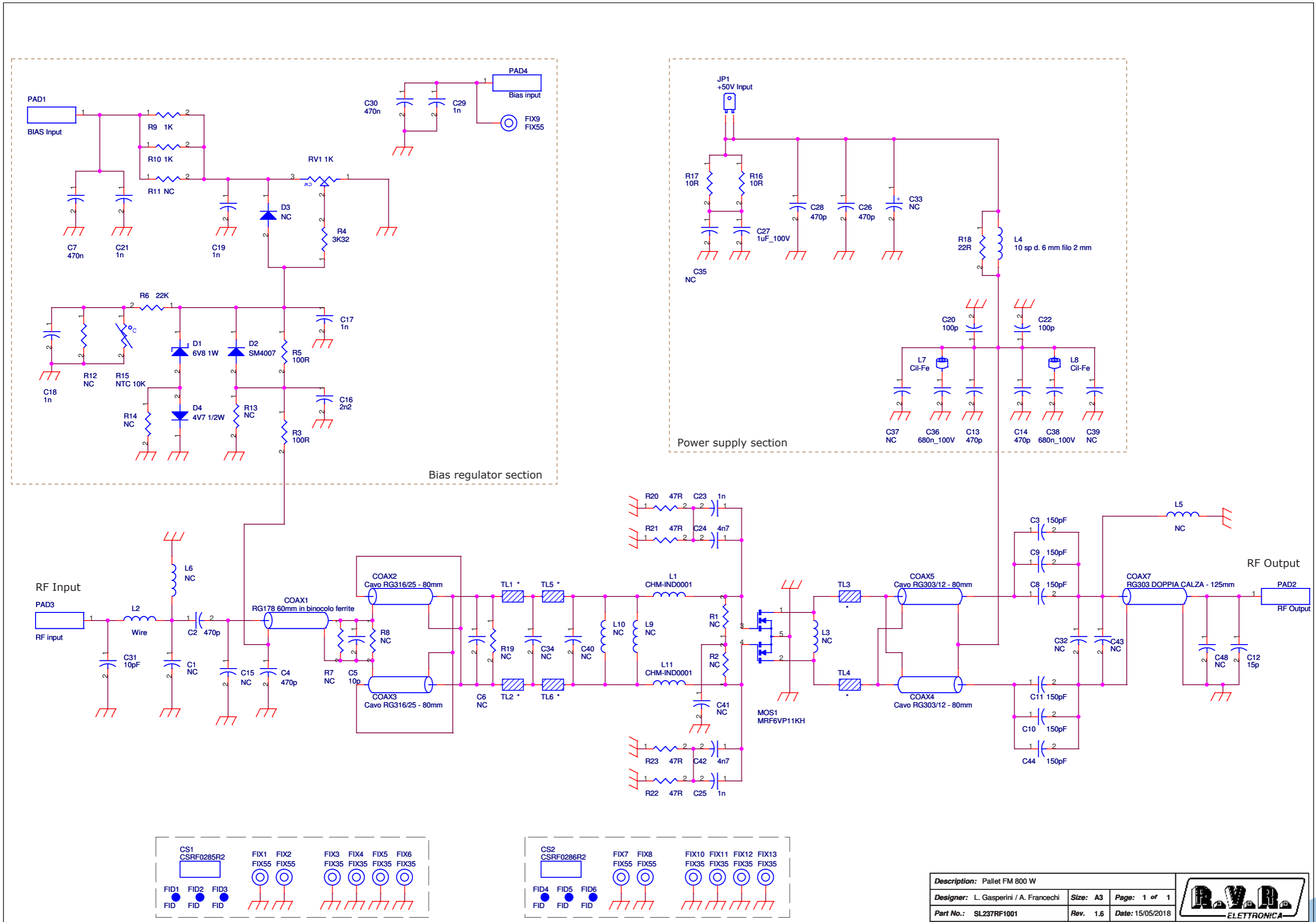
Item	Quantity	Reference	Part	(description)
1	1	COAX1	RG178 60mm in binocolo ferrite	Cavo RG178 60mm calza/calza in binocolo ferrite (73mm tot.)
2	2	COAX2, COAX3	Cavo RG316/25 - 80mm	Cavo RG316/25 80mm calza/calza (91mm tot.)
3	2	COAX5, COAX4	Cavo RG303/12 - 80mm	Cavo RG303/12 80mm calza/calza (98mm tot.)
4	1	COAX7	RG142 DOPPIA CALZA - 125mm	Cavo RG142 125mm calza/calza (147mm tot.) Vedi Info COAX7.pdf
5	1	CS1	CSRF0285R2	Circuito stampato
6	1	CS2	CSRF0286R2	Circuito stampato
7	3	C1, C23, C25	NC	Cond. SMD 0805
8	2	C2, C4	470p	Cond. SMD 1212 HQ
9	4	C13, C14, C26, C28	470p	Cond. SMD 1212 HQ
10	1	C30	470n	Cond. SMD 0805
11	1	C5	22p	Cond. SMD 1212 HQ
12	1	C6	NC	Cond. SMD 1212 HQ
13	2	C7	470n	Cond. SMD 0805
14	6	C3, C44, C8, C9, C10, C11	150pF	Cond. SMD 1212 HQ
15	1	C12	15p	Cond. SMD 1212 HQ
16	6	C15, C32, C34, C40, C43, C48	NC	Cond. SMD 1212 HQ
17	1	C16	2n2	Cond. SMD 0805 COG
18	3	C17, C19, C21	1n	Cond. SMD 0805
19	1	C18	1n	Cond. SMD 1206
20	2	C22, C20	100p	Cond. SMD 1212 HQ
21	2	C42, C24	NC	Cond. SMD 0805
22	1	C27	1uF 100V	Cond. multistrato p 5mm
23	1	C31	10pF	Cond. SMD 1212 HQ
24	1	C29	1n	Cond. SMD 0805
25	3	C36, C38	680n 100V	Cond. Poliestere p 10mm
26	2	C37, C39	NC	Cond. Poliestere p 15mm
27	1	C41	NC	Cond. multistrato p 5mm
28	1	D1	6V8 1W	MELF SMD Zener Diode
29	1	D2	SM4007	Diode SMD cont. SMA
30	1	D3	NC	Diode SMD cont. SMA
31	1	D4	4V7 1/2W	MELF SMD Zener Diode
32	6	FID1, FID2, FID3, FID4, FID5, FID6	FID	Fiducial CS
33	5	FIX1, FIX2, FIX7, FIX8, FIX9	FIX55	Foro fissaggio 5.5mm
34	8	FIX3, FIX4, FIX5, FIX6, FIX10, FIX11, FIX12, FIX13	FIX35	Foro fissaggio 3.5mm
35	1	JP1	+50V Input	Faston da CS p. 5.08
36	2	L11, L1	CHM-IND0004	Printed link on copper
37	1	L2	Wire	Filo R. Arg. 1mm lung. 10mm
38	1	L3	70n	1.5 Spire Filo R. Arg. 2mm Avvolte su 8mm Lung. 8 Alt. 5mm da PCB
39	1	L4	10 sp d. 6 mm filo 2 mm	10spire filo R. Small. 2mm Avvolte su 6mm includente R18 all'interno
40	2	L5, L9	NC	
41	1	L6	NC	
42	2	L7, L8	Cil-Fe	Cilindretto di ferrite
43	1	L10	NC	Ind. SMD 1008
44	1	MOS1	MRFE6VP61K25H	PP Power mosfet RF
45	2	PAD4, PAD1	BIAS Input	
46	1	PAD2	RF Output	
47	1	PAD3	RF input	
48	1	RV1	1K	Trimm. multi SMD PVG5 Murata
49	4	R1, R2, R24, R25	22R	Res. 2W
50	3	R7, R8, R19	NC	Res. 2W
51	2	R3, R5	100R	Res. SMD 0805 1%
52	1	R4	3K32	Res. SMD 0805 1%
53	1	R6	22K	Res. SMD 0805 1%
54	2	R10, R9	1K	Res. SMD 0805 1%
55	3	R11, R12, R13	NC	Res. SMD 0805 1%
56	1	R14	NC	Res. SMD 1206 1%
57	1	R15	NTC 10K	Res. NTC SMD 0805
58	2	R17, R16	10R	Res. SMD 2512 5%
59	1	R18	22R	Res. 2W
60	4	R20, R21, R22, R23	NC	Res. SMD 0805 1%
61	6	TL1, TL2, TL3, TL4, TL5, TL6	*	Linea strip CS
62	1		Ferrite balun	Ferrite balun

SL237RF1001



	NOME PROGETTO: EXCITER HIGH EFFICIENTY	NOME PARTE: PALLET FM 800 W			
	AUTORE: GASPERINI / TOMMASI	DATA: 21/05/2014	REVISIONE: 1.2	SCALA: 2:1	SIZE: A3
ARCHIVIAZIONE ELETTRONICA: "CARTELLA RILASCIATI" SU "UTSRV"		CODICE PROGETTO: 237	CODICE DISEGNO: SL237RF1001		
MATERIALE: <>	TRATTAMENTO: <>	PROFILO: <>	STATO: ESECUTIVO		

SL237RF1001



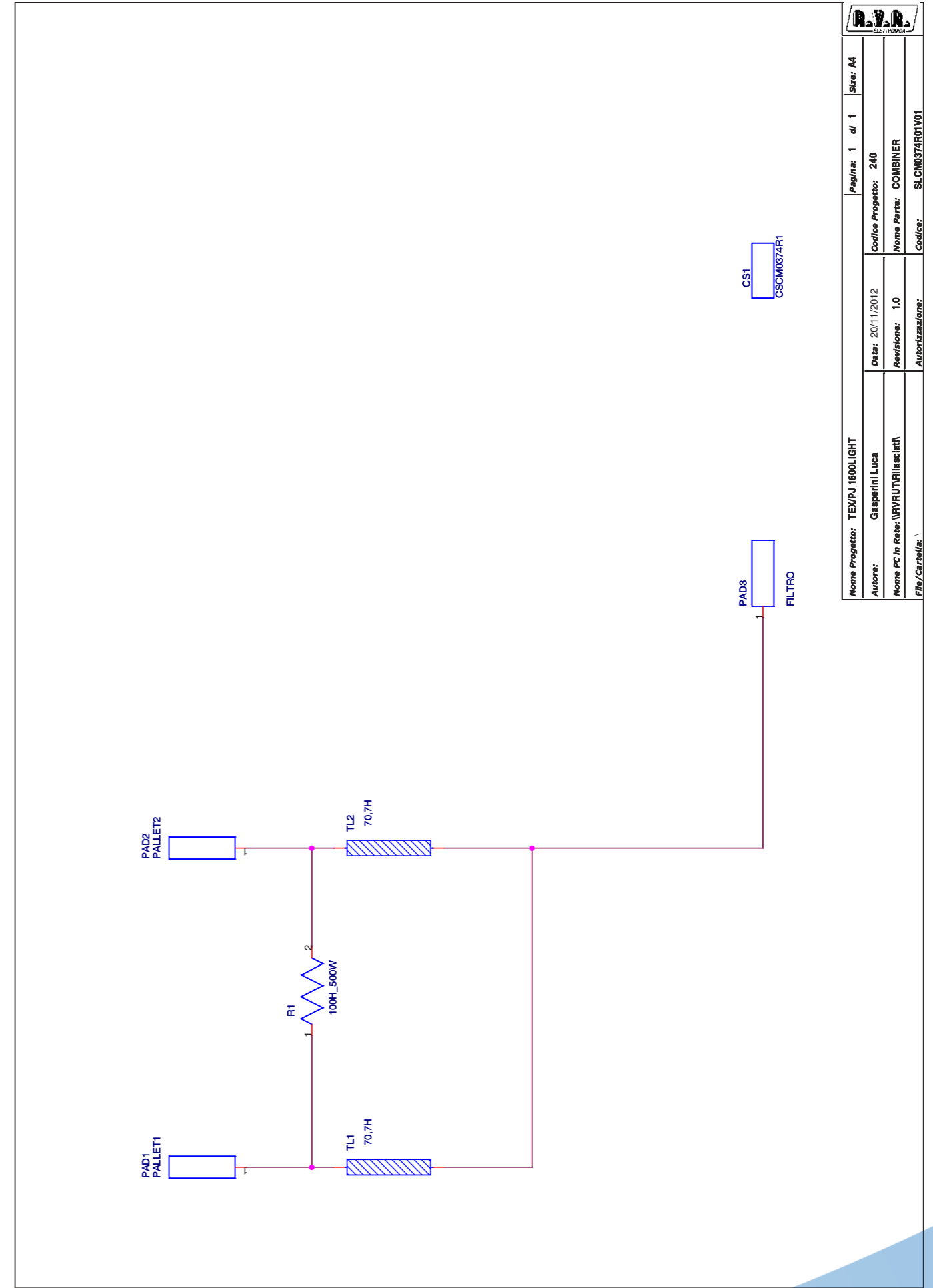
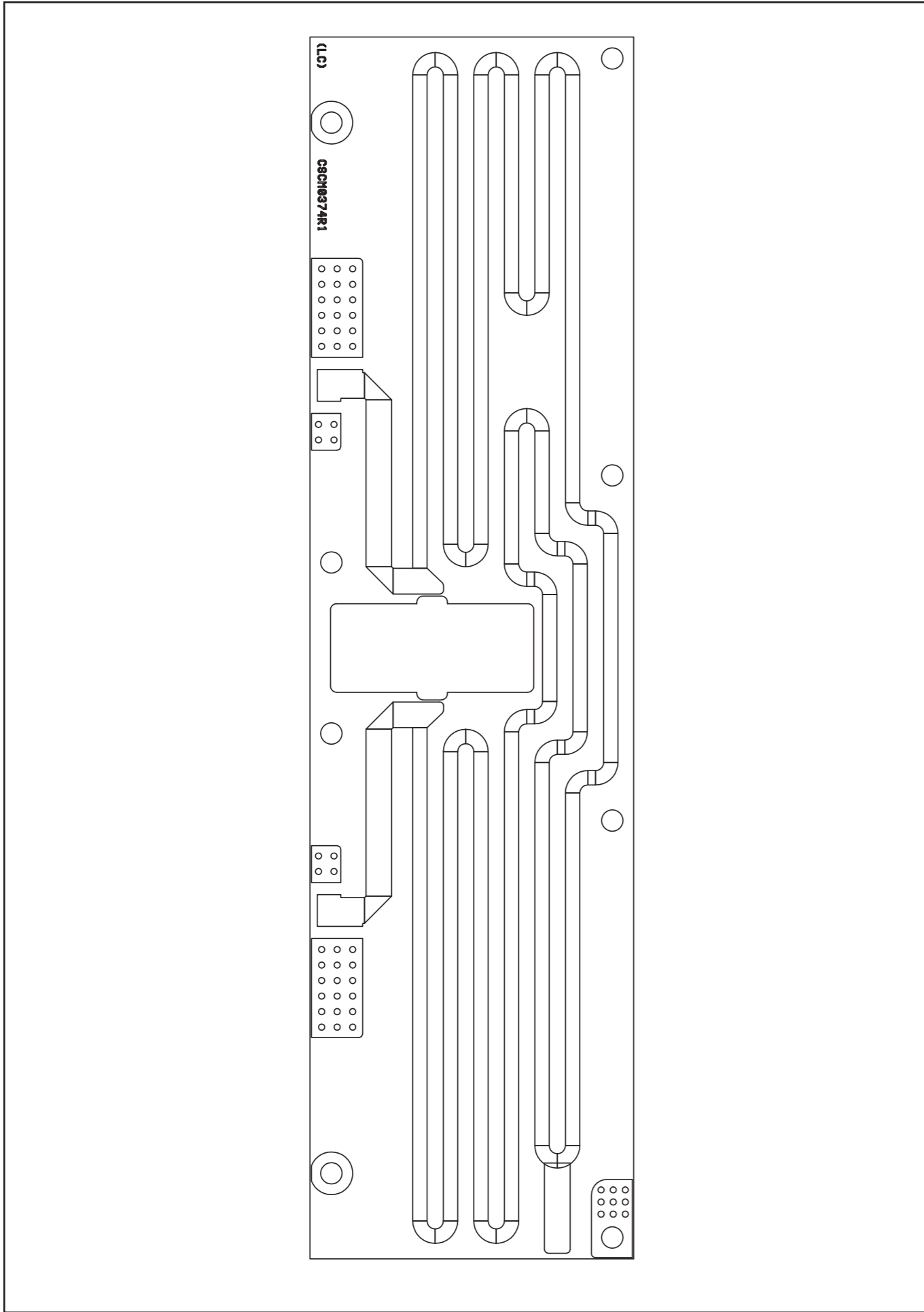
SL237RF1001

PALLET FM 800 W Revised: 15/05/2018  
 SL237RF1001 Revision: 1.6  
 L. Gasperini / A. Franceschi

Item	Quantity	Reference	Part	(description)
1	1	COAX1	RG178 60mm in binocolo ferrite	Cavo RG178 60mm calza/calza in binocolo ferrite (73mm tot.)
2	2	COAX2, COAX3	Cavo RG316/25 - 80mm	Cavo RG316/25 80mm calza/calza (91mm tot.)
3	2	COAX5, COAX4	Cavo RG303/12 - 80mm	Cavo RG303/12 80mm calza/calza (98mm tot.)
4	1	COAX7	RG142 DOPPIA CALZA - 125mm	Cavo RG142 125mm calza/calza (147mm tot.) Vedi info COAX7.pdf
5	1	CS1	CSRF0285R2	Circuito stampato
6	1	CS2	CSRF0286R2	Circuito stampato
7	1	C1	NC	Cond. SMD 0805
8	2	C2, C4	470p	Cond. SMD 1212 HQ
9	4	C13, C14, C26, C28	470p	Cond. SMD 1212 HQ
10	1	C30	470n	Cond. SMD 0805
11	2	C5, C31	22p	Cond. SMD 1212 HQ
12	2	C7	470n	Cond. SMD 0805
13	6	C3, C44, C8, C9, C10, C11	150pF	Cond. SMD 1212 HQ
14	1	C12	15p	Cond. SMD 1212 HQ
15	6	C15, C32, C34, C40, C43, C48, C6	NC	Cond. SMD 1212 HQ
16	1	C16	2n2	Cond. SMD 0805 COG
17	5	C17, C19, C21, C23, C25	1n	Cond. SMD 0805
18	1	C18	1n	Cond. SMD 1206
19	2	C22, C20	100p	Cond. SMD 1212 HQ
20	2	C42, C24	4n7	Cond. SMD 0805
21	1	C27	1uF_100V	Cond. multistrato p 5mm
22	1	C29	1n	Cond. SMD 0805
23	3	C36, C38	680n_100V	Cond. Poliestere p 10mm
24	2	C37, C39	NC	Cond. Poliestere p 15mm
25	1	C41	NC	Cond. multistrato p 5mm
26	1	D1	6V8 1W	MELF SMD Zener Diode
27	1	D2	SM4007	Diode SMD cont. SMA
28	1	D3	NC	Diode SMD cont. SMA
29	1	D4	4V7 1/2W	MELF SMD Zener Diode
30	6	FID1, FID2, FID3, FID4, FID5, FID6	FID	Fiduciali CS
31	5	FIX1, FIX2, FIX7, FIX8, FIX9	FIX55	Foro fissaggio 5.5mm
32	8	FIX3, FIX4, FIX5, FIX6, FIX10, FIX11, FIX12, FIX13	FIX35	Foro fissaggio 3.5mm
33	1	JP1	+50V Input	Faston da CS p. 5.08
34	2	L11, L1	CHM-IND0001	Printed link on copper
35	1	L2	Wire	Filo R. Arg. 1mm lung. 10mm
36	1	L3	NC	
37	1	L4	10 sp d. 6 mm filo 2 mm	10spire filo R. Smalt. 2mm Avvolte su 6mm includente R18 all'interno
38	2	L5, L9	NC	
39	1	L6	NC	
40	2	L7, L8	Cil-Fe	Cilindretto di ferrite
41	1	L10	NC	Ind. SMD 1008
42	1	MOS1	MRF6VP11KH	PP Power mosfet RF
43	2	PAD4, PAD1	BIAS Input	
44	1	PAD2	RF Output	
45	1	PAD3	RF input	
46	1	RV1	1K	Trimm. multi SMD PVG5 Murata
47	5	R1, R2, R7, R8, R19	NC	Res. 2W
48	2	R3, R5	100R	Res. SMD 0805 1%
49	1	R4	3K32	Res. SMD 0805 1%
50	1	R6	22K	Res. SMD 0805 1%
51	2	R10, R9	1K	Res. SMD 0805 1%
52	3	R11, R12, R13	NC	Res. SMD 0805 1%
53	1	R14	NC	Res. SMD 1206 1%
54	1	R15	NTC 10K	Res. NTC SMD 0805
55	2	R17, R16	10R	Res. SMD 2512 5%
56	1	R18	22R	Res. 2W
57	4	R20, R21, R22, R23	47R	Res. SMD 0805 1%
58	6	TL1, TL2, TL3, TL4, TL5, TL6	*	Linea strip CS
59	1		Ferrite balun	Ferrite balun



SLCM0374R01V01



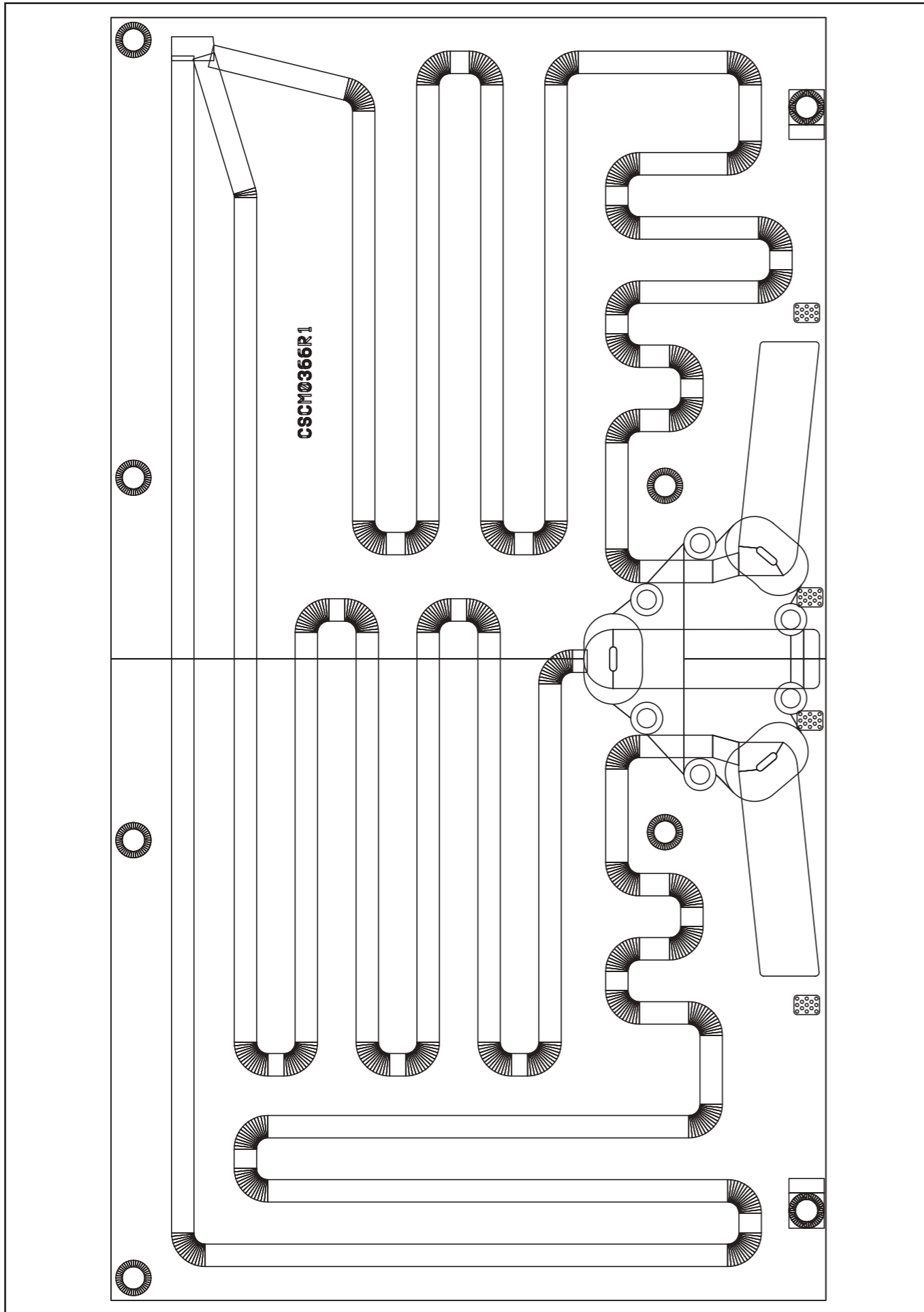
Nome Progetto: TEX/PJ 1600LIGHT	Pagina: 1	di 1	Size: A4
Autore: Gasparini Luca	Codice Progetto: 240	Data: 20/11/2012	
Nome PC in Rete: \RV\RVUTR\lascisti\	Revisione: 1.0	Nome Parte: COMBINER	
File/Cartella: \	Autore: SLCM0374R01V01	Codice: SLCM0374R01V01	

SLCM0374R01V01

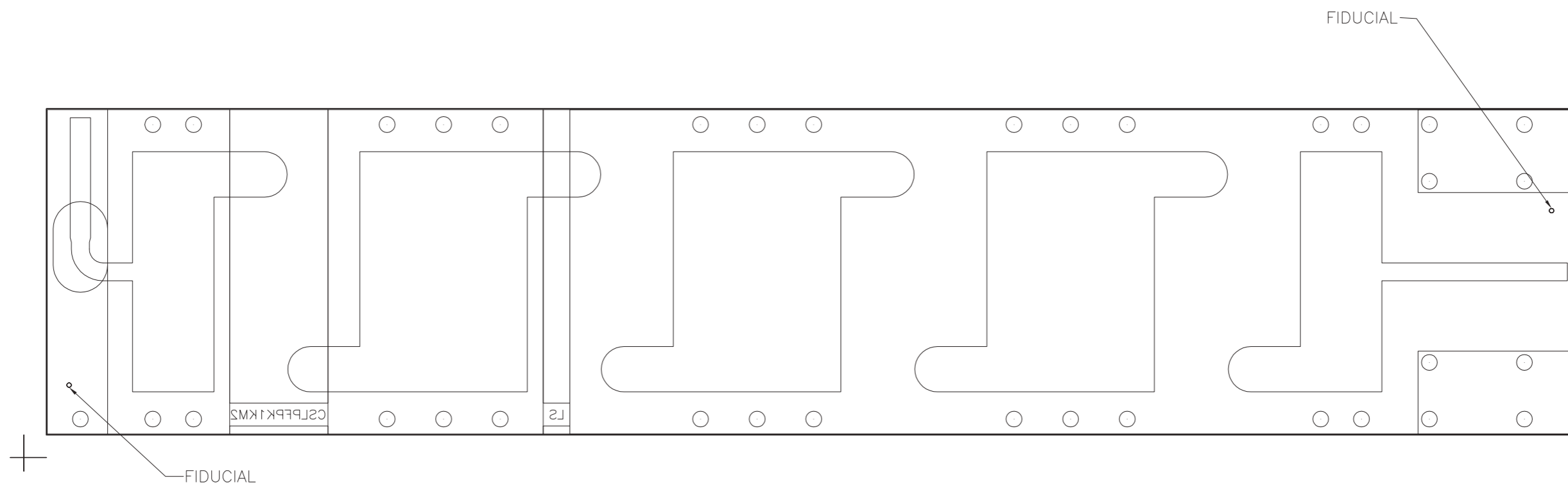
COMBINER Revised: 20/11/2012  
 SLCM0374R01V01 Revision: 1.0  
 TEX/PJ 1600LIGHT  
 240  
 Gasperini Luca

Item	Quantity	Reference	Part	Description
1	1	PAD1	PALLET1	
2	1	PAD2	PALLET2	
3	1	PAD3	FILTRO	
4	1	R1	100H_500W	Resistenza KDI 2 fix
5	2	TL1, TL2	70,7H	Linea strip CS
6	1	CS1	CSCM0374R1	Circuito Stampato

SLCMBTEX2KL1



REF	Q.TA	DIAM	TRATTAMENTO
○	35	3.50	NESSUNO

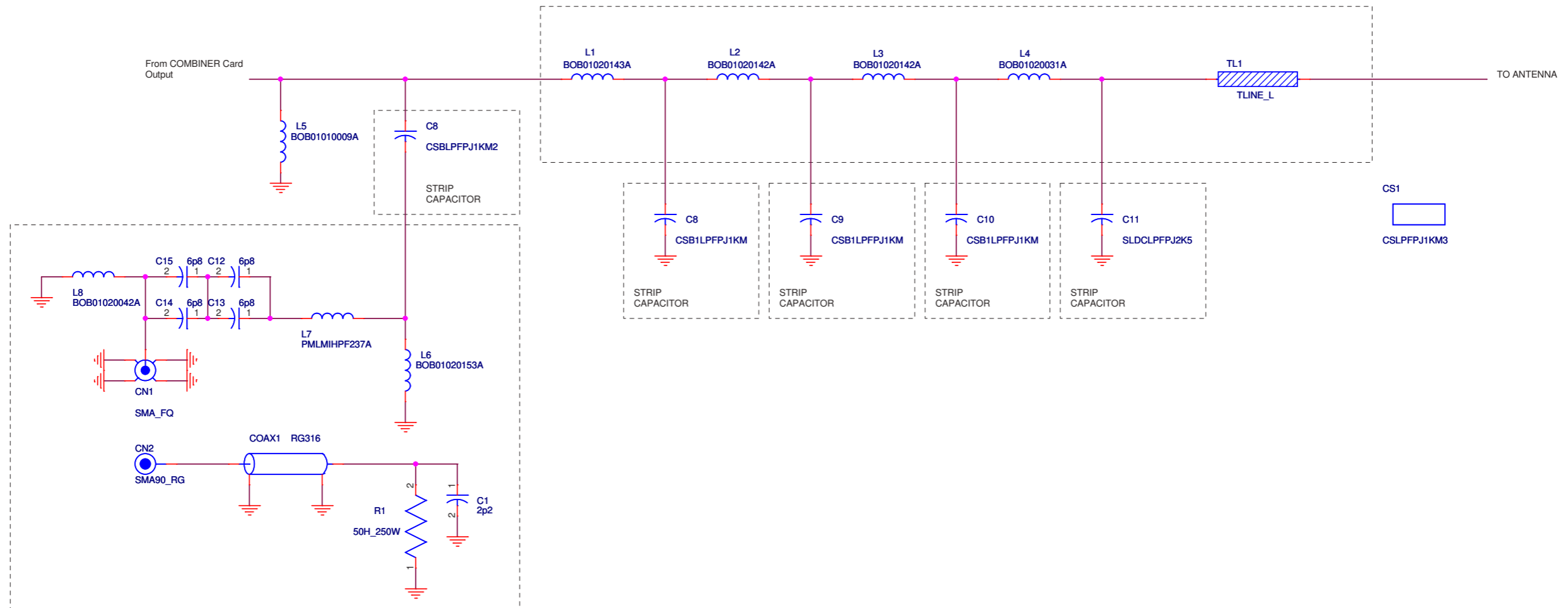
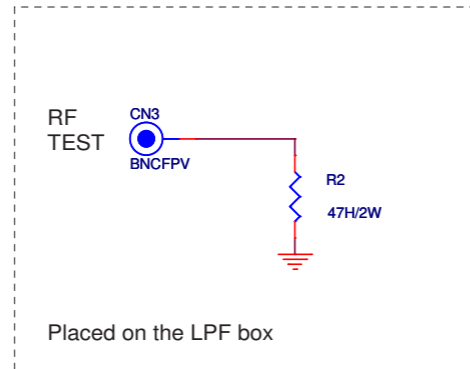


LATO COMPONENTI VISTA LATO COMPONENTI  
 LATO SALDATURA VISTA LATO COMPONENTI  
 PIANO DI FORATURA  
 BORDO SCHEDA

Dimensioni del C.S.: 339.50x72.00mm

1.1	27/03/06	D.Miladinovic	L.Gasperini	N31 CMP/04	Aggiunta asola 12x20 sul lato saldature
		DENOMINAZIONE			
		Circuito Stampato Filtro Passa Basso			
MATERIALE		DISPOSITIVO			
		PJ1000M (1000W Mos-Fet Amplifier)			
TRATTAMENTO		Diclad 527 Doppia Faccia Sp. 1.6mm Rame 70/70		DISEGNATO	DISEGNO
		Argentatura		D'Alessio D. li 07/04/2001	CSLPPFJ1KM2
		SCALA 1:1		TAVOLA n 1 di 1	

SLLPFTEX2K5



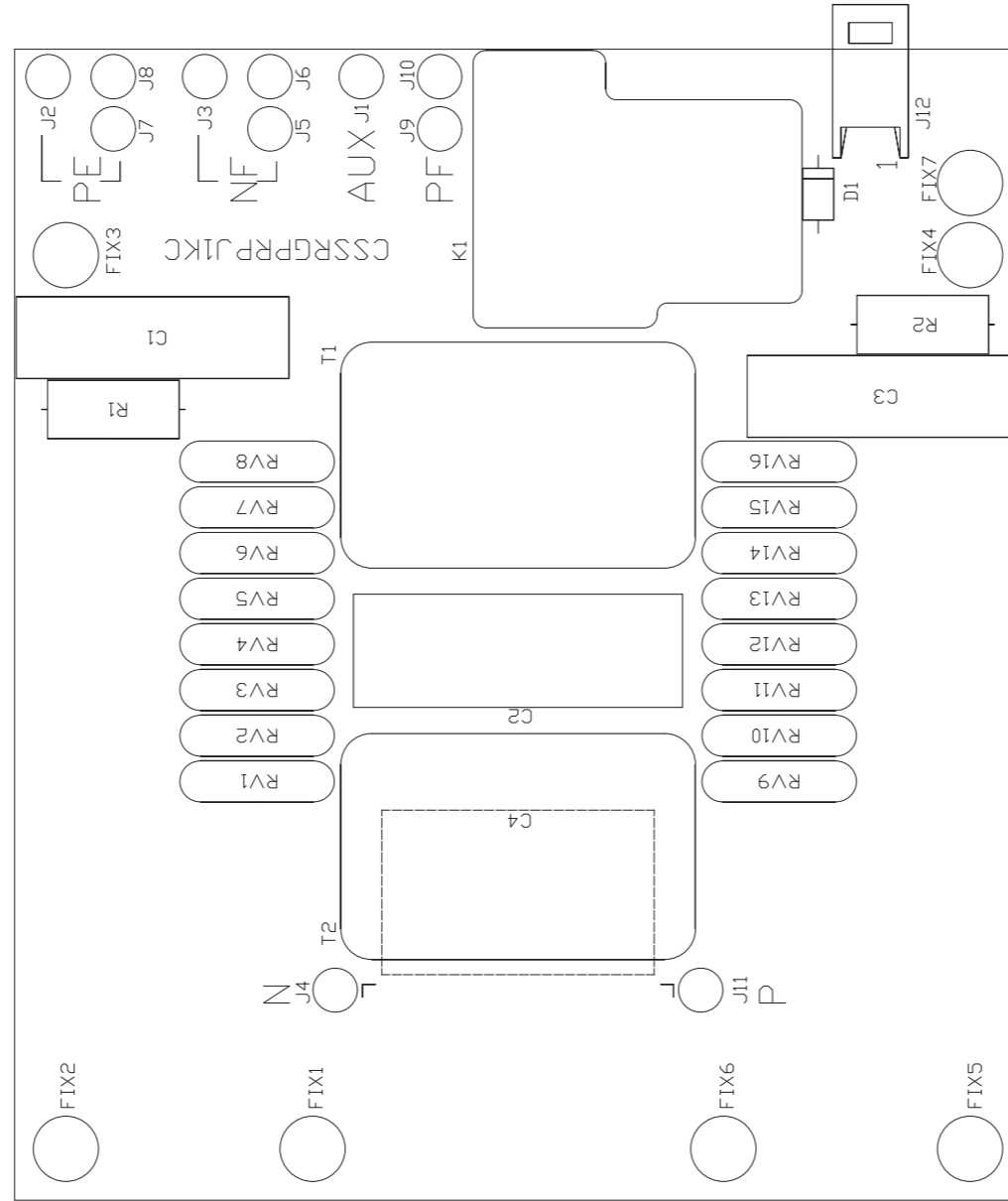
Description: Low Pass Filter			
Designer: Franceschi A.	Size: A3	Page: 1 of 1	
Part No.: SLLPFTEX2K5	Rev. 1.2	Date: 21/05/2013	

SLLPFTEX2K5

Low Pass Filter Revised: Tuesday, May 21, 2013  
 SLLPFTEX2K5 Revision: 1.2  
 Franceschi A.

Item	Quantity	Reference	Part	Description
1	1	CN1	SMA_FQ	
2	1	CN2	SMA90_RG	
3	1	CN3	BNCFPV	
4	1	COAX1	RG316	
5	1	CS1	CSLPFPJ1KM3	
6	1	C1	2p2	
7	1	C8	CSBLPFPJ1KM2	
8	3	C8, C9, C10	CSB1LPFPJ1KM	
9	1	C11	SLDCLPFPJ2K5	
10	4	C12, C13, C14, C15	6p8	
11	1	L1	BOB01020143A	
12	2	L2, L3	BOB01020142A	
13	1	L4	BOB01020031A	
14	1	L5	BOB01010009A	
15	1	L6	BOB01020153A	
16	1	L7	PMLMIHPF237A	
17	1	L8	BOB01020042A	
18	1	R1	50H_250W	
19	1	R2	47H/2W	
20	1	TL1	TLINE_L	

SLSRGPRPJ1KM



PRODUCT NAME : TEX-TFT

DESIGNER : FRANCESCHI A.

ARCHIVING : "RVUT" SERVER, "RILASCIATI" FOLDER

PART NAME : SURGE PROTECTION CARD

DATE : 22/11/05

REVISION : 1.2

SCALE : 1:1

SIZE : A4

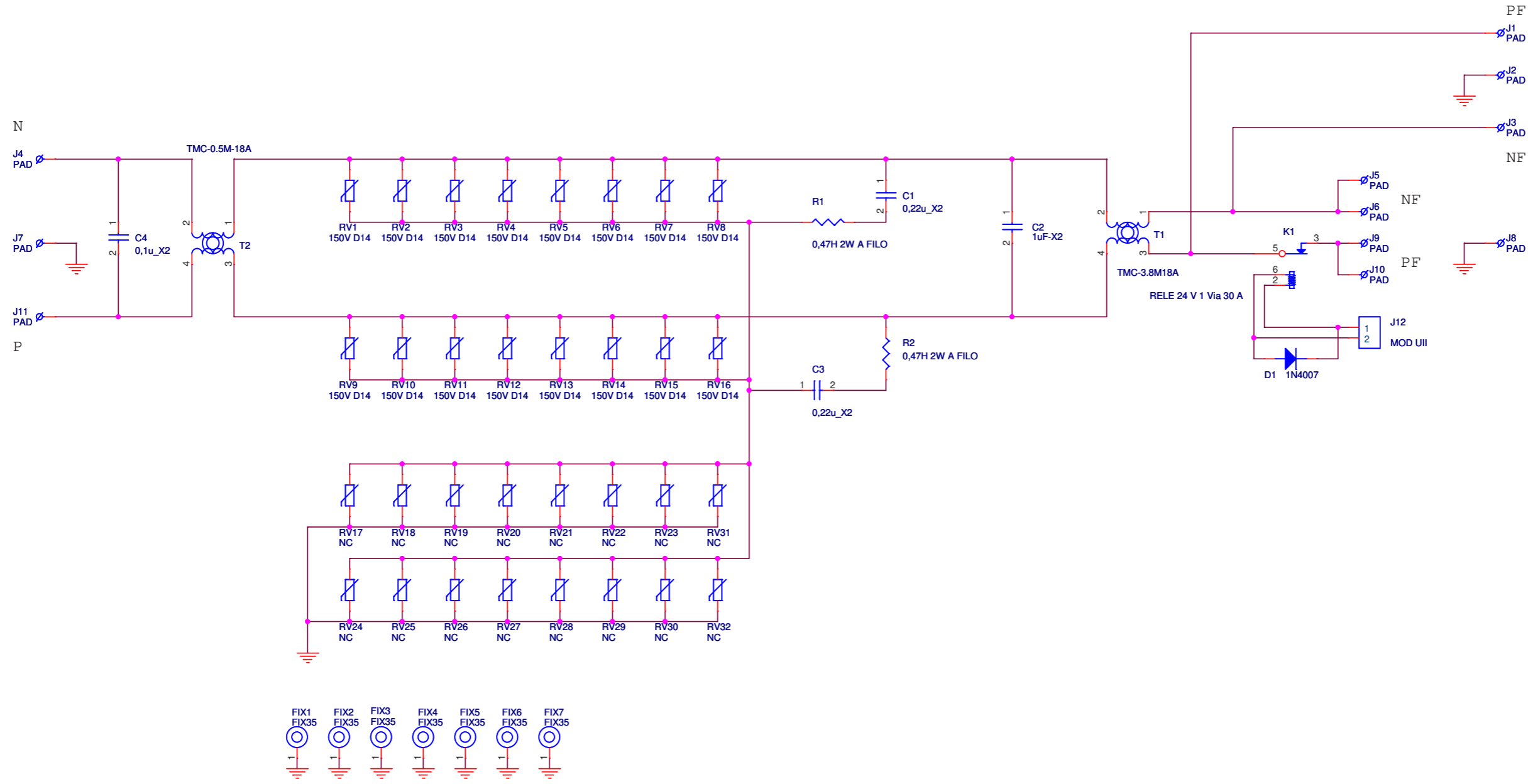
PAGE : 1

DI : 1

DOCUMENT CODE : SLSRGPRPJ1KM

PROJECT CODE : 252

SLSRGPRPJ1KM



Description: Surge Protection Card			
Designer: Franceschi A.	Size: A3	Page: 1 of 1	
Part No.: SLSRGPRPJ1KM	Rev. 1.2	Date: 09/02/2006	

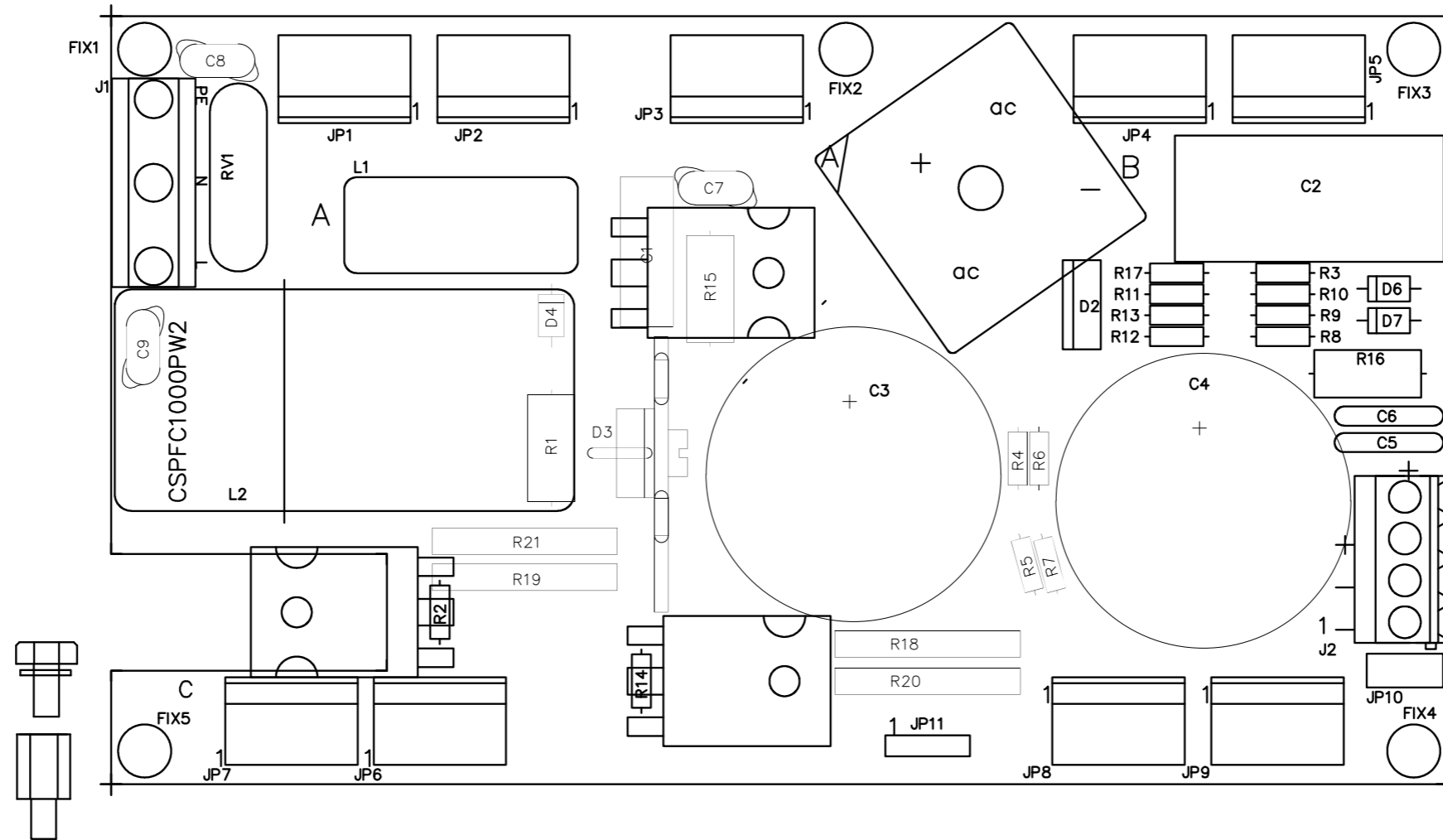


SLSRGPRPJ1KM

Surge Protection Card Revised: 09/02/2006  
 SLSRGPRPJ1KM Revision: 1.2  
 Franceschi A.

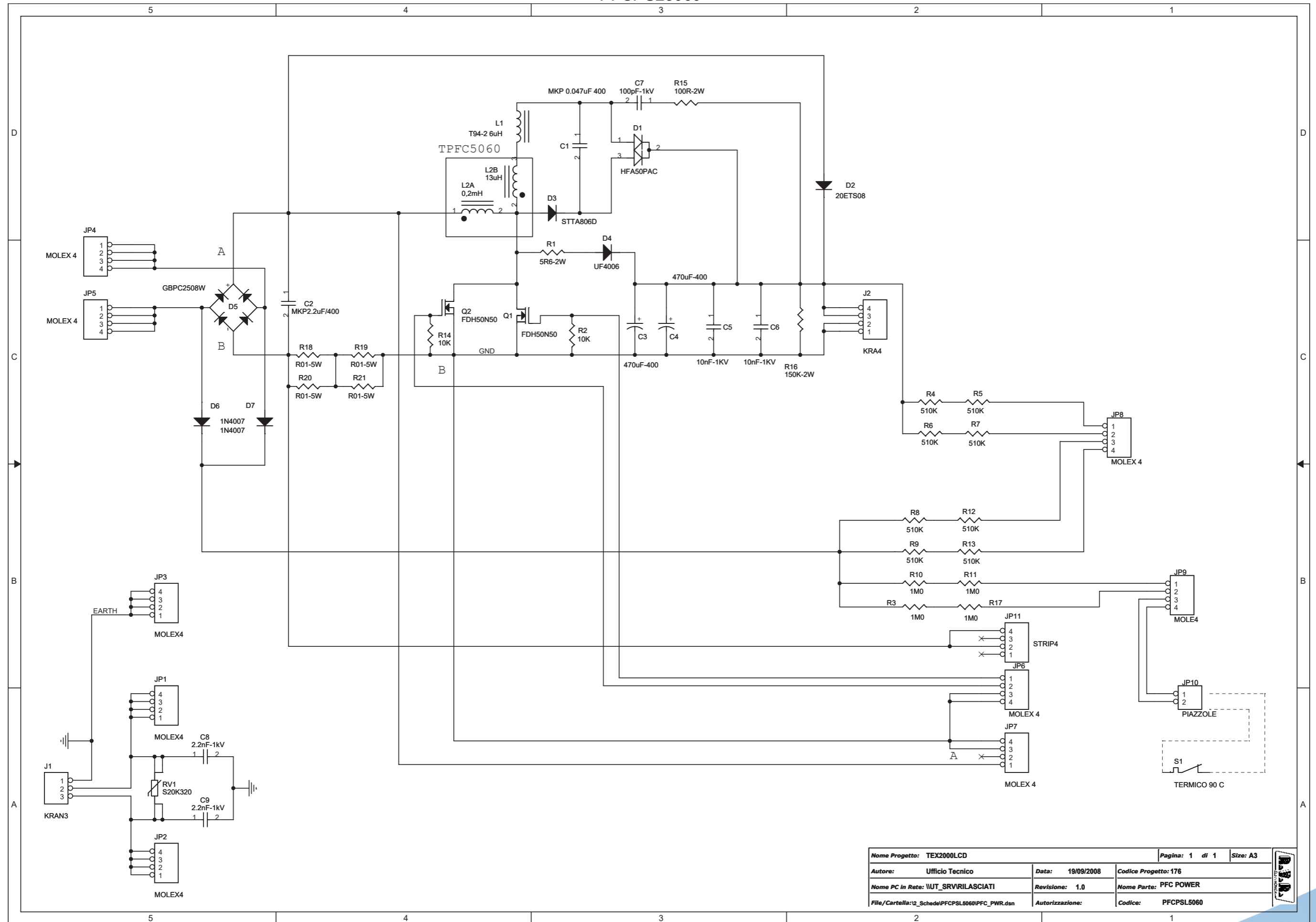
Item	Quantity	Reference	Part
1	2	C1, C3	0,22u_X2
2	1	C2	1uF-X2
3	1	C4	0,1u_X2
4	1	D1	1N4007
5	7	FIX1, FIX2, FIX3, FIX4, FIX5, FIX6, FIX7	FIX35
6	11	J1, J2, J3, J4, J5, J6, J7, J8, J9, J10, J11	PAD
7	1	J12	MOD UII
8	1	K1	RELE 24 V 1 Via 30 A
9	16	RV1, RV2, RV3, RV4, RV5, RV6, RV7, RV8, RV9, RV10, RV11, RV12, RV13, RV14, RV15, RV16	150V D14
10	2	R2, R1	0,47H 2W A FILO
11	1	T1	TMC-3.8M18A
12	1	T2	TMC-0.5M-18A

FFCPSL5060



ARCHIVIO: X:\WORKDWG\	
TITLE PIANO DI MONTAGGIO POWER PFC x5060	
DOCUMENT NUMBER PFC1000PW_5060.DWG	REV
DATE: 23 GIUGNO 2008	

**PFPCSL5060**



Nome Progetto: TEX2000LCD		Pagina: 1 di 1	Size: A3
Autore: Ufficio Tecnico	Data: 19/09/2008	Codice Progetto: 176	
Nome PC in Rete: \WUT_SRV\RIASCIATI	Revisione: 1.0	Nome Parte: PFC POWER	
File/Cartella: \2_Schede\PFPCSL5060\PFC_PWR.dsn	Autorizzazione:	Codice: PFPCSL5060	

PFCPSL5060

PFC POWER Revised: Monday, October 06, 2008

PFCPSL5060 Revision: 1.0

TEX2000LCD

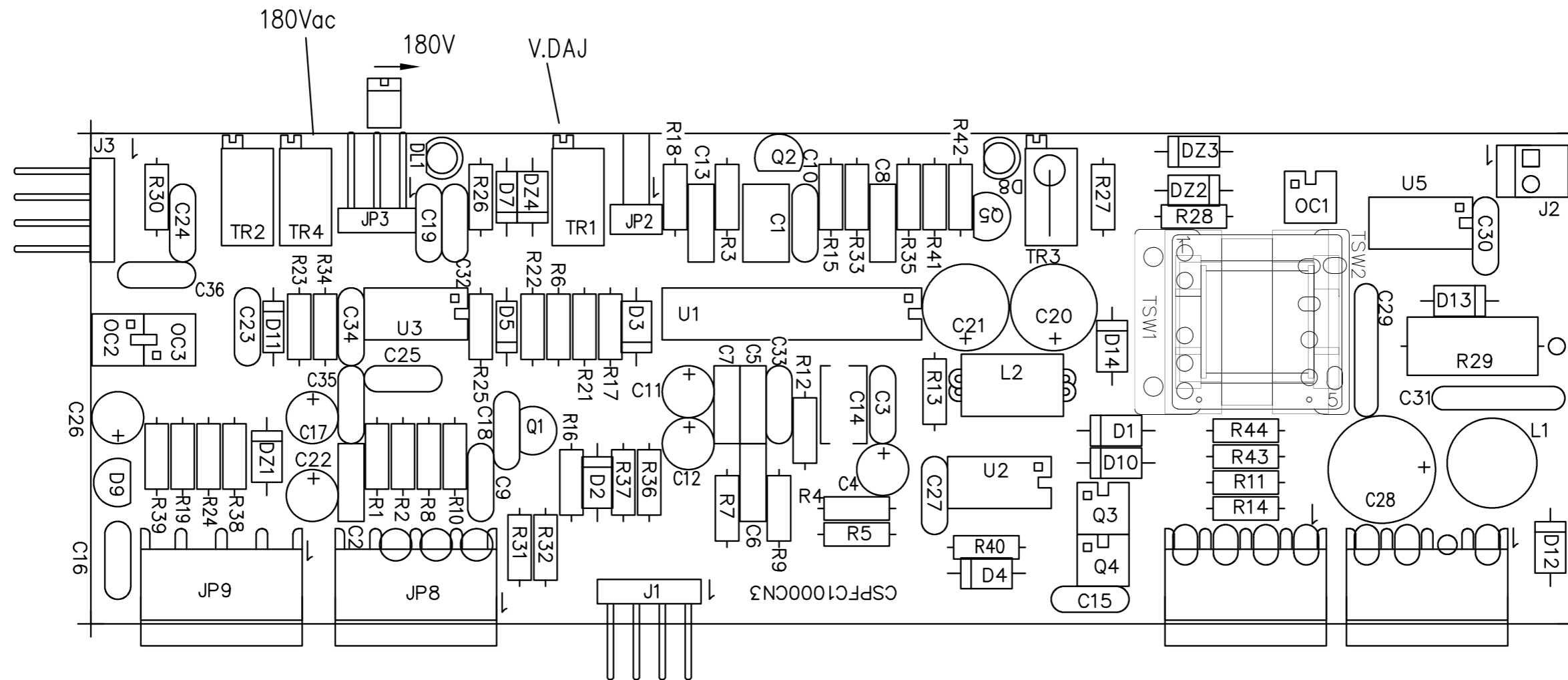
176

Ufficio Tecnico

Item	Quantity	Reference	Part
1	1	C1	MKP 0.047uF 400
2	1	C2	MKP2.2uF/400
3	2	C3, C4	470uF-400
4	2	C5, C6	10nF-1KV
5	1	C7	100pF-1kV
6	2	C8, C9	2.2nF-1kV
7	1	D1	HFA50PAC
8	1	D2	20ETS08
9	1	D3	STTA806D
10	1	D4	UF4006
11	1	D5	GBPC2508W
12	2	D6, D7	1N4007
13	3	JP1, JP2, JP3	MOLEX4
14	5	JP4, JP5, JP6, JP7, JP8	MOLEX 4
15	1	JP9	MOLE4
16	1	JP10	PIAZZOLE
17	1	JP11	STRIP4
18	1	J1	KRAN3
19	1	J2	KRA4
20	1	L1	T94-2 6uH
21	1	L2	0,2mH
22	2	Q1, Q2	FDH50N50
23	1	RV1	S20K320
24	1	R1	5R6-2W
25	2	R2, R14	10K
26	4	R3, R10, R11, R17	1M0
27	8	R4, R5, R6, R7, R8, R9, R12, R13	510K
28	1	R15	100R-2W
29	1	R16	150K-2W
30	4	R18, R19, R20, R21	R01-5W
31	1	S1	TERMICO 90 C

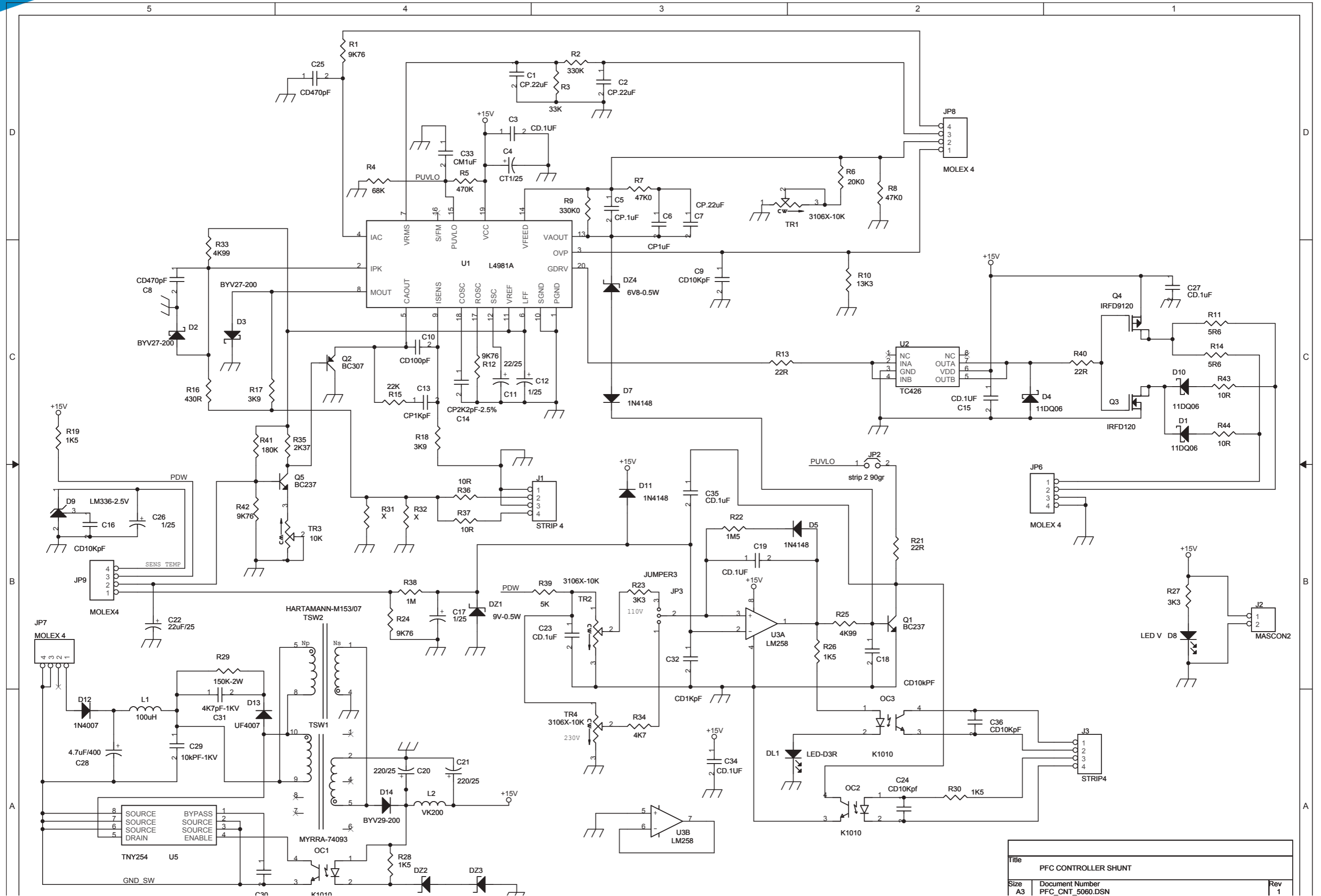
PFPCSL5060

JP3 = 1-2 EUROPE  
JP3 = 2-3 NOT POSSIBLE



ARCHIVIO: X:\WORKDWG\	
TITLE PIANO DI MONTAGGIO PFC1000 CONTROLLO X 5060	
DOCUMENT NUMBER	PFC1000CNT_5060 REV
DATE:	23 giugno 2008

PFPCPSL5060



Title	PFC CONTROLLER SHUNT	
Size	Document Number	Rev
A3	PFC_CNT_5060.DSN	1

PFCPSL5060

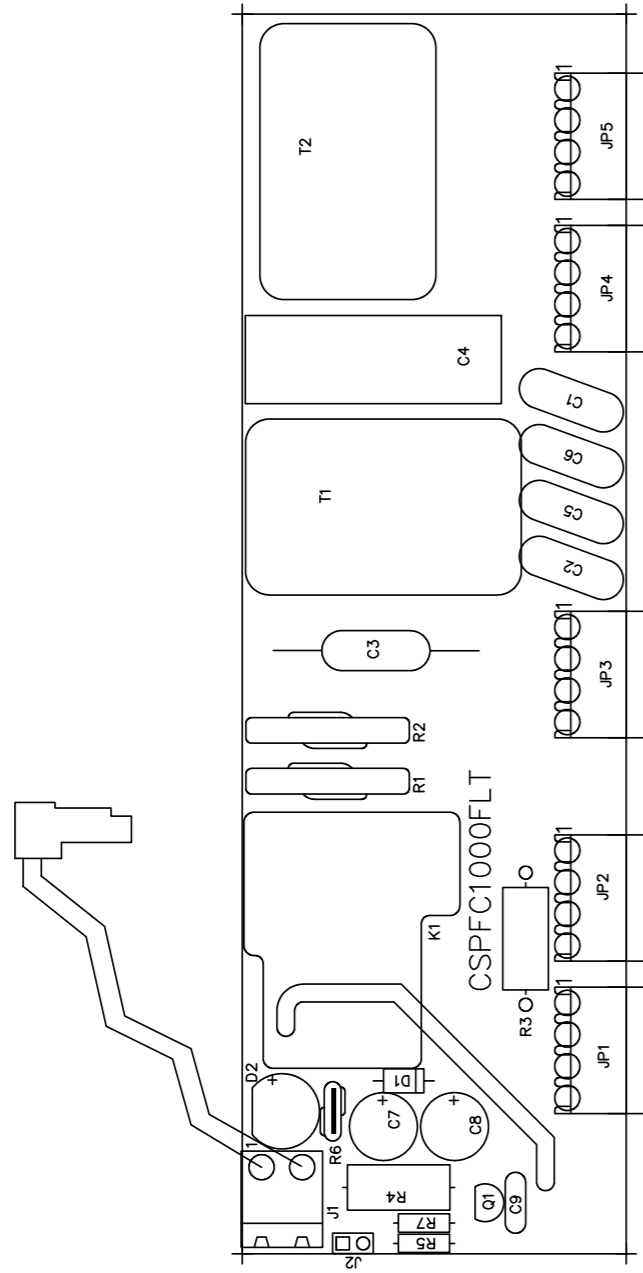
PFC CONTROLLER SHUNT Revised: Monday, June 23, 2008  
 PFC\_CNT\_5060.DSN Revision: 1

Bill of Materials September 4,2009 15:01:58 Page1

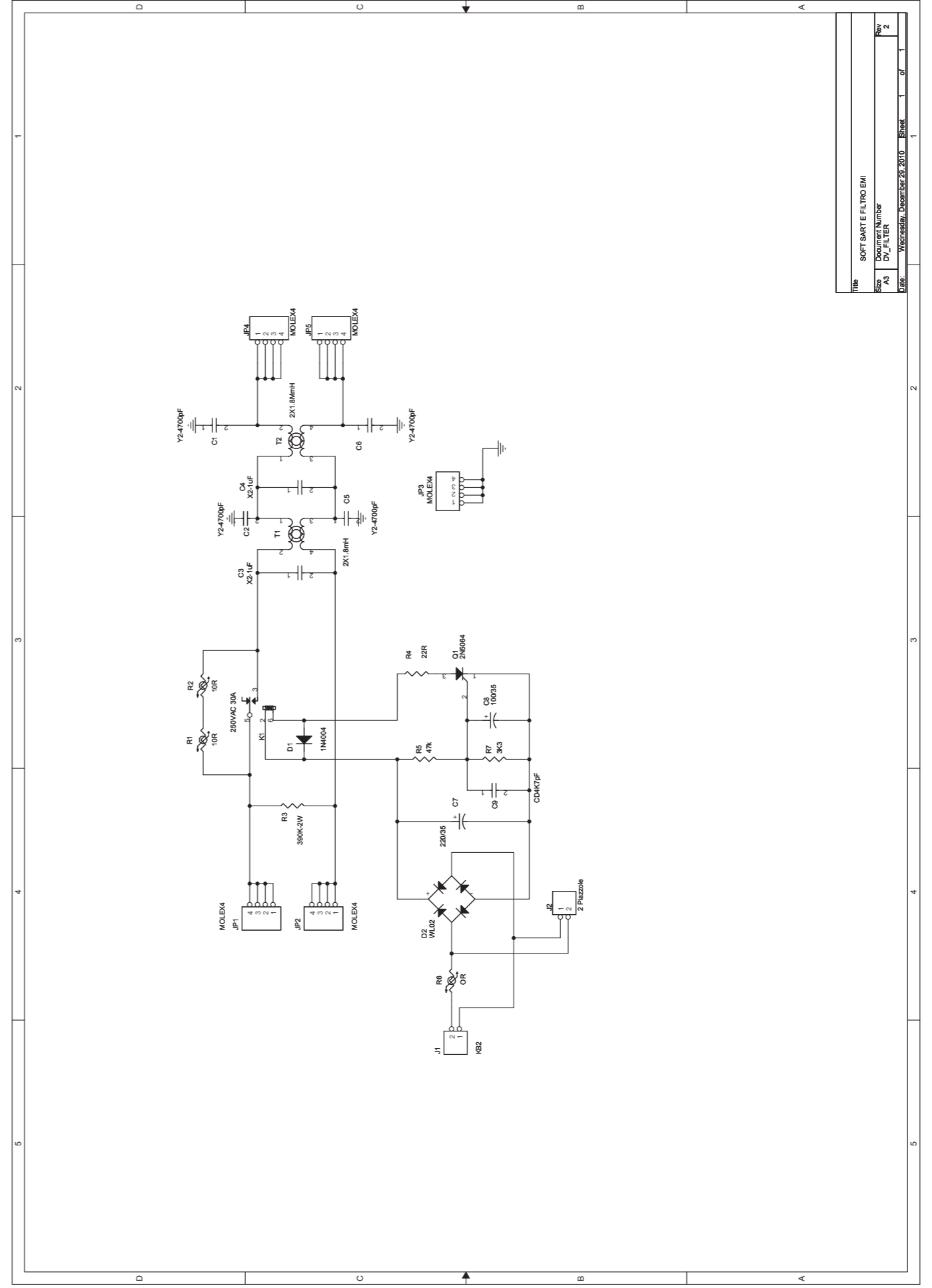
Item	Quantity	Reference	Part
1	3	C1	CP.22uF
		C2	CP.22uF
		C7	CP.22uF
2	8	C3	CD.1uF
		C15	CD.1uF
		C19	CD.1uF
		C23	CD.1uF
		C27	CD.1uF
		C30	CD.1uF
		C34	CD.1uF
		C35	CD.1uF
3	1	C4	CT1/25
4	1	C5	CP.1uF
5	1	C6	CP1uF
6	2	C8	CD470pF
		C25	CD470pF
7	5	C9	CD10kpf
		C16	CD10kpf
		C18	CD10kPF
		C24	CD10kpf
		C36	CD10kpf
8	1	C10	CD100pF
9	1	C11	22/25
10	3	C12	1/25
		C17	1/25
		C26	1/25
11	1	C13	CP1kpf
12	1	C14	CP2K2pF-2.5%
13	2	C21	220/25
		C20	220/25
14	1	C22	22uF/25
15	1	C28	4.7uF/400
16	1	C29	10kPF-1KV
17	1	C31	4k7pF-1KV
18	1	C32	CD1kpf
19	1	C33	CM1uF
20	1	DL1	LED-D3R
21	2	DZ1	9V-0.5w
		DZ2	9V-0.5w
22	1	DZ3	5V1-0.5w
23	1	DZ4	6V8-0.5w
24	3	D1	11DQ06
		D4	11DQ06
		D10	11DQ06
25	2	D2	BYV27-200
		D3	BYV27-200
26	3	D5	1N4148
		D7	1N4148
		D11	1N4148
27	1	D8	LED V
28	1	D9	LM336-2.5V
29	1	D12	1N4007
30	1	D13	UF4007
31	1	D14	BYV29-200
32	1	JP2	strip 2 90gr
33	1	JP3	JUMPER3

34	3	JP6	MOLEX 4
		JP7	MOLEX 4
		JP8	MOLEX 4
35	1	JP9	MOLEX4
36	1	J1	STRIP 4
37	1	J2	MASCON2
38	1	J3	STRIP4
39	1	L1	100uH
40	1	L2	VK200
41	3	OC1	K1010
		OC2	K1010
		OC3	K1010
42	2	Q1	BC237
		Q5	BC237
43	1	Q2	BC307
44	1	Q3	IRFD120
45	1	Q4	IRFD9120
46	4	R1	9K76
		R12	9K76
		R24	9K76
		R42	9K76
47	1	R2	330K
48	1	R3	33K
49	1	R4	68K
50	1	R5	470K
51	1	R6	20K0
52	2	R8	47K0
		R7	47K0
53	1	R9	330K0
54	1	R10	13K3
55	2	R14	5R6
		R11	5R6
56	3	R13	22R
		R21	22R
		R40	22R
57	1	R15	22K
58	1	R16	430R
59	2	R18	3K9
		R17	3K9
60	4	R19	1K5
		R26	1K5
		R28	1K5
		R30	1K5
61	1	R22	1M5
62	2	R23	3K3
		R27	3K3
63	2	R33	4K99
		R25	4K99
64	1	R29	150K-2W
65	2	R31	X
		R32	X
66	1	R34	4K7
67	1	R35	2K37
68	4	R36	10R
		R37	10R
		R43	10R
		R44	10R
69	1	R38	1M
70	1	R39	5K
71	1	R41	180K
72	3	TR1	3106X-10K
		TR2	3106X-10K
		TR4	3106X-10K
73	1	TR3	10K
74	1	TSW1	MYRRA-74093
75	1	TSW2	HARTAMANN-M153/07
76	1	U1	L4981A
77	1	U2	TC426
78	1	U3	LM258
79	1	U5	TNY254

PFPCSL5060



ARCHIVIO: X:\WORKING\
TITLE PIANO DI MONTAGGIO SEZIONE FILTRO SOFT S.
DOCUMENT NUMBER PFC1000FLT.DWG REV 4
DATE: 29 dicembre 2010



Title	SOFT START E FILTRO EMI
Doc Number	
Doc. Number	
Doc. Number	
Date	Venerdì, 29 dicembre 2010 11:07



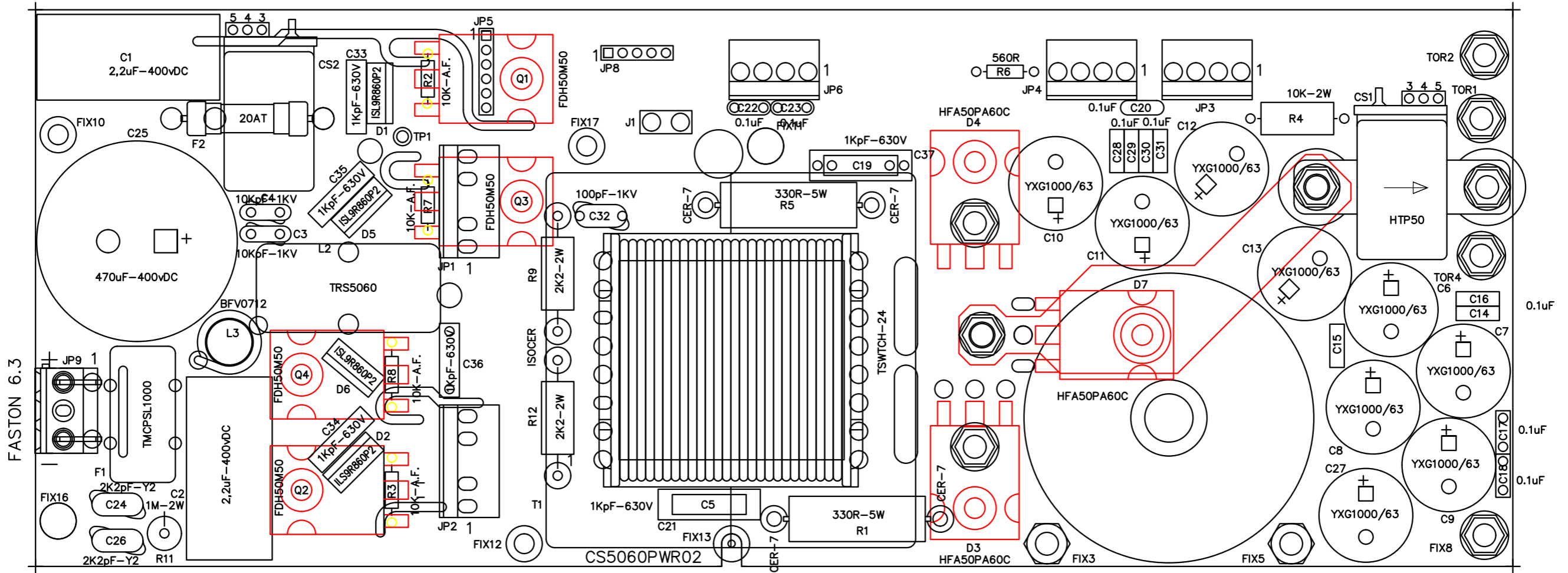
PFCPSL5060

SOFT SART E FILTRO EMI Revised: Wednesday, December 29, 2010  
 DV\_FILTER Revision: 2

Bill of Materials October 24,2013 14:18:12 Page1

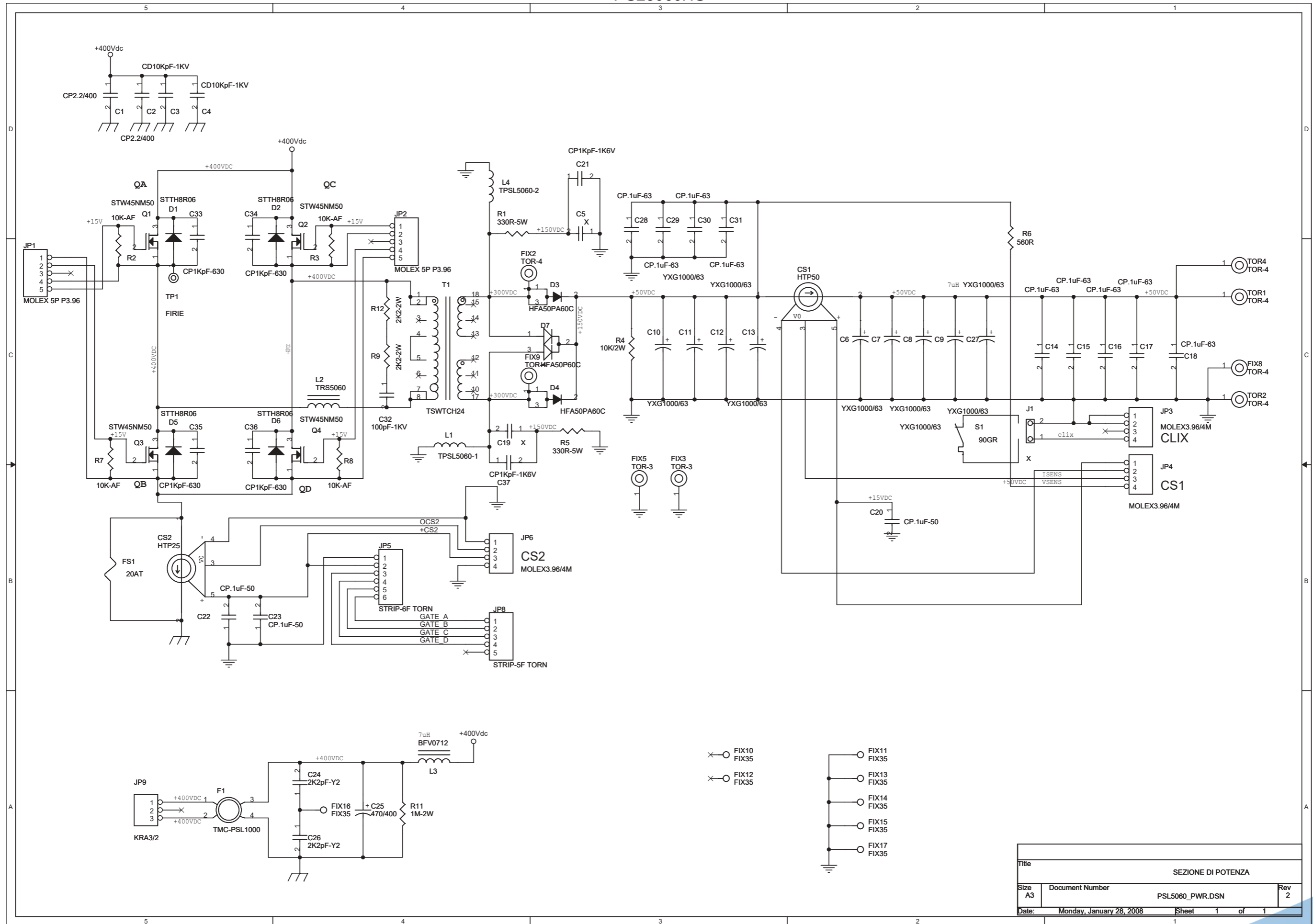
Item	Quantity	Reference	Part
1	4	C1	Y2-4700pF
		C2	Y2-4700pF
		C5	Y2-4700pF
		C6	Y2-4700pF
		C4	X2-1uF
2	2	C3	X2-1uF
		C7	220/35
3	1	C8	100/35
4	1	C9	CD4K7pF
5	1	D1	1N4004
6	1	D2	WL02
8	5	JP1	MOLEX4
		JP2	MOLEX4
		JP3	MOLEX4
		JP4	MOLEX4
		JP5	MOLEX4
9	1	J1	KB2
10	1	J2	2 Piazzole
11	1	K1	250VAC 30A
12	1	Q1	2N5064
13	2	R2	10R
		R1	10R
14	1	R3	390K-2W
15	1	R4	22R
16	1	R5	47k
17	1	R6	OR
18	1	R7	3K3
19	1	T1	2X1.8mH
20	1	T2	2X1.8MmH

PSL5060HS



ARCHIVIO: X:\WORKDWG\	
TITLE	POWER PSL5060
DOCUMENT NUMBER	PSL5060PWR_01.DWG REV
DATE:	8 MAGGIO 2008

**PSL5060HS**



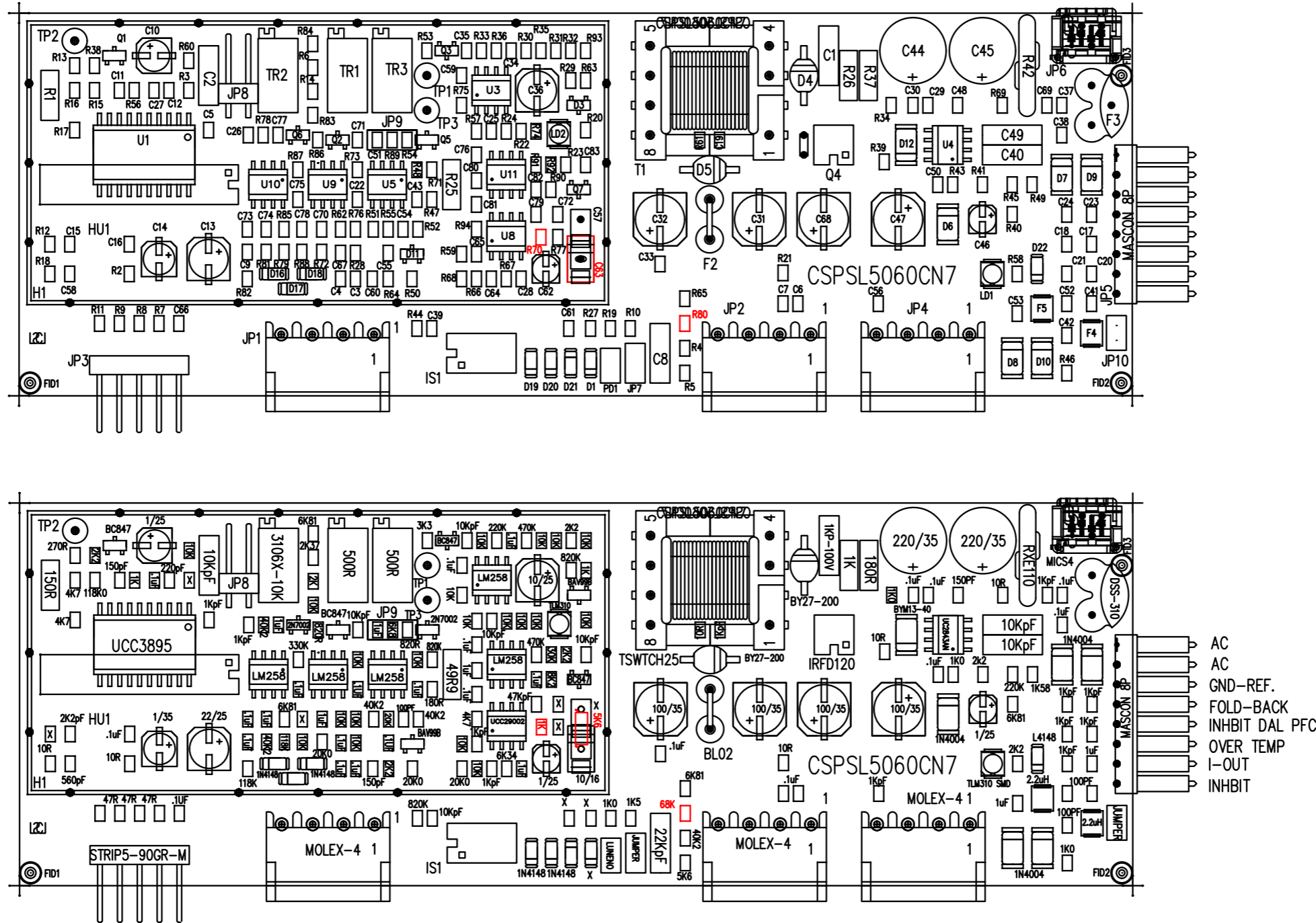
Title			SEZIONE DI POTENZA
Size	Document Number	PSL5060_PWR.DSN	
A3			Rev 2
Date:	Monday, January 28, 2008	Sheet	1 of 1

PSL5060HS

SEZIONE DI POTENZA Revised: Monday, January 28, 2008  
 PSL5060\_PWR.DSN Revision: 2

Item	Quantity	Reference	Part
1	1	CS1	HTP50
2	1	CS2	HTP25
3	2	C1, C2	CP2.2/400
4	2	C3, C4	CD10KpF-1KV
5	3	J1, C5, C19	X
6	9	C6, C7, C8, C9, C10, C11, C12, C13, C27	YXG1000/63
7	9	C14, C15, C16, C17, C18, C28, C29, C30, C31	CP.1uF-63
8	3	C20, C22, C23	CP.1uF-50
9	2	C21, C37	CP1KpF-1K6V
10	2	C24, C26	2K2pF-Y2
11	1	C25	470/400
12	1	C32	100pF-1KV
13	4	C33, C34, C35, C36	CP1KpF-630
14	4	D1, D2, D5, D6	STTH8R06
15	2	D3, D4	HFA50PA60C
16	1	D7	HFA50P60C
17	6	TOR1, TOR2, FIX2, TOR4, FIX8, FIX9	TOR-4
18	2	FIX3, FIX5	TOR-3
19	8	FIX10, FIX11, FIX12, FIX13, FIX14, FIX15, FIX16, FIX17	FIX35
20	1	FS1	20AT
21	1	F1	TMC-PSL1000
22	2	JP1, JP2	MOLEX 5P P3.96
23	3	JP3, JP4, JP6	MOLEX3.96/4M
24	1	JP5	STRIP-6F TORN
25	1	JP8	STRIP-5F TORN
26	1	JP9	KRA3/2
27	1	L1	TPSL5060-1
28	1	L2	TRS5060
29	1	L3	BFV0712
30	1	L4	TPSL5060-2
31	4	Q1, Q2, Q3, Q4	STW45NM50
32	2	R1, R5	330R-5W
33	4	R2, R3, R7, R8	10K-AF
34	1	R4	10K/2W
35	1	R6	560R
36	2	R9, R12	2K2-2W
37	1	R11	1M-2W
38	1	S1	90GR
39	1	TP1	FIRIE
40	1	T1	TSWTCH24

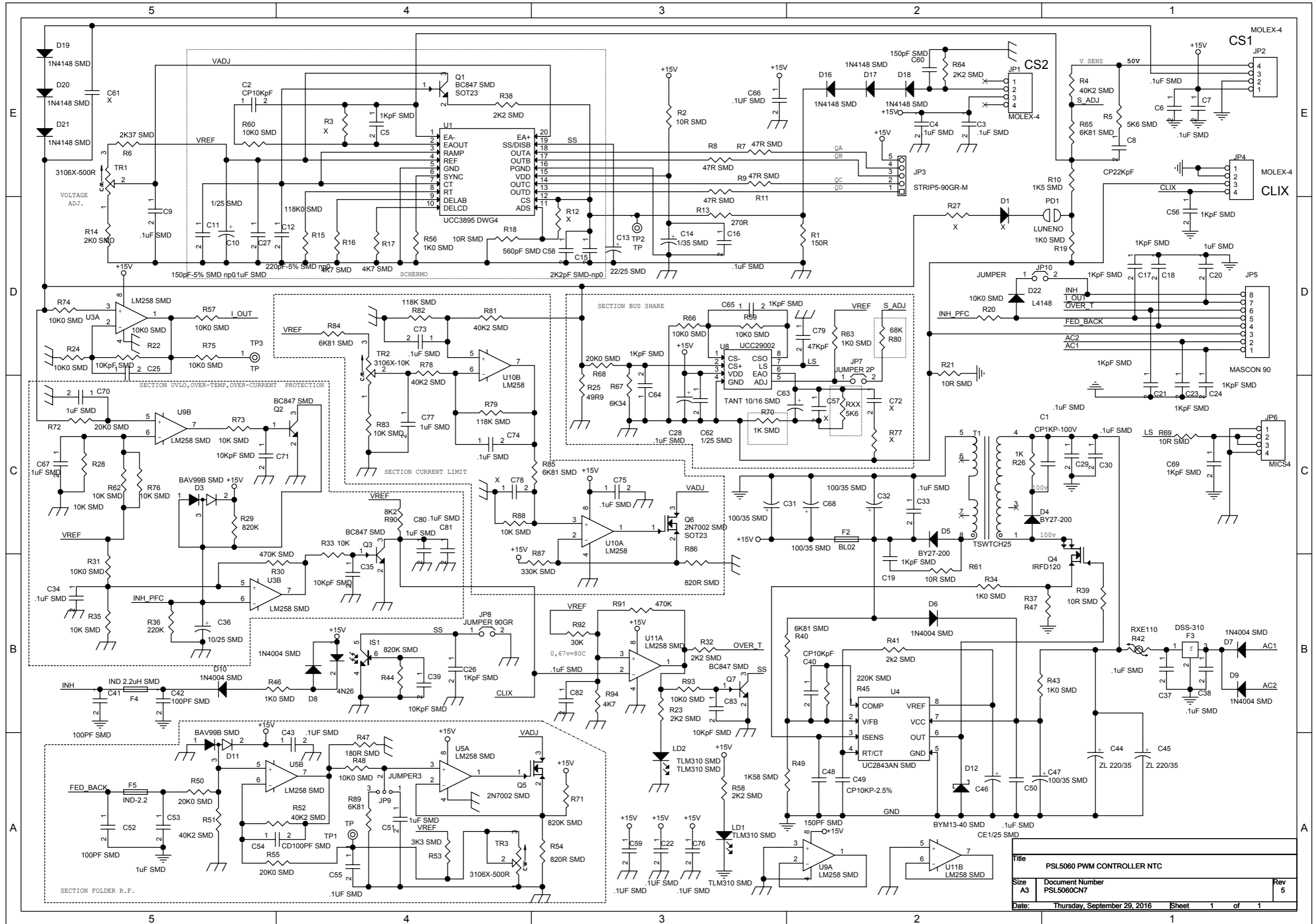
PSL5060HS



- AC
- AC
- GND-REF.
- FOLD-BACK
- INHBIT DAL PFC
- OVER TEMP
- I-OUT
- INHBIT

ARCHIVIO:	X:\WORKDWG\
TITLE:	MODIFCA SHARE 1V CNT PSL5060
DOCUMENT NUMBER	PSL5060CN7_MNT. DWG
DATE:	18 MARZO 2016

PSL5060HS



Title PSL5060 PWM CONTROLLER NTC		
Size A3	Document Number PSL5060CN7	Rev 5
Date: Thursday, September 29, 2016	Sheet 1	of 1

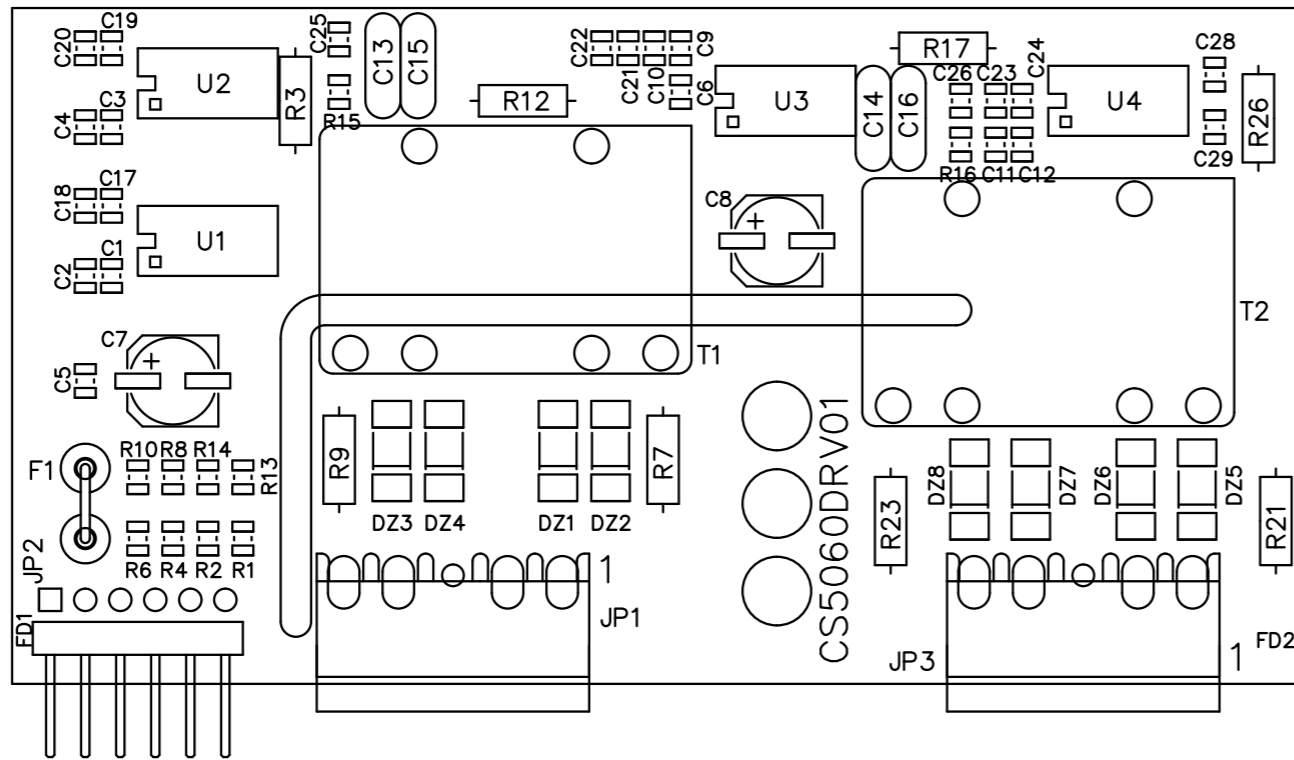
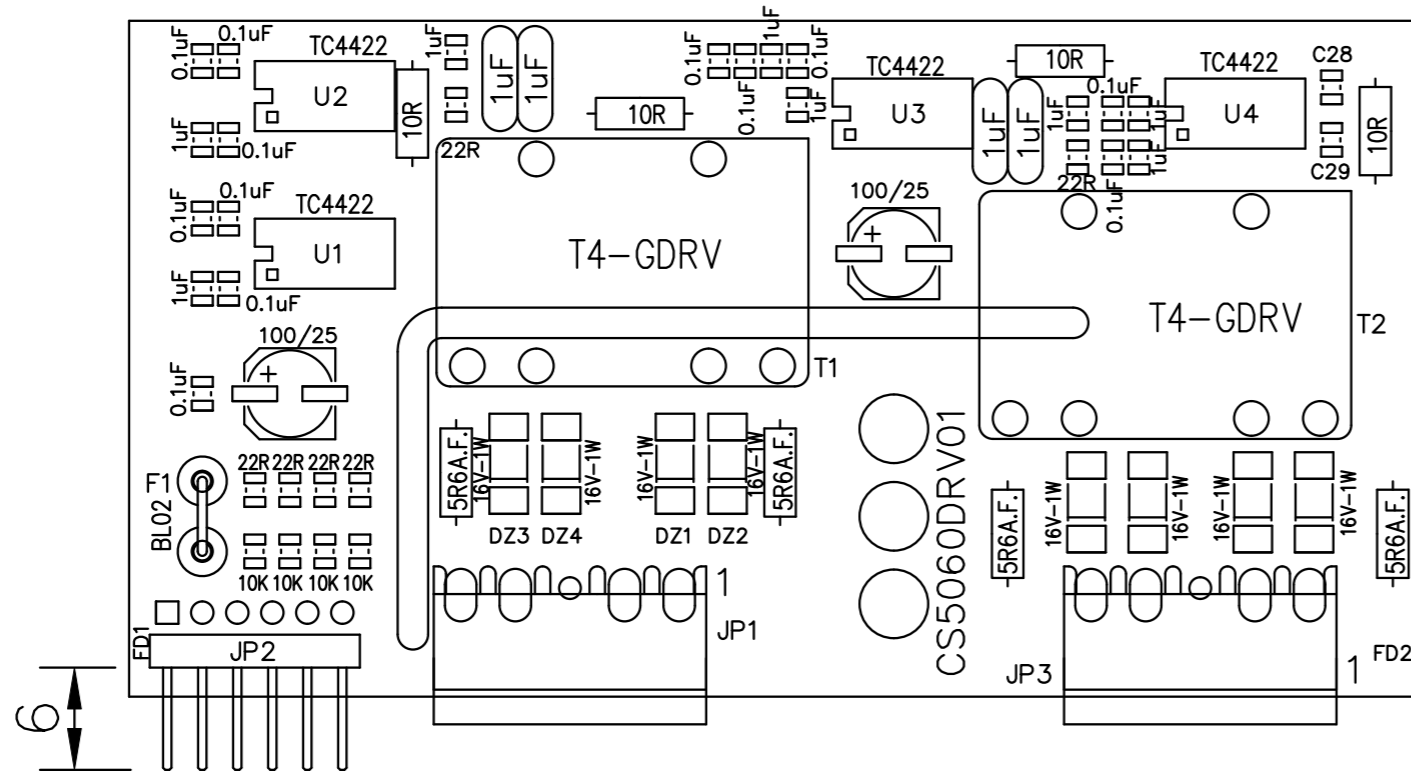
PSL5060HS

PSL5060 PWM CONTROLLER NTC Revised: Wednesday, March 31, 2021  
 PSL5060CN7 Revision: 5

Item	Quantity	Reference	Part
1	1	C1	CP1KP-100V
2	2	C2, C40	CP10KpF
3	27	C3, C4, C6, C7, C9, C16, C22, C27, C28, C29, C30, C33, C34, C37, C38, C43, C50, C55, C59, C66, C67, C73, C74, C75, C76, C81, C82	.1UF SMD
4	12	C5, C17, C18, C19, C21, C23, C24, C26, C56, C64, C65, C69	1KpF SMD
5	1	C8	CP22KpF
6	2	C10, C62	1/25 SMD
7	1	C11	150pF-5% SMD np0
8	1	C12	220pF-5% SMD np0
9	1	C13	22/25 SMD
10	1	C14	1/35 SMD
11	1	C15	2K2pF SMD-np0
12	6	C20, C51, C53, C70, C77, C80	1uF SMD
13	5	C25, C35, C39, C71, C83	10KpF SMD
14	4	C31, C32, C47, C68	100/35 SMD
15	1	C36	10/25 SMD
16	3	C41, C42, C52	100PF SMD
17	2	C44, C45	ZL 220/35
18	1	C46	CE1/25 SMD
19	2	C48, C60	150pF SMD
20	1	C49	CP10KP-2.5%
21	1	C54	CD100PF SMD
22	9	D1, R3, R12, R27, C57, C61, C72, R77, C78	X
23	1	C58	560pF SMD
24	1	C63	TANT 10/16 SMD
25	1	C79	47KpF
26	2	D3, D11	BAV99B SMD
27	2	D4, D5	BY27-200
28	5	D6, D7, D8, D9, D10	1N4004 SMD
29	1	D12	BYM13-40 SMD
30	6	D16, D17, D18, D19, D20, D21	1N4148 SMD
31	1	D22	L4148
32	1	F2	BL02
33	1	F3	DSS-310
34	1	F4	IND 2.2uH SMD
35	1	F5	IND-2.2
36	1	IS1	4N26
37	3	JP1, JP2, JP4	MOLEX-4
38	1	JP3	STRIP5-90GR-M
39	1	JP5	MASCON 90
40	1	JP6	MICS4
41	1	JP7	JUMPER 2P
42	1	JP8	JUMPER 90GR
43	1	JP9	JUMPER3
44	1	JP10	JUMPER
45	2	LD1, LD2	TLM310 SMD
46	1	PD1	LUNENO
47	4	Q1, Q2, Q3, Q7	BC847 SMD
48	1	Q4	IRFD120
49	2	Q5, Q6	2N7002 SMD
50	1	RXX	5K6
51	1	R1	150R

Item	Quantity	Reference	Part
52	6	R2, R18, R21, R39, R61, R69	10R SMD
53	5	R4, R51, R52, R78, R81	40K2 SMD
54	1	R5	5K6 SMD
55	1	R6	2K37 SMD
56	4	R7, R8, R9, R11	47R SMD
57	1	R10	1K5 SMD
58	1	R13	270R
59	1	R14	2K0 SMD
60	1	R15	118K0 SMD
61	2	R16, R17	4K7 SMD
62	6	R19, R34, R43, R46, R56, R63	1K0 SMD
63	12	R20, R22, R24, R31, R48, R57, R59, R60, R66, R74, R75, R93	10K0 SMD
64	6	R23, R32, R38, R41, R58, R64	2K2 SMD
65	1	R25	49R9
66	1	R26	1K
67	7	R28, R35, R62, R73, R76, R83, R88	10K SMD
68	1	R29	820K
69	1	R30	470K SMD
70	1	R33	10K
71	1	R36	220K
72	1	R37	R47
73	4	R40, R65, R84, R85	6K81 SMD
74	1	R42	RXE110
75	2	R44, R71	820K SMD
76	1	R45	220K SMD
77	1	R47	180R SMD
78	1	R49	1K58 SMD
79	4	R50, R55, R68, R72	20K0 SMD
80	1	R53	3K3 SMD
81	2	R54, R86	820R SMD
82	1	R67	6K34
83	1	R70	1K SMD
84	2	R79, R82	118K SMD
85	1	R80	68K
86	1	R87	330K SMD
87	1	R89	6K81
88	1	R90	8K2
89	1	R91	470K
90	1	R92	30K
91	1	R94	4K7
92	3	TP1, TP2, TP3	TP
93	2	TR1, TR3	3106X-500R
94	1	TR2	3106X-10K
95	1	T1	TSWCH25
96	1	U1	UCC3895 DWG4
97	4	U3, U5, U9, U11	LM258 SMD
98	1	U4	UC2843AN SMD
99	1	U8	UCC29002
100	1	U10	LM258

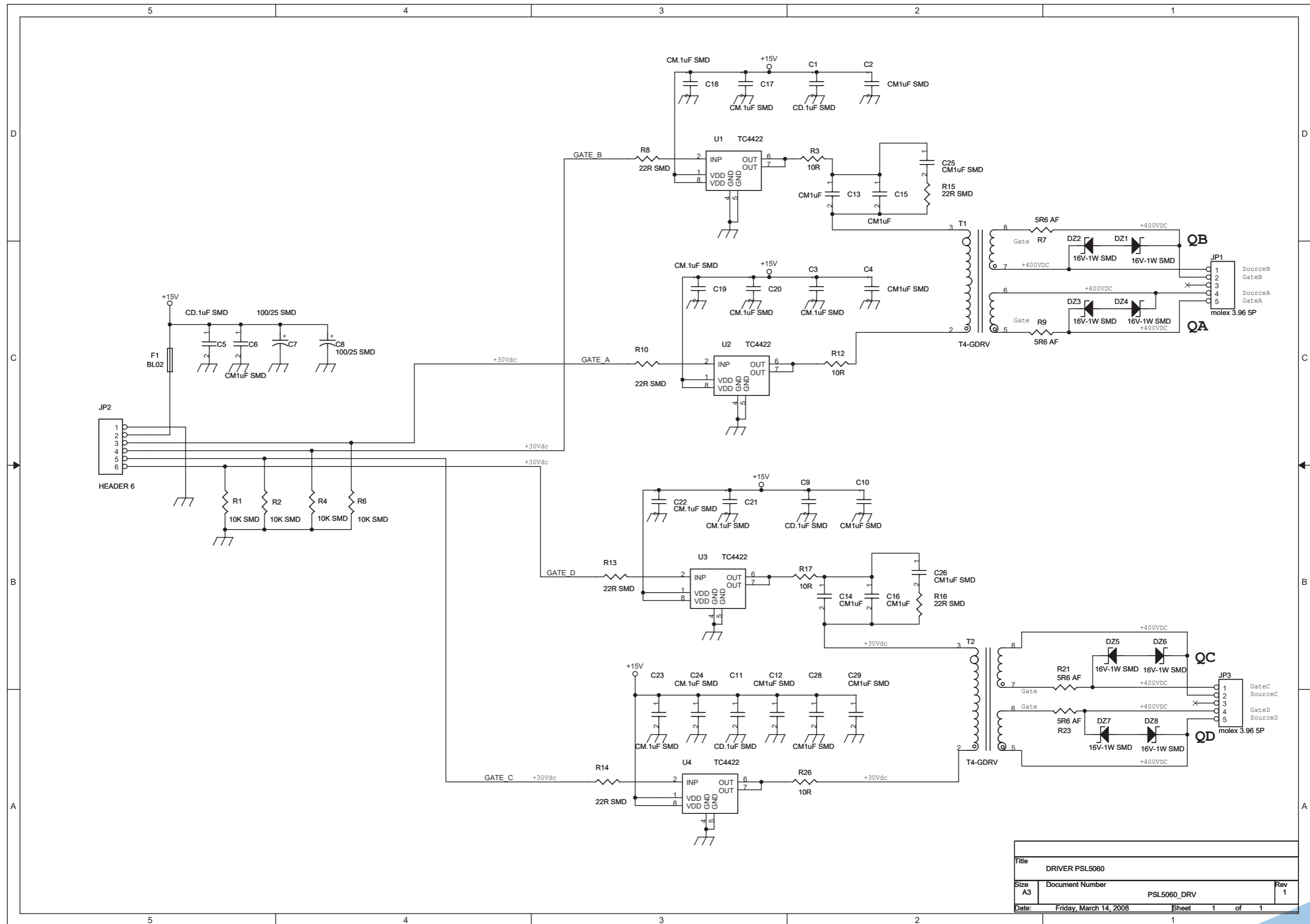
PSL5060HS



ARCHIVIO: X:\WORKDWG\	
TITLE	PSL5060DRV
DOCUMENT NUMBER	PSL5060DRV. DWG REV 1
DATE:	11 APRILE 2008



PSL5060HS



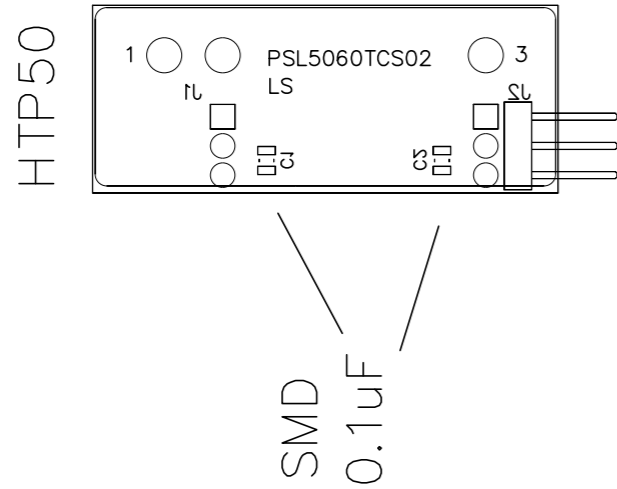
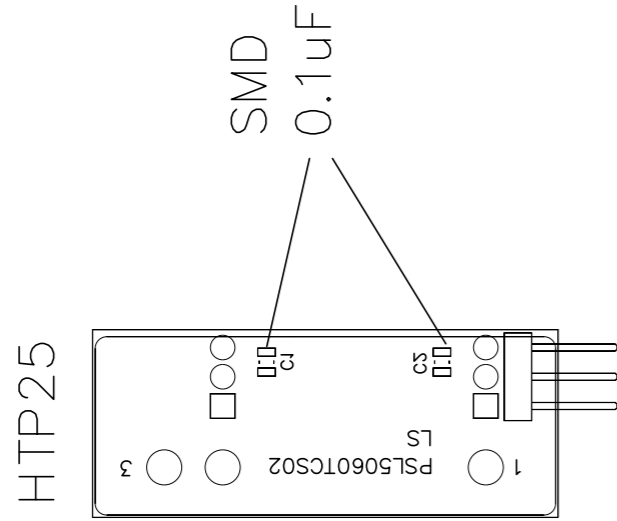
Title		
DRIVER PSL5060		
Size	Document Number	Rev
A3	PSL5060_DRV	1
Date:	Friday, March 14, 2008	Sheet 1 of 1

PSL5060HS

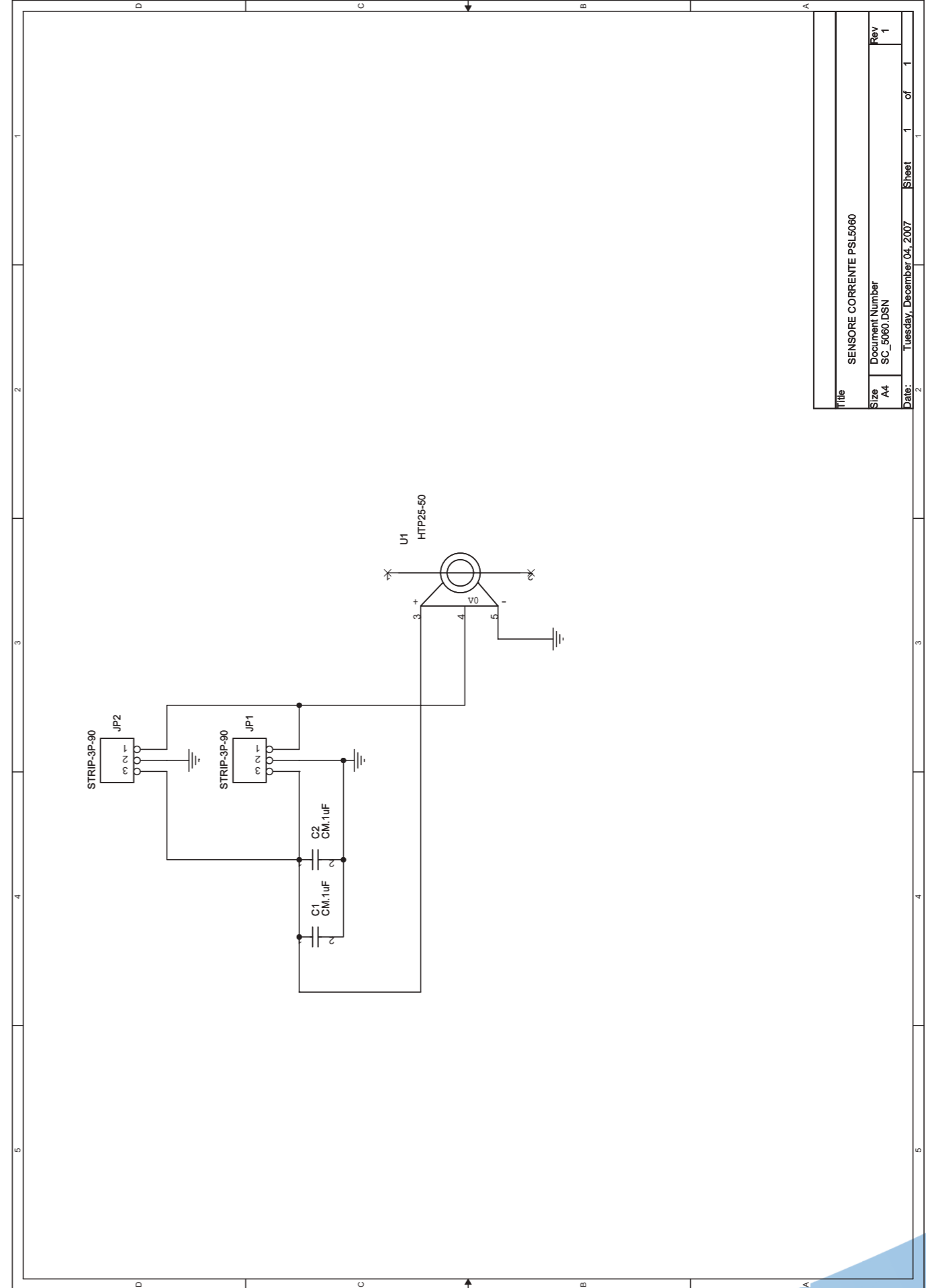
DRIVER PSL5060 Revised: Friday, March 14, 2008  
 PSL5060\_DRV Revision: 1

Item	Quantity	Reference	Part
1	4	C1, C5, C9, C11	CD.1uF SMD
2	9	C2, C4, C6, C10, C12, C25, C26, C28, C29	CM1uF SMD
3	9	C3, C17, C18, C19, C20, C21, C22, C23, C24	CM.1uF SMD
4	2	C7, C8	100/25 SMD
5	4	C13, C14, C15, C16	CM1uF
6	8	DZ1, DZ2, DZ3, DZ4, DZ5, DZ6, DZ7, DZ8	16V-1W SMD
7	1	F1	BL02
8	2	JP1, JP3	molex 3.96 5P
9	1	JP2	HEADER 6
10	4	R1, R2, R4, R6	10K SMD
11	4	R3, R12, R17, R26	10R
12	4	R7, R9, R21, R23	5R6 AF
13	6	R8, R10, R13, R14, R15, R16	22R SMD
14	2	T1, T2	T4-GDRV
15	4	U1, U2, U3, U4	TC4422

PSL5060HS



ARCHIVIO: X:\WORKDWG\
TITLE      SENSORE DI CORRENTE PSL5060
DOCUMENT NUMBER    PSL5060PWR_ASSEMBL.DWG REV
DATE:                    15 APRILE 2008



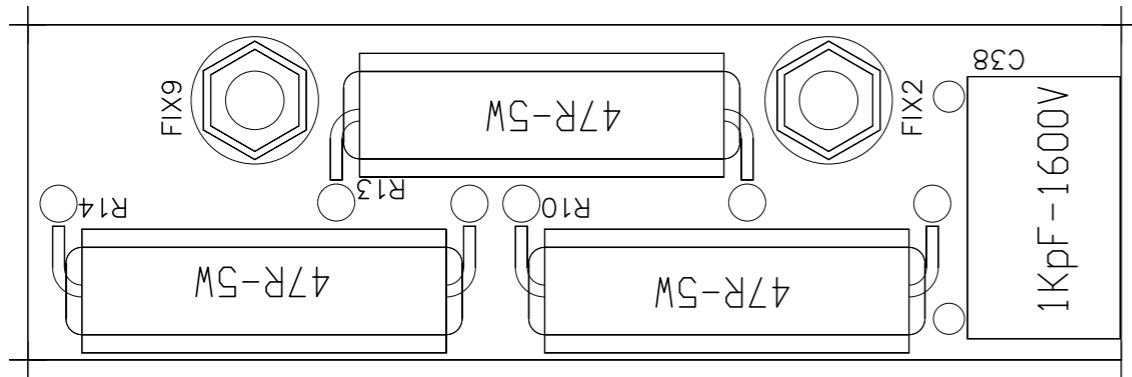
Title	SENSORE CORRENTE PSL5060
Size	A4
Document Number	SC_5060.DSN
Rev	1
Date:	Tuesday, December 04, 2007
Sheet	1 of 1

PSL5060HS

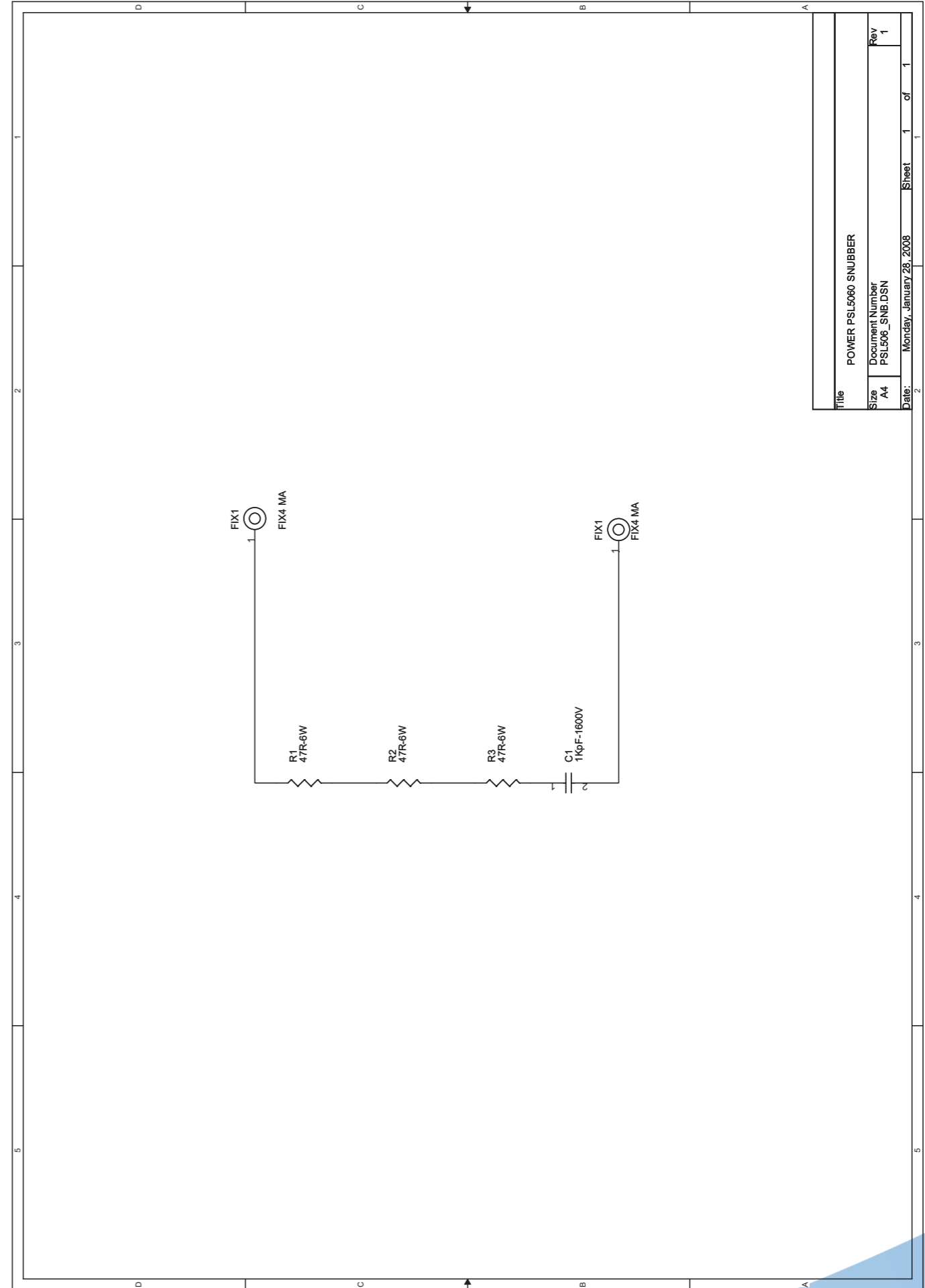
SENSORE CORRENTE PSL5060 Revised: Tuesday, December 04, 2007  
 SC\_5060.DSN Revision: 1

Item	Quantity	Reference	Part
1	2	C1, C2	CM.1uF
2	2	JP1, JP2	STRIP-3P-90
3	1	U1	HTP25-50

PSL5060HS



ARCHIVIO: X:\WORKDWG\		
TITLE	SNUBBER PSL5060	
DOCUMENT NUMBER	PSL5060SNR01_MNT. DWG	REV
DATE:	15 APRILE 2008	



Title	POWER PSL5060 SNUBBER		
Size	A4	Document Number	PSL5060_SNB.DSN
Date:	Monday, January 28, 2008	Sheet	1 of 1

PSL5060HS

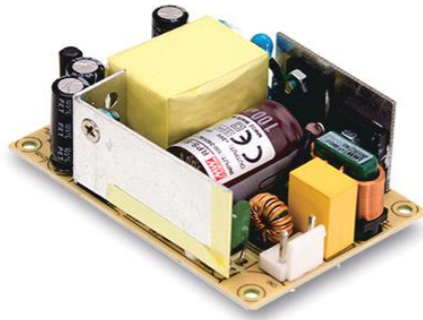
POWER PSL5060 SNUBBER Revised: Monday, January 28, 2008  
 PSL506\_SNB.DSN Revision: 1

Item	Quantity	Reference	Part
1	1	C1	1KpF-1600V
2	1	FIX1	FIX4 MA
3	3	R1, R2, R3	47R-6W

PS.EPS65S24



65W Single Output Switching Power Supply **EPS-65S** series



■ Features

- 3"×2" miniature size
- Universal AC input / Full range
- Class II (without FG) installations
- No load power consumption<0.1W
- High efficiency up to 91%
- For 1U applications
- Protections: Short circuit / Overload / Over voltage
- Cooling by free air convection
- -30~70°C wide range of operating temperature
- Operating altitude up to 5000 meters
- LED indicator for power on
- 3 years warranty

■ Description

EPS-65S is a 65W highly reliable green PCB type industrial power supply with a high power density on the 3" by 2" footprint. It accepts 80~264VAC input and offers various output voltages between 3.3V and 48V. The working efficiency is up to 91% and the extremely low no load power consumption is down below 0.1W. EPS-65S is able to be used for Class II (no FG) system design.

■ Model Encoding

EPS-65S-3.3

- Output voltage
- Small size
- Output wattage
- Series name

File Name:EPS-65S-SPEC 2018-06-21



65W Single Output Switching Power Supply **EPS-65S** series

SPECIFICATION

ORDER NO.	EPS-65S-3.3	EPS-65S-5	EPS-65S-7.5	EPS-65S-12	EPS-65S-15	EPS-65S-24	EPS-65S-48	
OUTPUT	DC VOLTAGE	3.3V	5V	7.5V	12V	15V	24V	48V
	RATED CURRENT	10A	10A	8A	5.42A	4.34A	2.71A	1.36A
	CURRENT RANGE	0 ~ 11A	0 ~ 11A	0 ~ 8.8A	0 ~ 5.96A	0 ~ 4.77A	0 ~ 2.98A	0 ~ 1.49A
	RATED POWER	33W	50W	60W	65W	65.1W	65W	65.3W
	PEAK LOAD(10sec.) Note,2	36.3W	55W	66W	71.5W	71.6W	71.5W	71.5W
	RIPPLE & NOISE (max.) Note,3	80mVp-p	80mVp-p	80mVp-p	120mVp-p	150mVp-p	240mVp-p	300mVp-p
	VOLTAGE ADJ. RANGE	2.9~3.6V	4.7~5.5V	7.12~8.3V	11.4~13.2V	13.5~16.5V	22.8~27.6V	45.6~52.8V
	VOLTAGE TOLERANCE Note,4	±2.0%	±2.0%	±2.0%	±2.0%	±1.0%	±1.0%	±1.0%
	LINE REGULATION	±0.5%	±0.5%	±0.5%	±0.5%	±0.5%	±0.5%	±0.5%
	LOAD REGULATION	±2.0%	±2.0%	±2.0%	±2.0%	±1.0%	±1.0%	±1.0%
SETUP, RISE TIME	500ms, 30ms / 230VAC 500ms, 30ms / 115VAC at full load							
HOLD UP TIME (Typ.)	30ms / 230VAC 12ms / 115VAC at full load							
INPUT	VOLTAGE RANGE Note,5	80 ~ 264VAC						
	FREQUENCY RANGE	47 ~ 63Hz						
	EFFICIENCY (Typ.)	80%	84%	85%	88%	89%	90%	91%
	AC CURRENT (Typ.)	1.5A / 115VAC		1A / 230VAC				
	INRUSH CURRENT (Typ.)	COLD STAR 30A/115VAC		50A/230VAC				
	LEAKAGE CURRENT(max.)	0.25mA/264VAC						
PROTECTION	OVERLOAD	115 ~ 150% rated output power Protection type : Hiccup mode, recovers automatically after fault condition is removed						
	OVER VOLTAGE	3.8~4.46V	5.75~6.75V	8.62~11.3V	13.8~16.2V	17.25~20.25V	27.6~32.4V	55.2~64.8V
ENVIRONMENT	WORKING TEMP.	-30 ~ +70°C (Refer to "Derating Curve")						
	WORKING HUMIDITY	20% ~ 90% RH non-condensing						
	STORAGE TEMP., HUMIDITY	-40 ~ +85°C, 10 ~ 95% RH						
	TEMP. COEFFICIENT	±0.03% / °C (0 ~ 50°C)						
	OPERATING ALTITUDE Note,6	5000 meters						
SAFETY & EMC (Note. 7)	VIBRATION	10 ~ 500Hz, 2G 10min./1cycle, period for 60min. each along X, Y, Z axes						
	SAFETY STANDARDS	UL60950-1, TUV EN60950-1, EAC TP TC 004 approved						
	ISOLATION LEVEL	Primary-Secondary: 2xMOPP						
	WITHSTAND VOLTAGE	I/P-O/P: 3KVAC						
	ISOLATION RESISTANCE	I/P-O/P:100M Ohms / 500VDC / 25°C / 70% RH						
	EMC EMISSION	Compliance to EN55032(CISPR32) Class B, EN61000-3-2,3, EAC TP TC 020						
	EMC IMMUNITY	Compliance to EN61000-4-2,3,4,5,6,8,11, EN55024, Heavy industry Level criteria A, EAC TP TC 020						
OTHERS	MTBF	959.1Khrs min. MIL-HDBK-217(25°C)						
	DIMENSION	76.2*50.8*24mm or 3" * 2" * 0.945" inch (L*W*H)						
	PACKING	0.11Kg; 120pcs/14.2Kg/0.97CUFT						
NOTE	<p>1. All parameters NOT specially mentioned are measured at 230VAC input, rated load and 25°C of ambient temperature.</p> <p>2. 33% Duty cycle maximum within every 30 seconds. Average output power should not exceed the rated power.</p> <p>3. Ripple &amp; noise are measured at 20MHz of bandwidth by using a 12" twisted pair-wire terminated with a 0.1uf &amp; 47uf parallel capacitor.</p> <p>4. Tolerance : includes set up tolerance, line regulation and load regulation.</p> <p>5. Derating may be needed under low input voltages. Please check the derating curve for more details.</p> <p>6. The ambient temperature derating of 3.5°C/1000m with fanless models and of 5°C/1000m with fan models for operating altitude higher than 2000m(6500ft).</p> <p>7. The power supply is considered a component which will be installed into a final equipment. The final equipment must be re-confirmed that it still meets EMC directives. For guidance on how to perform these EMC tests, please refer to "EMI testing of component power. (as available on <a href="http://www.meanwell.com">http://www.meanwell.com</a>)</p>							

File Name:EPS-65S-SPEC 2018-06-21

PS.EPS65S24



65W Single Output Switching Power Supply **EPS-65S** series

**Block Diagram**

Block diagram showing the internal components: I/P, EMI FILTER & RECTIFIER, RECTIFIERS & FILTER, POWER SWITCHING, RECTIFIERS & FILTER, O.L.P., CONTROL, DETECTION CIRCUIT, O.V.P., and +V, -V outputs. Frequency: fosc : 65KHz.

**Derating Curve**

Ambient Temperature (°C)	Load (%)
-30	100
0	100
10	100
20	100
30	100
40	100
50	100
60	100
70	50
70 (HORIZONTAL)	50

**Static Characteristics**

Input Voltage (V) 60Hz	Load (%)
80	70
100	100
115	100
120	100
140	100
160	100
180	100
200	100
220	100
240	100
264	100

File Name:EPS-65S-SPEC 2018-06-21



65W Single Output Switching Power Supply **EPS-65S** series

**Mechanical Specification**

Case No. Unit:mm

Dimensions: 76.2 (total width), 69.85 (width to start of components), 3.175 (offset), 50.8 (height), 44.45 (height to top of components), 3 (max. height of pins), 24 (height of case), 4-φ3.2 (mounting holes).

Components: FS1 (AC FUSE T2A/250V), HS100, CN1, CN2, LED, SVR1, HS1.

**AC Input Connector (CN1) : JST B3P-VH or equivalent**

Pin No.	Assignment	Mating Housing	Terminal
1	AC/N	JST VHR or equivalent	JST SVH-21T-P1.1 or equivalent
2	No Pin		
3	AC/L		

**DC Output Connector (CN2) : JST B2P-VH or equivalent**

Pin No.	Assignment	Mating Housing	Terminal
1	+V	JST VHR or equivalent	JST SVH-21T-P1.1 or equivalent
2	+V		
3	-V		
4	-V		

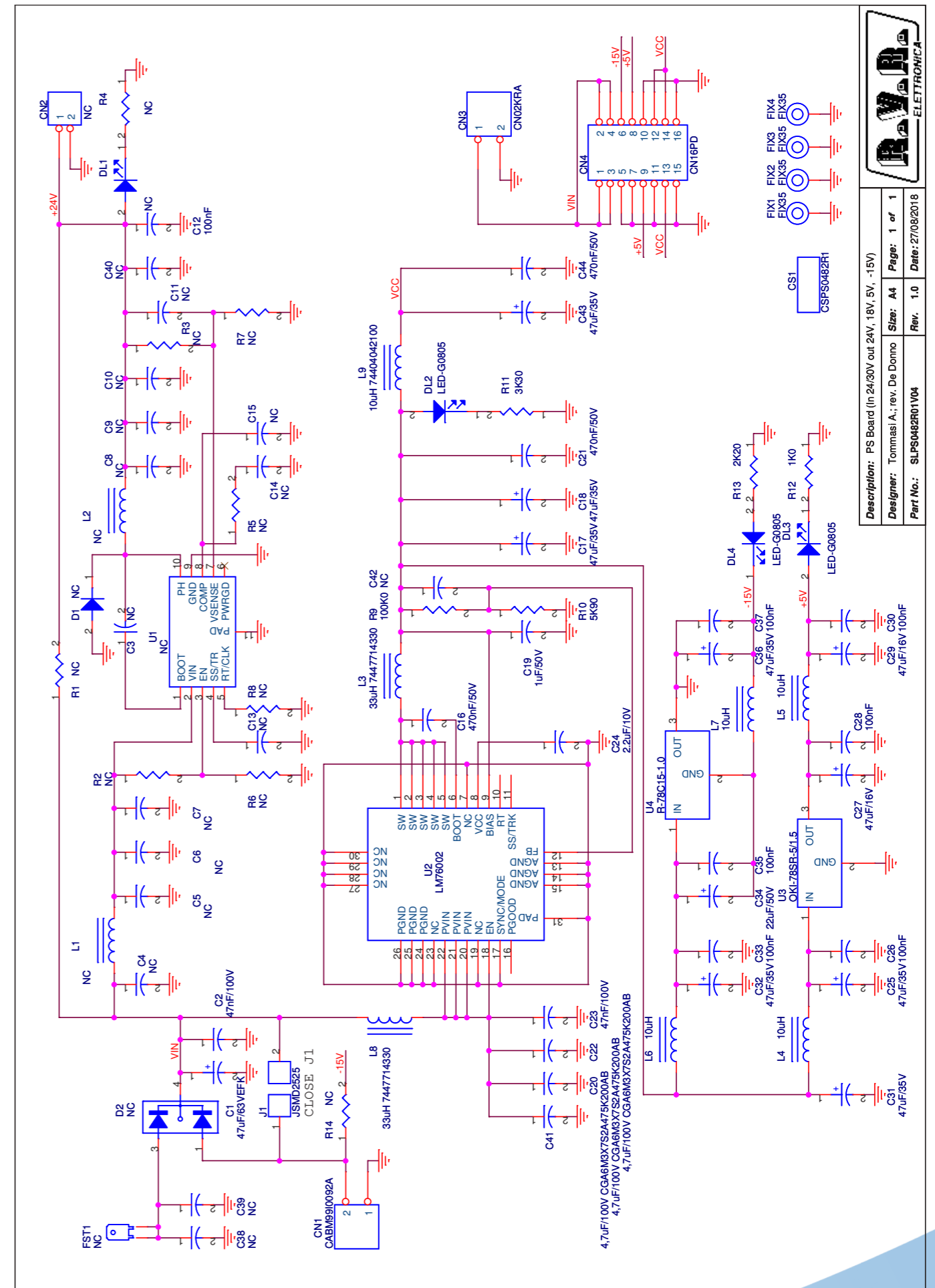
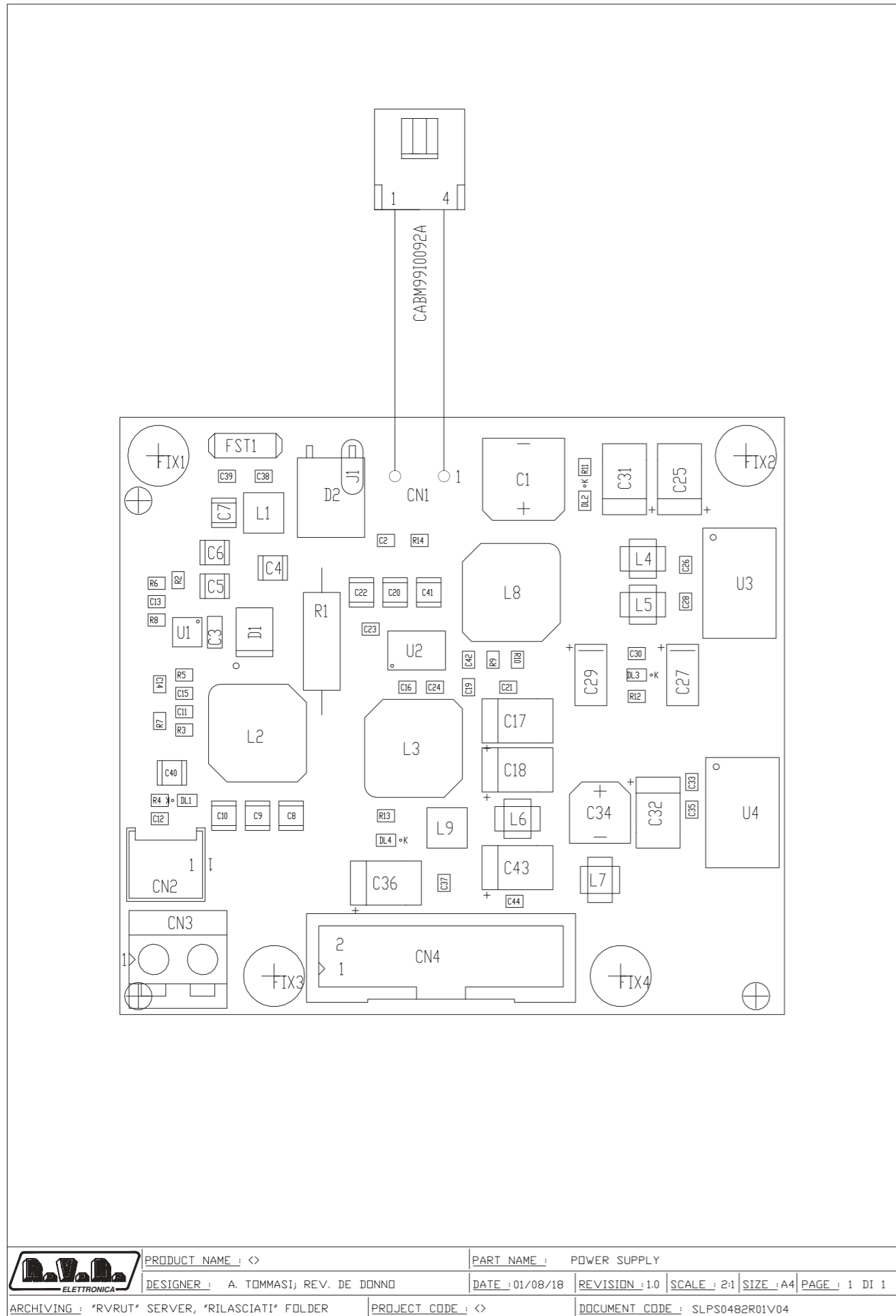
**Installation Manual**

Please refer to : <http://www.meanwell.com/manual.html>

File Name:EPS-65S-SPEC 2018-06-21



SLPS0482R01V04



	PRODUCT NAME : <>	PART NAME : POWER SUPPLY				
	DESIGNER : A. TOMMASI; REV. DE DONNO	DATE : 01/08/18	REVISION : 1.0	SCALE : 2:1	SIZE : A4	PAGE : 1 DI 1
	ARCHIVING : "RV.RUT" SERVER, "RILASCIATI" FOLDER	PROJECT CODE : <>	DOCUMENT CODE : SLPS0482R01V04			

**R.V.R. ELETTRONICA**

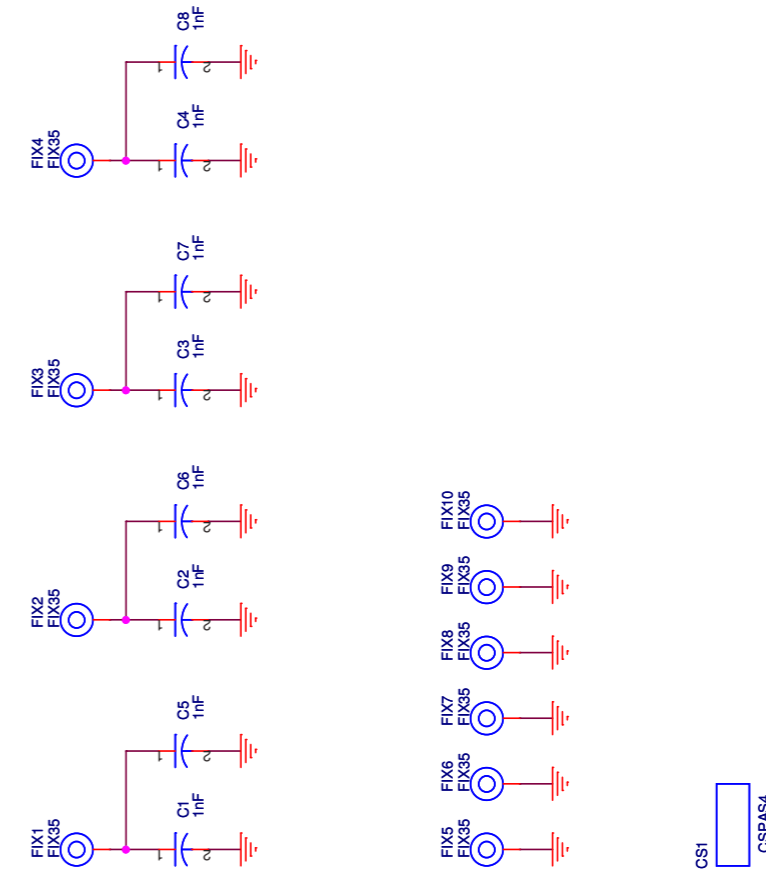
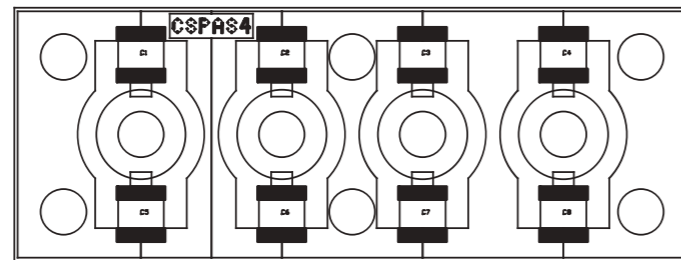
Description: PS Board (in 24V out 24V, 18V, 5V, -15V)  
 Designer: Tommasi A.; rev. De Donno  
 Part No.: SLPS0482R01V04  
 Rev. 1.0 Date: 27/08/2018  
 Page: 1 of 1  
 Size: A4

SLPS0482R01V04

PS Board (In 24/30V out 24V, 18V, 5V, -15V) Revised: 27/08/2018  
 SLPS0482R01V04 Revision: 1.0  
 Tommasi A.; rev. De Donno

Item	Quantity	Reference	Part	Description
1	1	CN1	CABM99I0092A	Wiring
2	1	CN2	NC	2 way Lumberg conn. MSF p 2.5mm
3	1	CN3	CN02KRA	KRA Conn. a 2 poli
4	1	CN4	CN16PD	16 way pcb conn. with holder
5	1	CS1	CSPS0482R1	Printed Circuit board
6	1	C1	47uF/63VEFK	SMD electr, cap. 8mm
7	2	C2, C23	47nF/100V	0805 SMD capacitor
8	1	C3	NC	1206 SMD capacitor
9	7	C4, C5, C6, C7, C8, C9, C10	NC	1210 SMD capacitor
10	2	C11, C15	NC	0805 COG SMD capacitor
11	7	C12, C26, C28, C30, C33, C35, C37	100nF	0805 SMD capacitor
12	5	C13, C14, C38, C39, C42	NC	0805 SMD capacitor
13	3	C16, C21, C44	470nF/50V	0805 SMD capacitor
14	7	C17, C18, C25, C31, C32, C36, C43	47uF/35V	SMD tantalium cap. size D
15	1	C19	1uF/50V	0805 SMD capacitor
16	3	C20, C22, C41	4,7uF/100V	1210 SMD capacitor
17	1	C24	2.2uF/10V	0805 SMD capacitor
18	2	C27, C29	47uF/16V	SMD tantalium cap. size C
19	1	C34	22uF/50V	SMD electr, cap. 6.3mm
20	1	C40	NC	1210 SMD capacitor
21	1	DL1	NC	Green LED SMD 0805
22	3	DL2, DL3, DL4	LED-G0805	Green LED SMD 0805
23	1	D1	NC	SMD diode cont. SMB
24	1	D2	NC	Dual diode schottky SMD DPAK
25	4	FIX1, FIX2, FIX3, FIX4	FIX35	3.5mm Fixing hole
26	1	FST1	NC	PCB faston p. 5.08
27	1	J1	JSMD2525	SMD pad 2 x 2.5x2.5 mm
28	1	L1	NC	Würth LQS40xx series inductor
29	1	L2	NC	Würth PD10xx series inductor
30	2	L3, L8	33uH	Würth PD10xx series inductor
31	4	L4, L5, L6, L7	10uH	SMD Vertical Ind. dia. 4 p 4.8
32	1	L9	10uH	Würth LQS40xx series inductor
33	1	R1	NC	2W resistor
34	8	R2, R3, R4, R5, R6, R7, R8, R14	NC	0805 1% SMD res.
35	1	R9	100K0	0805 1% SMD res.
36	1	R10	5K90	0805 1% SMD res.
37	1	R11	3K30	0805 1% SMD res.
38	1	R12	1K0	0805 1% SMD res.
39	1	R13	2K20	0805 1% SMD res.
40	1	U1	NC	Step down DC2DC conv.
41	1	U2	LM76002	Switching regulator
42	1	U3	OKI-78SR-5/1.5	Switch. voltage reg. SIP3
43	1	U4	R-78C15-1.0	Switch. voltage reg. SIP3

SLFIPAS4R01V01



Description:	PASS THROUGH FILTER
Designer:	G. DE DONNO
Part No.:	SLFIPAS4R01V01
Size:	A4
Page:	1 of 1
Rev.:	1.0
Date:	02/10/2017

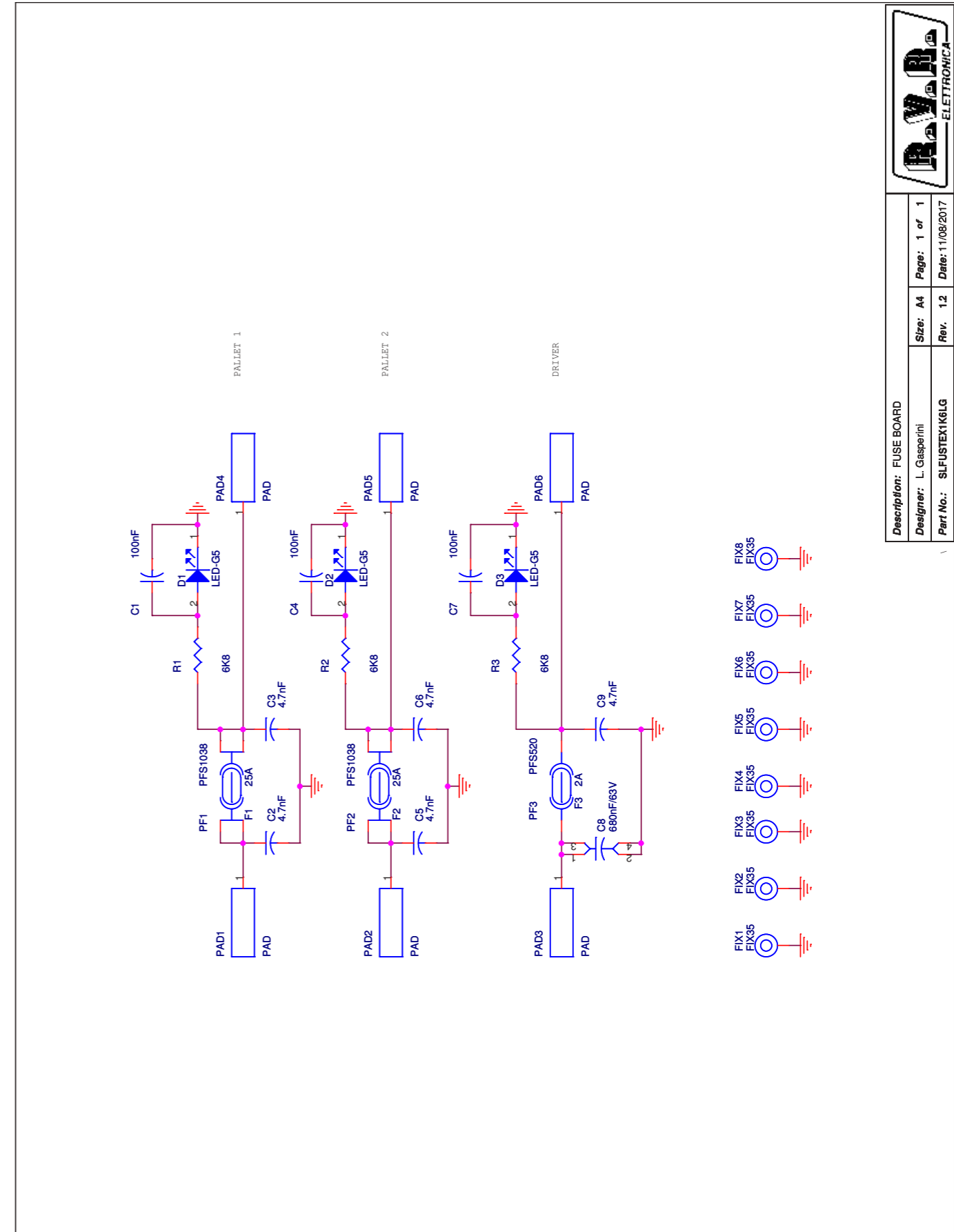
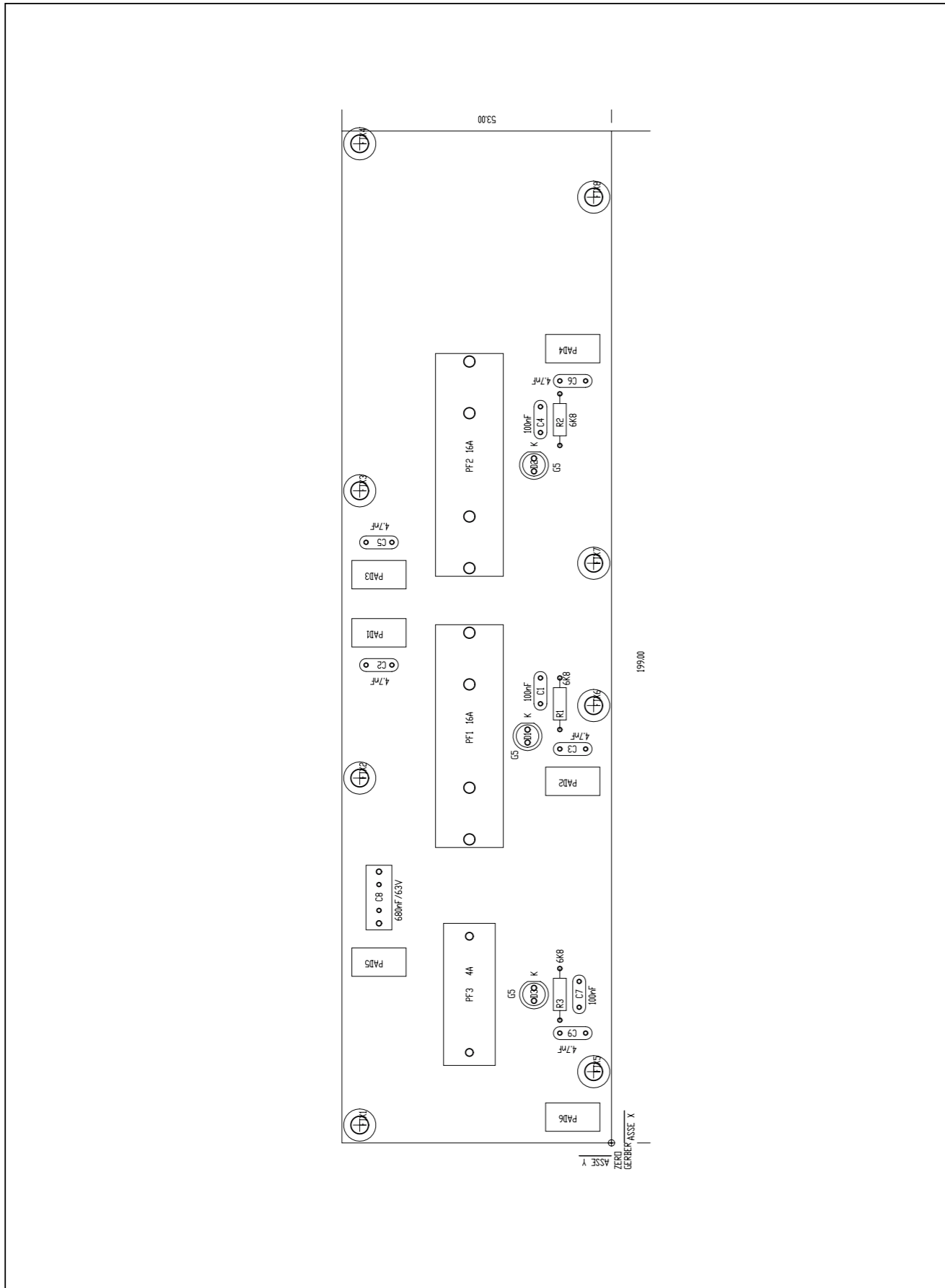
	PRODUCT NAME : TEX-LCD	PART NAME : PASS THROUGH FILTER			
	DESIGNER : G. DE DONNO	DATE : 02/10/17	REVISION : 1.0	SCALE : 2:1	SIZE : A4
ARCHIVING : 'RVTRUT' SERVER, 'RILASCIATI' FOLDER	PROJECT CODE : <	DOCUMENT CODE : SLFIPAS4R01V01			

SLFIPAS4R01V01

PASS THROUGH FILTER Revised: 02/10/2017  
 SLFIPAS4R01V01 Revision: 1.0  
 G. DE DONNO

Item	Quantity	Reference	Part
1	1	CS1	CSPAS4 Circuito stampato
2	8	C1, C2, C3, C4, C5, C6, C7, C8	1nF Cond. SMD 1212 HQ
3	16	FIX1, FIX2, FIX3, FIX4, FIX5, FIX6, FIX7, FIX8, FIX9, FIX10	FIX35 Foro fissaggio 3.5mm

SLFUSTEX1K6LG



<b>R.V.R.</b> ELETTRONICA	NOME PROGETTO: TEX500LCD	NOME PARTE: SCHEDA FUSE			
	AUTORE: LUCA GASPERINI	DATA: 05/04/2004	REVISIONE: 1.0	SCALA: 1:1	SIZE: A4
ARCHIVIAZIONE ELETTRONICA: "CARTELLA PROGETTI" SU "UT_SRV"		CODICE PROGETTO: 012	CODICE DISEGNO: SLFUSTX500-1		
MATERIALE: <>	TRATTAMENTO: <>	PROFILO: <>	STATO: ESECUTIVO		

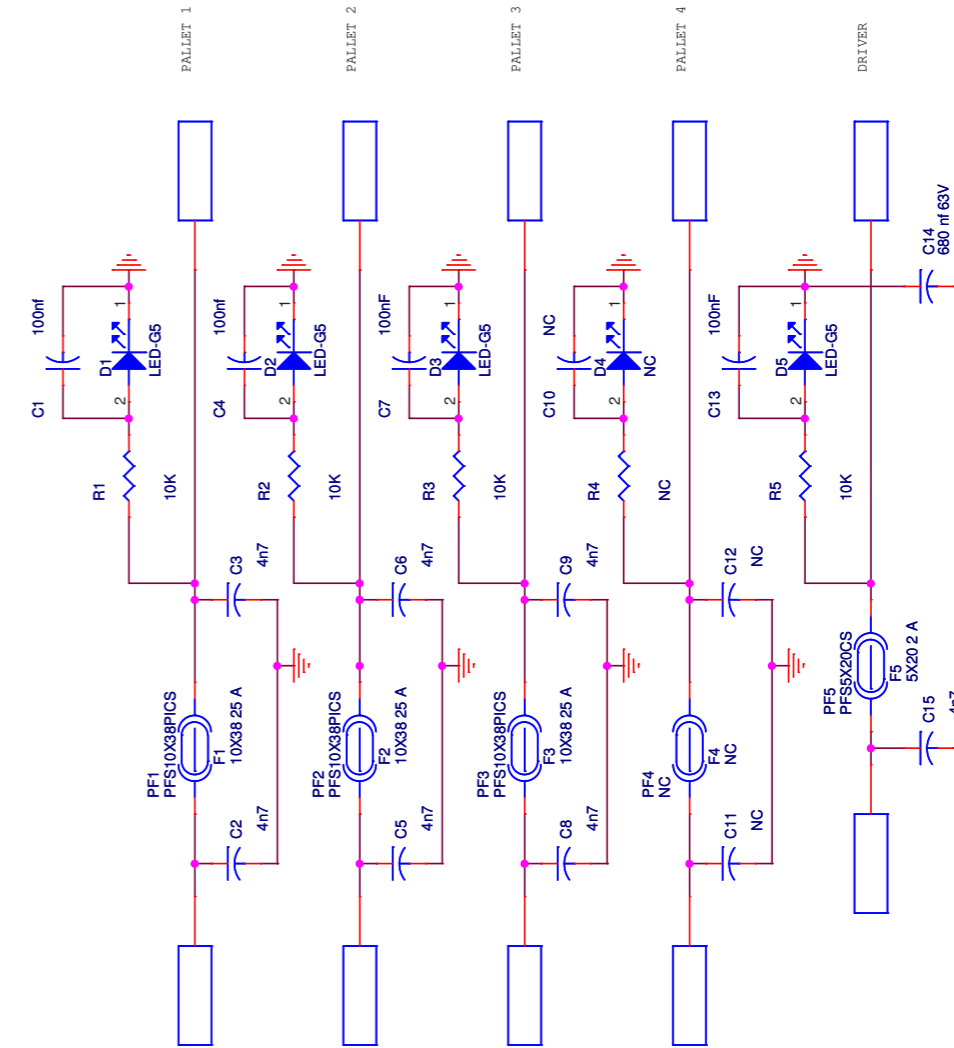
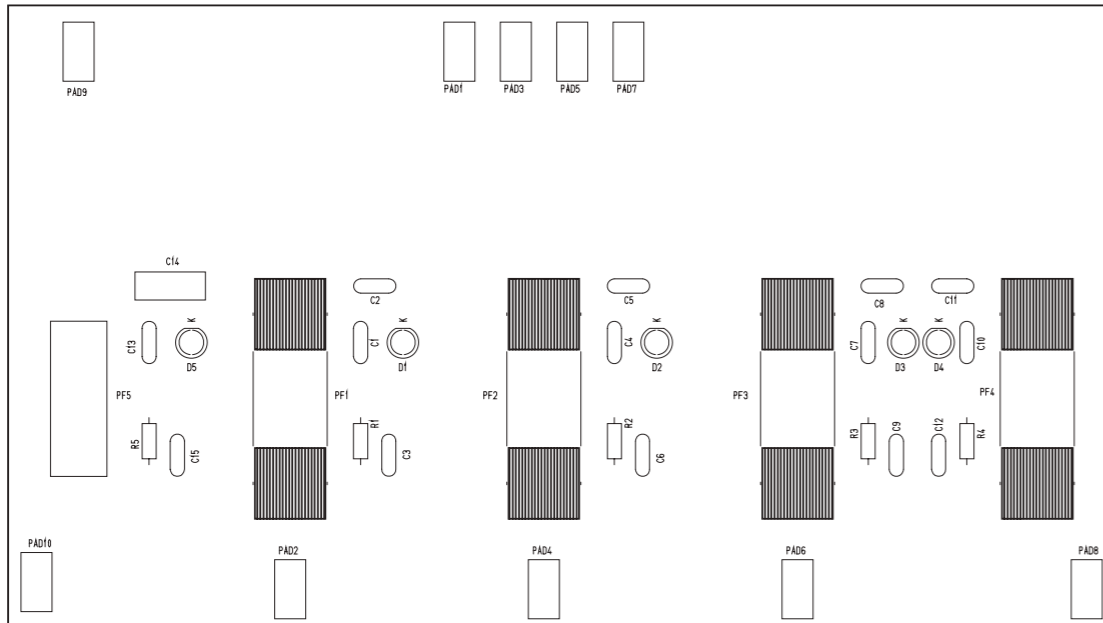
Description: FUSE BOARD	
Designer: L. Gasperini	Size: A4
Part No.: SLFUSTEX1K6LG	Page: 1 of 1
	Rev. 1.2
	Date: 11/08/2017

SLFUSTEX1K6LG

FUSE BOARD Revised: 11/08/2017  
 SLFUSTEX1K6LG Revision: 1.2  
 L. Gasperini

Item	Quantity	Reference	Part	Description
1	3	C1, C4, C7	100nF	Cond. ceramico multistrato p 5mm
2	5	C2, C3, C5, C6, C9	4.7nF	Cond. ceramico p 5mm
3	1	C8	680nF/63V	Cond. Poli. p 5/7.5/10mm
4	3	D1, D2, D3	LED-G5	LED Verde dia. 5mm
5	8	FIX1, FIX2, FIX3, FIX4, FIX5, FIX6, FIX7, FIX8	FIX35	Foro fissaggio 3.5mm
6	2	F1, F2	25A	Fusibile rapido 10x38mm
7	1	F3	2A	Fusibile rapido 5x20mm
8	6	PAD7, PAD8, PAD9, PAD10, PAD11, PAD12	PAD	Pad a saldare 5x10 mm
9	2	PF2, PF1	PFS1038	Portafusibile 10x38
10	1	PF3	PFS520	Portafusibile 5x20
11	3	R1, R2, R3	6K8	Res. 1/4W

SLFURFPJ2KLG



**R.V.R.**  
ELETTRONICA

Description: Fuse Card  
 Designer: Franceschi A.  
 Part No.: SLFURFPJ2KLG

Size: A4 Page: 1 of 1  
 Rev. 1.0 Date: 05/05/2011

<b>R.V.R.</b> ELETTRONICA	NOME PROGETTO: PJ1000LIGHT	NOME PARTE: SCHEDA FUSE RF
	AUTORE: GASPERINI	DATA: 05/10/2005 REVISIONE: 1.0 SCALA: \ SIZE: A4 PAGINA: 1 DI 1
ARCHIVIAZIONE ELETTRONICA: "CARTELLA PROGETTI" SU "UT_SRV"	CODICE PROGETTO: 921	CODICE DISEGNO: SLFURFPJ1KLG
MATERIALE: <>	TRATTAMENTO: <>	PROFILO: <> STATO: ESECUTIVO

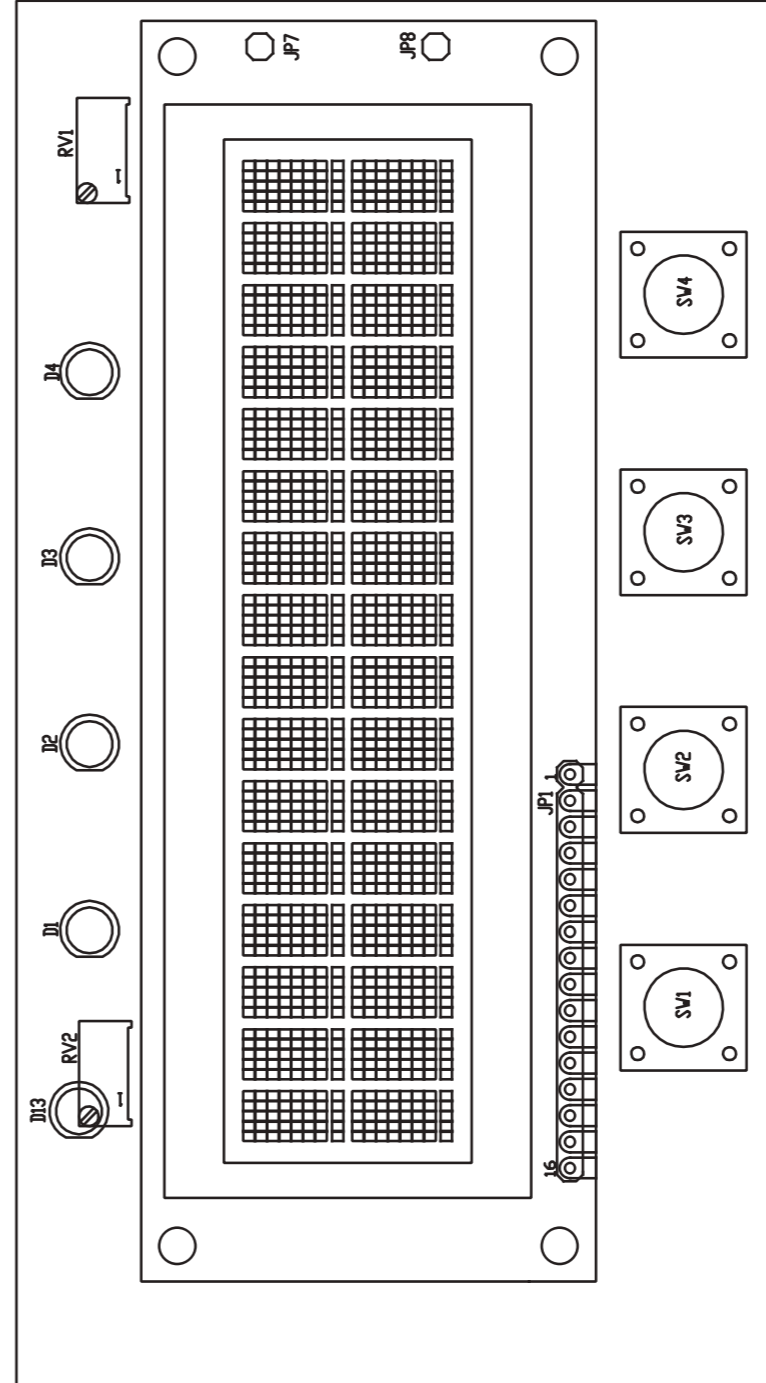
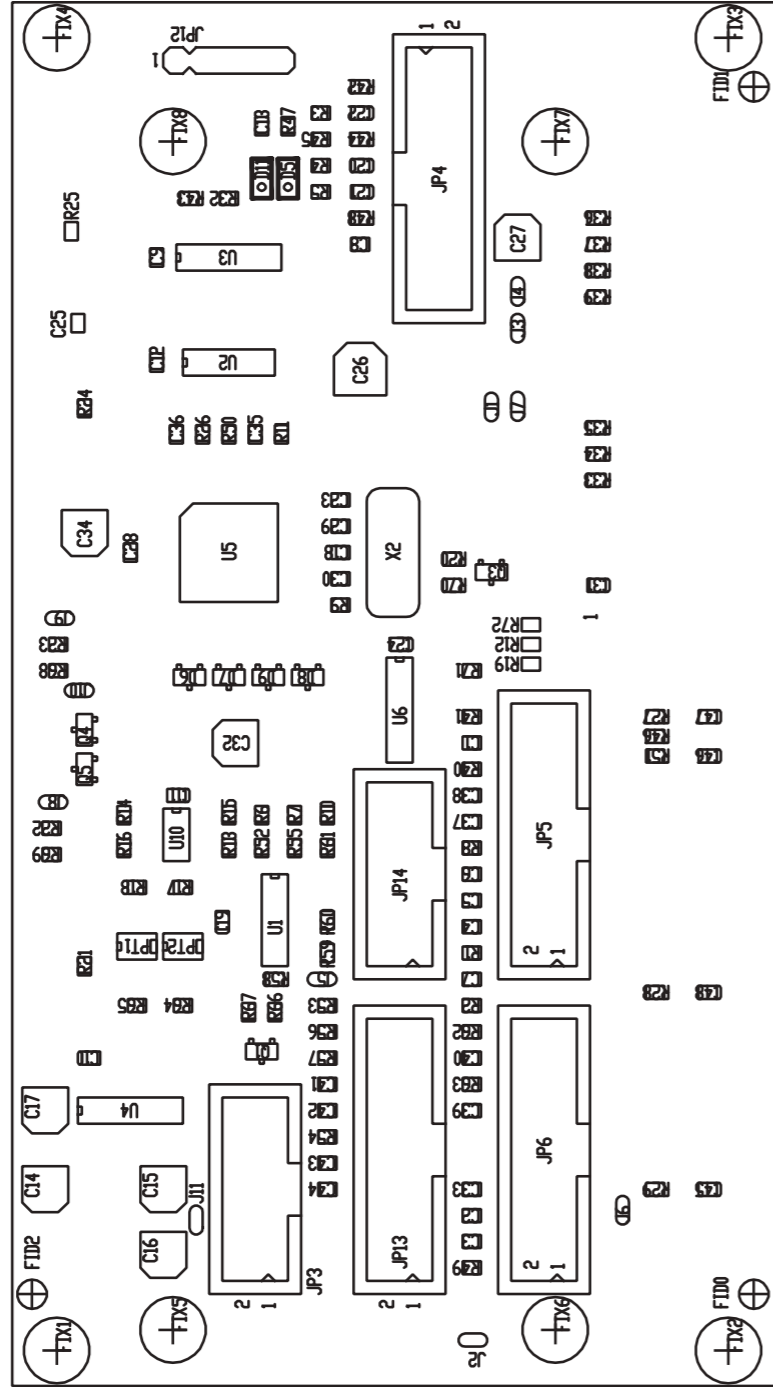
SLFUSTEX1K6LG

Fuse Card SLFURFPJ2KLG  
 05/05/2011 Revision: 1.0  
 Franceschi A.

Item	Quantity	Reference	Part	Description
1	4	C1, C4, C7, C13	100nF	COND.MULTISTR.100NF 20% 5,08MM 50V
2	7	C2, C3, C5, C6, C8, C9, C15	4n7	COND.CER. 4NF7 P5,08 10% 50V N150
3	1	C14	680 nf 63V	COND. POL. 680NF 5% 5,08MM 100V
4	4	D1, D2, D3, D5	LED-G5	LED COLORE VERDE DIAMETRO 5MM.
5	3	F1, F2, F3	10X38 25 A	FUSIBILE 10X38MM RAPIDO 25AMP
6	1	F4	NC	NOTCONNECTED
7	1	F5	5X20 2 A	FUSIBILE 5X20MM RAPIDO 4AMP
8	3	PF1, PF2, PF3	PFS10X38PICS	PORTAFUS. A PINZA DA CS 10X38 (2 X 4PZ)
9	1	PF5	PFS5X20CS	PORTAFUS. DA C.S. 5X20MM
10	4	R1, R2, R3, R5	10K	RES. STRATO METALLICO 1/4W 1% 10K
11	10	U1, U2, U3, U4, U5, U6, U7, U8, U9, U10	PAD	
12	1	CS1	CSFUSPJ1KC-2	CIRC.STAMP.FUSIBILI SEZ.RF PJ1KCOMP



SLPC0436R01V03



PRODUCT NAME : TEX-LCD, P-J-LCD, LINK, URP | PART NAME : SEM.SCH.PANEL CARD PIC18F452

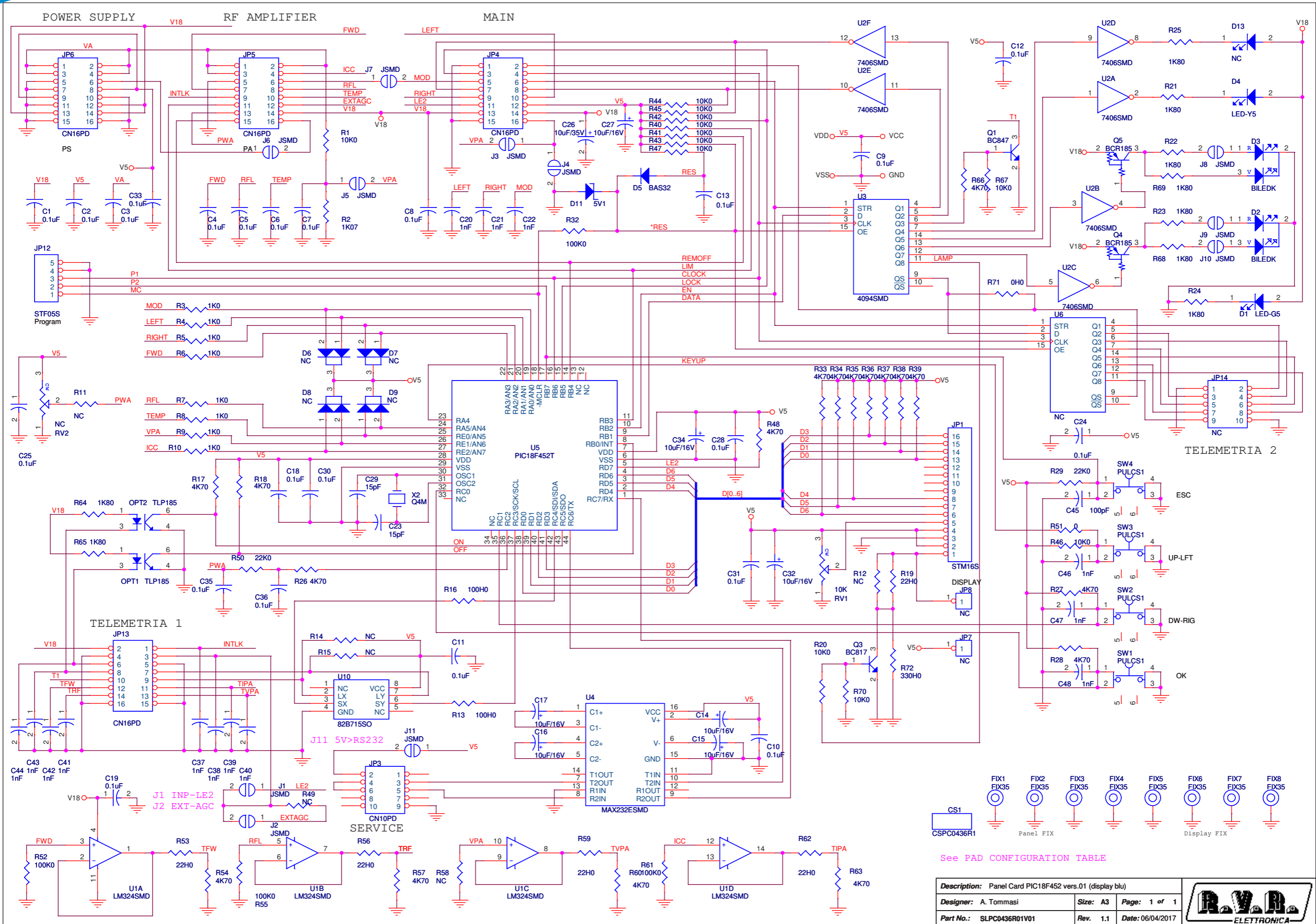
DESIGNER : A. TOMMASI

DATE : 03/09/15 | REVISION : 1.0 | SCALE : 1:1 | SIZE : A4 | PAGE : 1 DI 1

PROJECT CODE : <

DOCUMENT CODE : SLPC0436R01V01

SLPC0436R01V03



See PAD CONFIGURATION TABLE

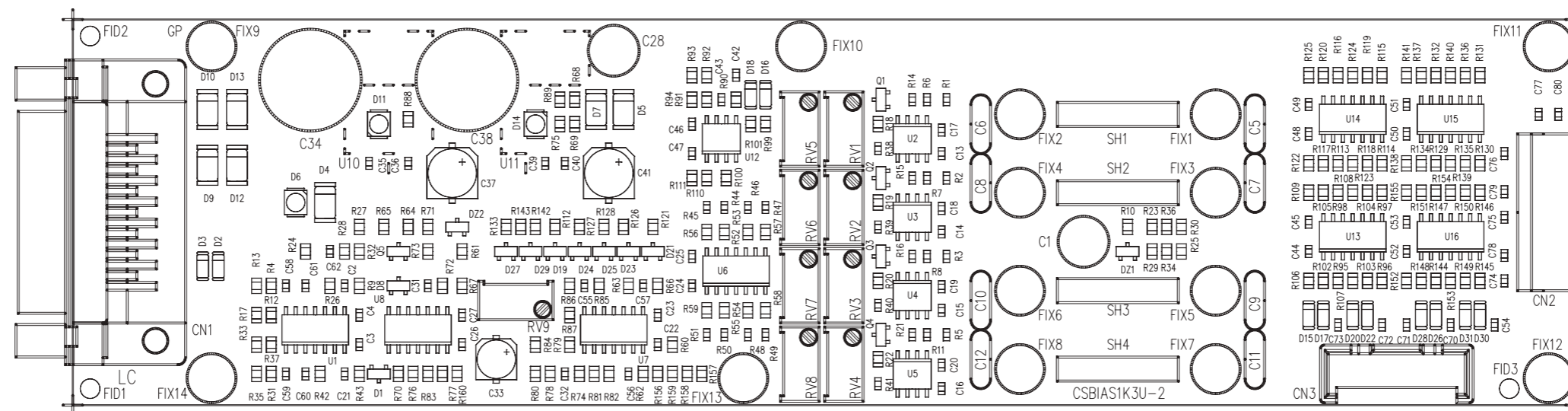
<b>Description:</b> Panel Card PIC18F452 vers.01 (display blu)		
<b>Designer:</b> A. Tommasi	<b>Size:</b> A3	<b>Page:</b> 1 of 1
<b>Part No.:</b> SLPC0436R01V01	<b>Rev.</b> 1.1	<b>Date:</b> 06/04/2017



SLPC0436R01V03

Panel Card PIC18F452 vers.01 (display blu)  
 SLPC0436R01V01 Revision: 1.1  
 06/04/2017  
 A. Tommasi

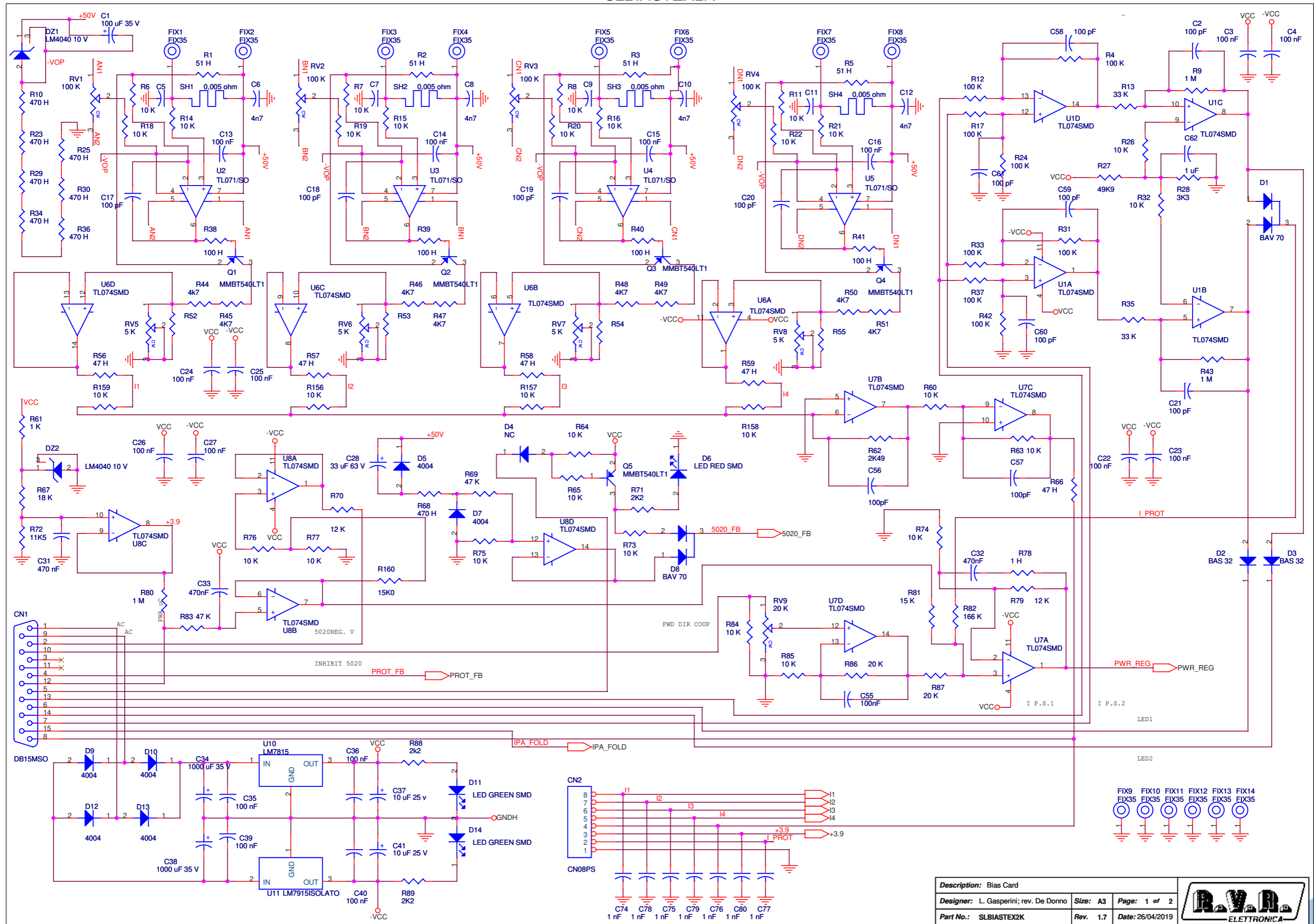
Item	Quantity	Reference	Part	Description	Code
1	1	CS1	CSPC0436R1	Circuito stampato	CSPC0436R1
2	23	C1,C2,C3,C4,C5,C6,C7,C8,C9,C10,C11,C12,C13,C18,C19,C24,C25,C28,C30,C31,C33,C35,C36	0.1uF	Cond. SMD 0805	CCC085104KXC
3	7	C14,C15,C16,C17,C27,C32,C34	10uF/16V	Cond. Elett. SMD d. 4mm	CES106A160
4	14	C20,C21,C22,C37,C38,C39,C40,C41,C42,C43,C44,C46,C47,C48	1nF	Cond. SMD 0805	CCC085102JNC
5	2	C23,C29	15pF	Cond. SMD 0805	CCC085150JCC
6	1	C26	10uF/35V	Cond. Elett. SMD d. 5mm	CES106B350
7	1	C45	100pF	Cond. SMD 0805	CCC085101JCC
8	1	D1	LED-G5	LED Verde dia. 5mm	LEDV05
9	2	D2,D3	BILEDK	Doppio led V-R 5mm Catodo com.	LEDB05
10	1	D4	LED-Y5	LED Giallo dia. 5mm	LEDG05
11	1	D5	BAS32	MINIMELF SMD Diode	DISBAS32MINI
12	4	D6,D7,D8,D9	NC	Doppio Diodo SMD SOT23	
13	1	D11	5V1	MINIMELF SMD Zener Diode	DIZ5V1MINI
14	1	D13	NC	LED Giallo dia. 5mm	
15	8	FIX1, FIX2, FIX3, FIX4, FIX5, FIX6, FIX7, FIX8	FIX35	Foro fissaggio 3.5mm	
16	1	JP1	STM16S	Strip femmina 16 pin	CNTSTM40SDA
17	1	JP3	CN10PD	Connettore 10 poli Flat cs	CNTMCS10A
18	4	JP4, JP5, JP6, JP13	CN16PD	Connettore 16 poli Flat cs	CNTMCS16A
19	2	JP7, JP8	NC	Strip femmina 1 pin	
20	1	JP12	STF05S	Strip femmina o 5 pin	CNTSTF10SDB
21	1	JP14	NC	Connettore 10 poli Flat cs	
22	11	J1,J2,J3,J4,J5,J6,J7,J8,J9,J10,J11	JSMD	Pad SMD a saldare	
23	2	OPT1, OPT2	TLP185	Optoisolatore SMD SO6	LEDTLP181
24	1	Q1	BC847	Trans. NPN SOT23	TRNBC847
25	1	Q3	BC817	Trans. NPN SOT23	TRNBC817
26	2	Q4, Q5	BCR185	Trans./Res. PNP SOT23	TRNBCR185
27	1	RV1	10K	Trimmer Rg O 3386X	RVT3386XK010
28	1	RV2	NC	Trimmer Rg V 3296W	
29	12	R1,R20,R40,R41,R42,R43,R44,R45,R46,R47,R67,R70	10K0	Res. SMD 0805 1%	RCH085F0010K
30	1	R2	1K07	Res. SMD 0805 1%	RCH085F01K07
31	8	R3,R4,R5,R6,R7,R8,R9,R10	1K0	Res. SMD 0805 1%	RCH085F0001K
32	6	R11,R12,R14,R15,R49,R58	NC	Res. SMD 0805 1%	
33	2	R13,R16	100H0	Res. SMD 0805 1%	RCH085F0100H
34	18	R17,R18,R26,R27,R28,R33,R34,R35,R36,R37,R38,R39,R48,R54,R57,R60,R63,R66	4K70	Res. SMD 0805 1%	RCH085F004K7
35	5	R19,R53,R56,R59,R62	22H0	Res. SMD 0805 1%	RCH085F0022H
36	9	R21,R22,R23,R24,R25,R64,R65,R68,R69	1K80	Res. SMD 0805 1%	RCH085F001K8
37	2	R29,R50	22K0	Res. SMD 0805 1%	RCH085F0022K
38	4	R32,R52,R55,R61	100K0	Res. SMD 0805 1%	RCH085F0100K
39	2	R51,R71	0H0	Res. SMD 0805 1%	RCH085F0000H
40	1	R72	330H0	Res. SMD 0805 1%	RCH085F0330H
41	4	SW1, SW2, SW3, SW4	PULCS1	Pulsante cs	PLC1V1M000M
42	1	U1	LM324SMD	Quad Op. SMD SO14	CILLM324SMD
43	1	U2	7406SMD	Hex inv OC SMD SO14	CID7406SMD
44	1	U3	4094SMD	Shift Reg. SMD SO16	CID4094SMD
45	1	U4	MAX232ESMD	RS232 Driver SMD SO16	CIDMX232CSES
46	1	U5	PIC18F452T	TQFP44 SMD Microprocessor	CIDPIC18F452
47	1	U6	NC	Shift Reg. SMD SO16	
48	1	U10	82B715SO	IIC Bus driver SMD SO8	CID82B715SMD
49	1	X2	Q4M	Quarzo SMD HC49SMD	QRZ000004MC



Nome Progetto: TEX1000		Pagina: 1 di 1		Size: A4
Autore: Ufficio Tecnico		Data: 22/01/04	Codice Progetto: 010	
Nome PC in Rete: \\UT_SRV\PROGETTI		Revisione: 1.2	Nome Parte: Scheda Bias TEX1000/PJ1000C	
File/Cartella: MANUALI\TEX1000\SLBIAS1K3U-2\bias1k3u-2.dwg		Autorizzazione:	Codice: SLBIAS1K3U-2	
Scala: /	Materiale: /	Trattamento: /	Profilo: /	



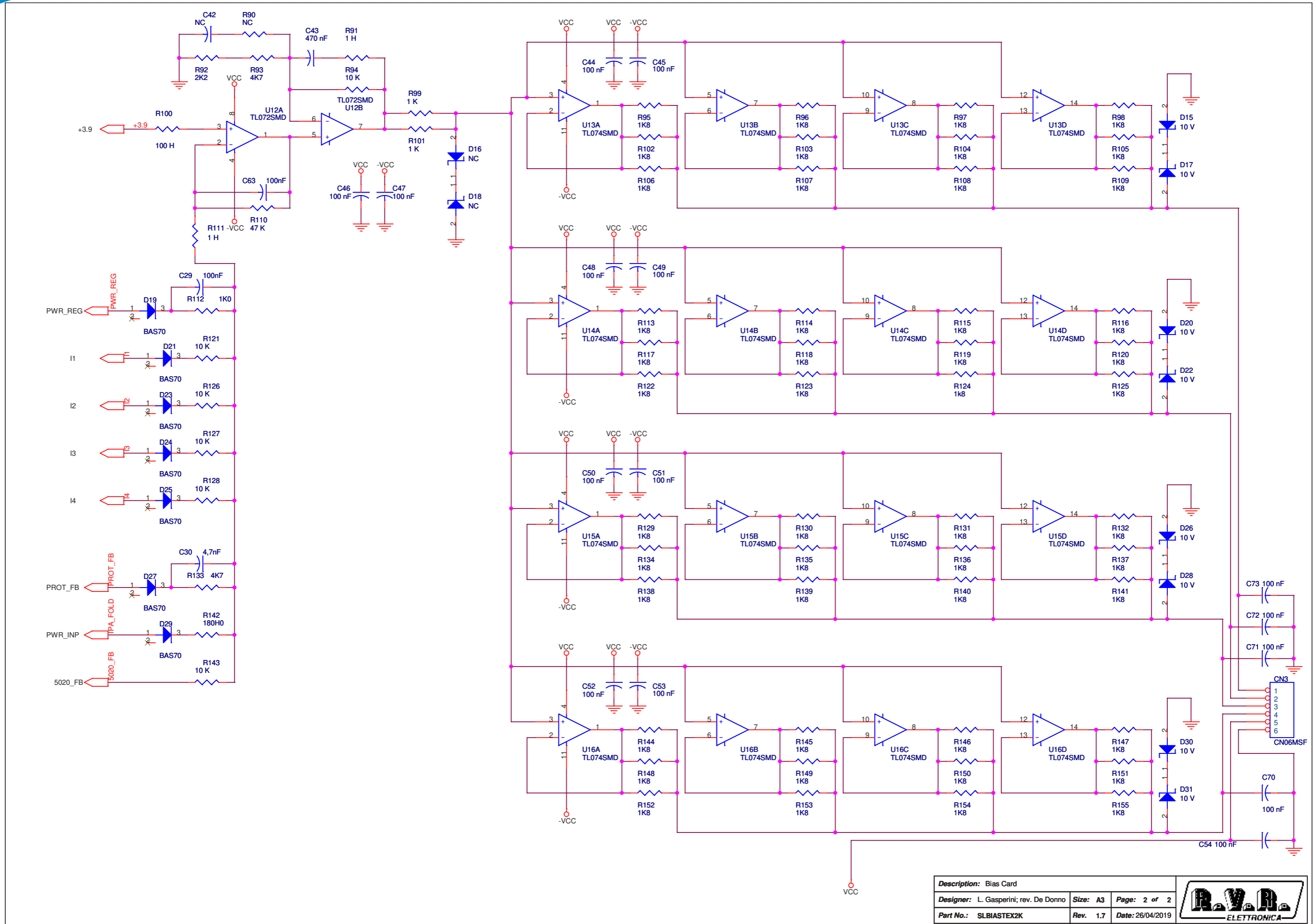
**SLBIASTEX2K**



<b>Description:</b> Bias Card		
<b>Designer:</b> L. Gasperini; rev. De Donno	<b>Size:</b> A3	<b>Page:</b> 1 of 2
<b>Part No.:</b> SLBIASTEX2K	<b>Rev.:</b> 1.7	<b>Date:</b> 26/04/2019



SLBIATESTX2K



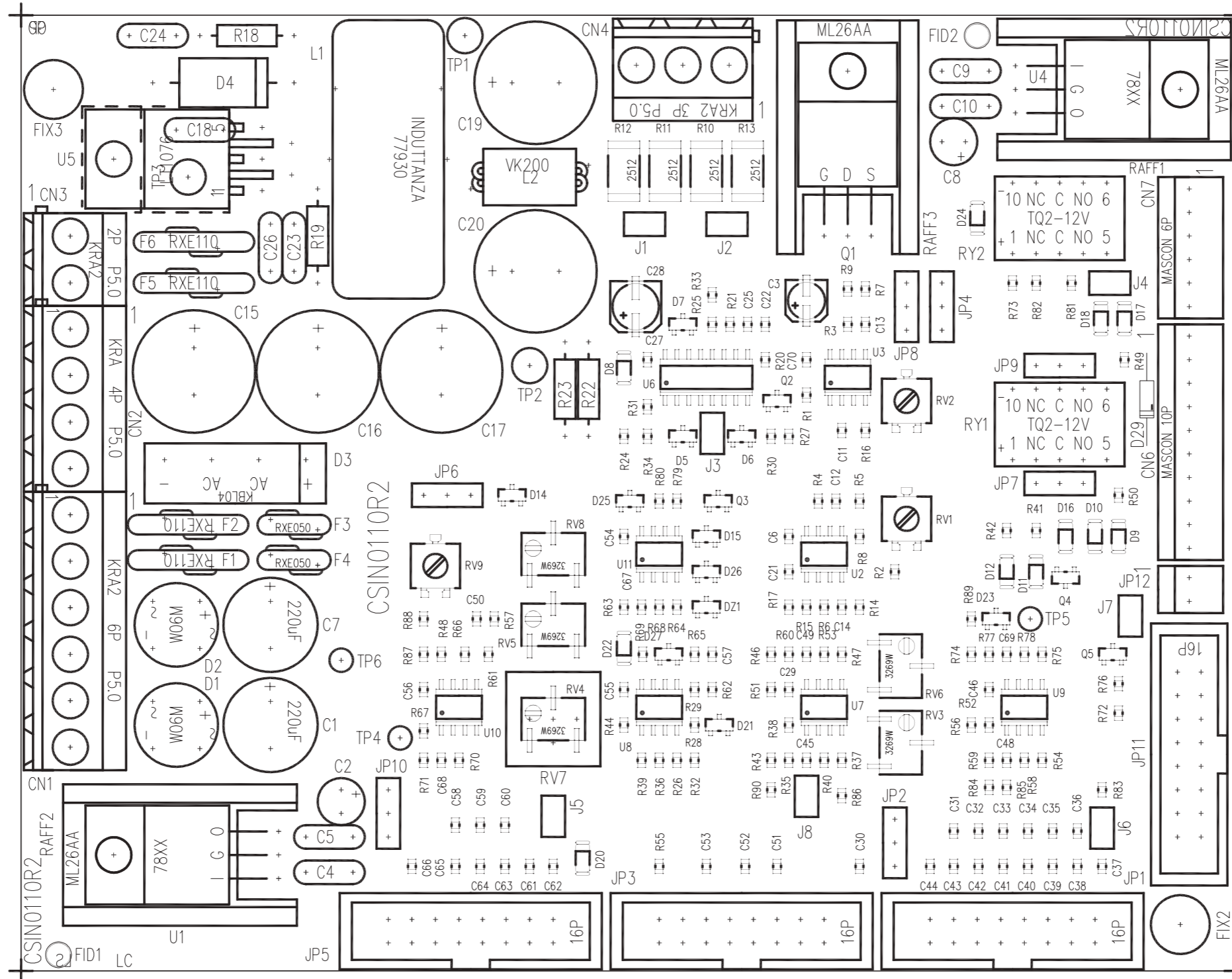
Description: Bias Card				
Designer: L. Gasperini; rev. De Donno	Size: A3			Page: 2 of 2
Part No.: SLBIATESTX2K	Rev. 1.7			Date: 26/04/2019

SLBIATESTX2K

BIAS Card Revised: 26/04/2019  
 SLBIATESTX2K Revision: 1.7  
 L. Gasperini; rev. De Donno

Item	Q.ty	Reference	Part
1	1	CN1	DB15MSO
2	1	CN2	CN08PS
3	1	CN3	CN06MSF
4	1	C1	100 uF 35 V
5	12	C2, C17, C18, C19, C20, C21, C56, C57, C58, C59, C60, C61	100 pF
6	31	C3, C4, C13, C14, C15, C16, C22, C23, C24, C25, C26, C27, C35, C36, C39, C40, C44, C45, C46, C47, C48, C49, C50, C51, C52, C53, C54, C70, C71, C72, C73, C55, C29, C63	100 nF
7	8	C5, C6, C7, C8, C9, C10, C11, C12, C30	4n7
8	1	C28	33 uF 63 V
9	2	C31, C43, C32	470 nF
10	2	C37, C41	10 uF 25 V
10A	1	C33	470nF
11	2	C34, C38	1000 uF 35 V
12	7	C42, R90, R142, D16, D18, D4	NC
13	8	C74, C75, C76, C77, C78, C79, C80	1 nF
14	1	C62	1 uF
15	2	DZ2, DZ1	LM4040 10 V
16	2	D8, D1	BAV 70
17	2	D3, D2	BAS 32
18	7	D5, D7, D9, D10, D12, D13	4004
19	3	D6	LED SMD RED 3X2,6 MM
20		D11, D14	LED SMD GREEN 3X2,6 MM
21	8	D15, D17, D20, D22, D26, D28, D30, D31	10 V
22	7	D19, D21, D23, D24, D25, D27, D29	BAS70
23	14	FIX1, FIX2, FIX3, FIX4, FIX5, FIX6, FIX7, FIX8, FIX9, FIX10, FIX11, FIX12, FIX13, FIX14	FIX35
24	5	Q1, Q2, Q3, Q4, Q5	MMBT540LT1
25	4	RV1, RV2, RV3, RV4	100K
26	4	RV5, RV6, RV7, RV8	5K
27	1	RV9	20K
28	4	R1, R2, R3, R5	51 H
29	8	R4, R12, R17, R24, R31, R33, R37, R42	100 K
30	35	R6, R7, R8, R11, R14, R15, R16, R18, R19, R20, R21, R22, R26, R32, R60, R63, R64, R65, R73, R74, R75, R76, R77, R84, R85, R94, R121, R126, R127, R128, R143, R156, R157, R158, R159	10 K
31	3	R9, R43, R80	1 M
32	8	R10, R23, R25, R29, R30, R34, R36, R68	470 H
33	2	R35, R13	33 K
34	1	R27	49K9
35	1	R28	3K3
36	5	R38, R39, R40, R41, R100	100 H
37	14	R44, R45, R46, R47, R48, R49, R50, R51, R52, R53, R54, R55, R93, R133	4K7
38	5	R56, R57, R58, R59, R66	47 H
39	3	R61, R99, R101, R112	1 K
40	1	R62	2K49
41	1	R67	18 K
42	3	R69, R83, R110	47 K
43	2	R70, R79	12 K
44	5	R71, R88, R89, R92	2K2
45	1	R72	11K5
46	3	R78, R91, R111	1 H
47	2	R81, R160	15 K

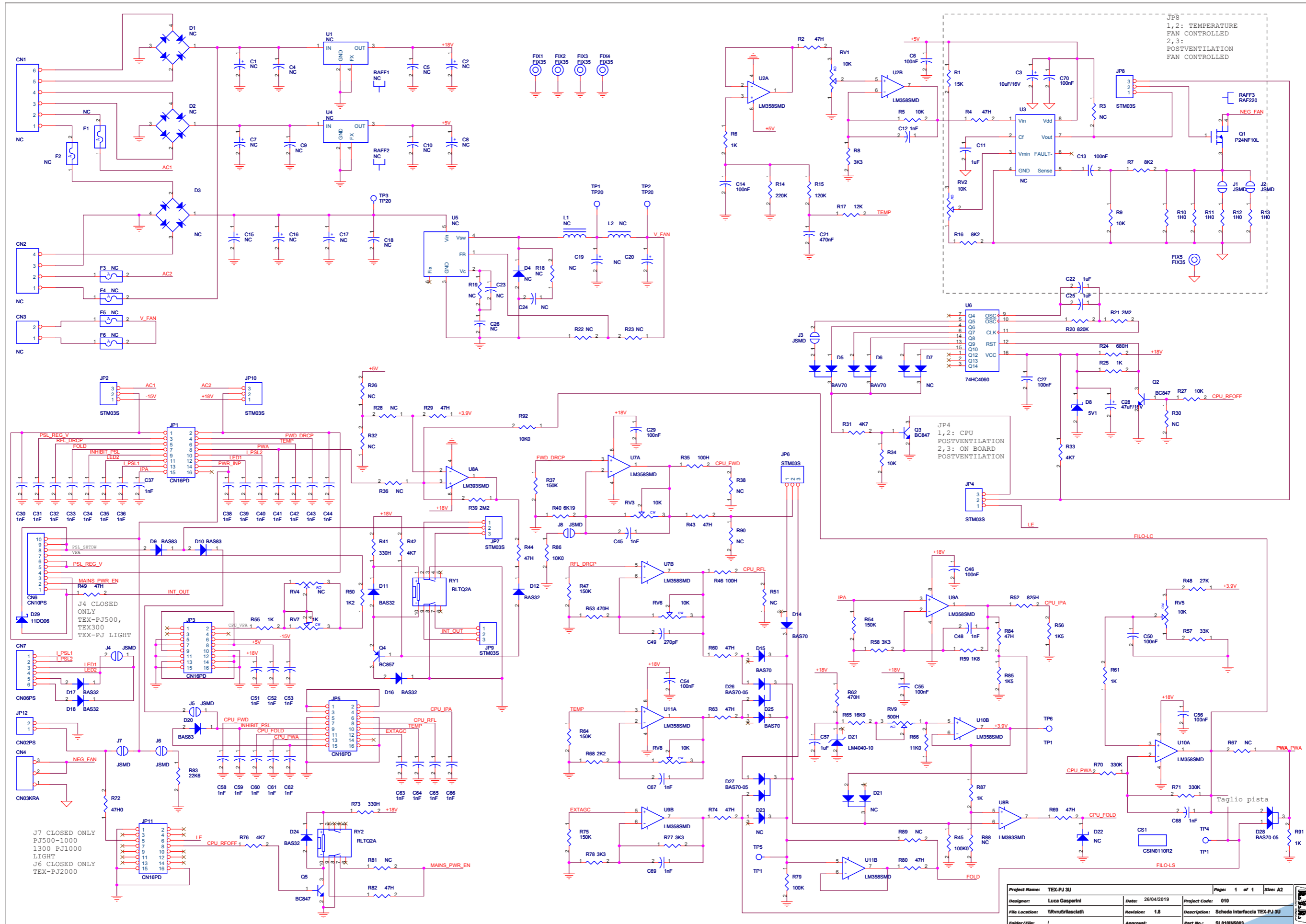
Item	Q.ty	Reference	Part
48	1	R82	165 K
49	2	R86, R87	20 K
50	48	R95, R96, R97, R98, R102, R103, R104, R105, R106, R107, R108, R109, R113, R114, R115, R116, R117, R118, R119, R120, R122, R123, R124, R125, R129, R130, R131, R132, R134, R135, R136, R137, R138, R139, R140, R141, R144, R145, R146, R147, R148, R149, R150, R151, R152, R153, R154, R155	1K8
51	1	R142	180 H
52	4	SH1, SH2, SH3, SH4	0,005 ohm
53	8	U1, U6, U7, U8, U13, U14, U15, U16	TL074SMD
54	4	U2, U3, U4, U5	TL071/SO
55	1	U10	LM7815
56	1	U11	LM7912ISOLATO
57	1	U12	TL072SMD



	PRODUCT NAME: TEX-LCD	PART NAME: INTERFACE CARD				
	DESIGNER: L. GASPERINI	DATE: 29/07/2015	REVISION: 1.1	SCALE: 2:1	SIZE: A3	PAGE: 1 DI 1
ARCHIVING: "RVRUT" SERVER, "RILASCIATI" FOLDER	PROJECT CODE: 010	DOCUMENT CODE: SLO10IN5003				



SL010IN5003



Project Name:	TEX-PJ 3U	Page:	1 of 1	Size:	A2
Designer:	Luca Gasparini	Date:	26/04/2019	Project Code:	010
File Location:	WVnutrifasciati	Revision:	1.8	Description:	Scheda interfaccia TEX-PJ 3U
Folder/File:	/	Approval:		Part No.:	SL010IN5003

SL010IN5003

Scheda interfaccia TEX-PJ 3U Revised: 26/04/2019  
 SL010IN5003 Revision: 1.8  
 Luca Gasperini  
 TEX-PJ 3U

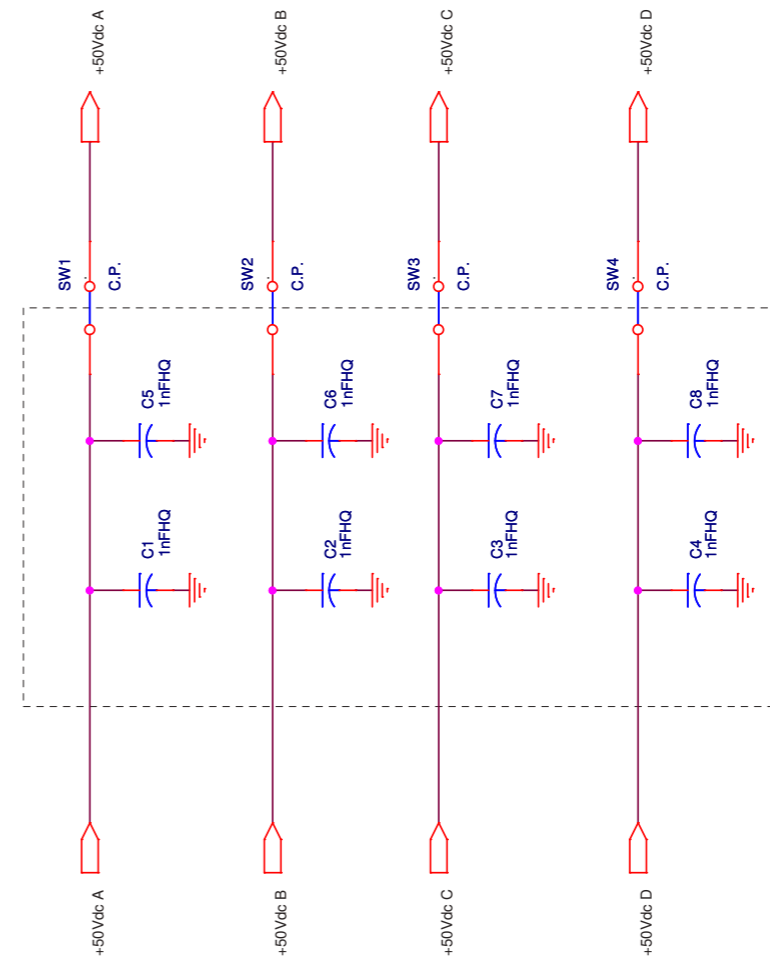
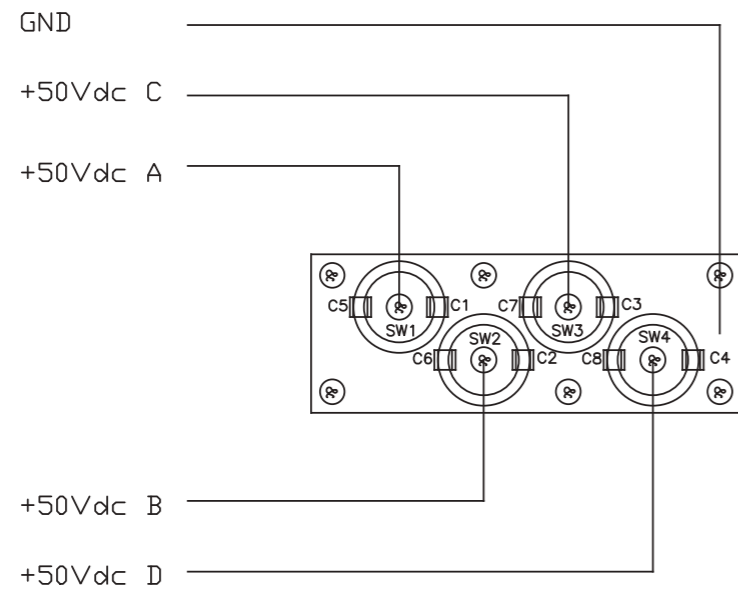
Item	Quantity	Reference	Part	Description
1	1	CN1	NC	Conn. tipo KRA a 6 poli
2	1	CN2	NC	Conn. tipo KRA a 4 poli
3	1	CN3	NC	Conn. tipo KRA a 2 poli
4	1	CN4	CN03KRA	Conn. tipo KRA a 3 poli
5	1	CN6	CN10PS	Connettore 10 poli Mascon
6	1	CN7	CN06PS	Connettore 6 poli Mascon
7	1	CS1	CSIN0110R2	Circuito stampato
8	2	C1,C7	NC	Cond. Elettr. Dia 10 P5.08
9	2	C2,C8	NC	Cond. Elettr. Dia 5 P2.54
10	1	C3	10uF/16V	Cond. Elett. SMD d. 4mm
11	8	C4,C5,C9,C10,C18,C23,C24,C26	NC	Cond. ceramico multistrato p 5mm
12	11	C6,C13,C14,C27,C29,C46,C50,C54,C55,C56,C70	100nF	Cond. SMD 0805
13	4	C11,C22,C25,C57	1uF	Cond. SMD 0805
14	33	C12,C30,C31,C32,C33,C34,C35,C36,C37,C38,C39,C40,C41,C42,C43,C44,C45,C48,C51,C52,C53,C58,C59,C60,C61,C62,C63,C64,C65,C66,C67,C68,C69	1nF	Cond. SMD 0805
15	5	C15,C16,C17,C19,C20	NC	Cond. Elettr. Dia 13 P5.08
16	1	C21	470nF	Cond. SMD 0805
17	1	C28	47uF/16V	Cond. Elett. SMD d. 5mm
18	1	C49	270pF	Cond. SMD 0805
19	1	DZ1	LM4040-10	Diodi Zener SMD SOT23
20	2	D1,D2	NC	Ponte diodi tondi W
21	1	D3	NC	Ponte diodi KBL/KBU
22	1	D4	NC	Diodo plastico P600
23	2	D5,D6	BAV70	Doppio Diodo SMD SOT23
24	1	D8	5V1	MINIMELF SMD Zener Diode
25	3	D9,D10,D20	BAS83	MINIMELF SMD Diode
26	6	D11,D12,D16,D17,D18,D24	BAS32	MINIMELF SMD Diode
27	3	D14,D15,D25	BAS70	Diodo SMD SOT23
28	3	D26,D27,D28	BAS70-05	Doppio Diodo SMD SOT23
29	1	D22	NC	MINIMELF SMD Zener Diode
30	3	D23, D7, D21	NC	Diodo SMD SOT23
31	1	D29	11DQ06	Diodo Schottky
32	5	FIX1, FIX2, FIX3, FIX4, FIX5	FIX35	Foro fissaggio 3.5mm
33	1	F1	NC	Fusibile autorip. 13mm
34	5	F2,F3,F4,F5,F6	NC	Fusibile autorip. 7mm
35	4	JP1,JP3,JP5,JP11	CN16PD	Conn.M.C.S.Dritto 16P alette
36	7	JP2,JP4,JP6,JP7,JP8,JP9,JP10	STM03S	Strip maschio 3 pin

37	1	JP12	CN02PS	Connettore 2 poli Mascon
38	8	J1,J2,J3,J4,J5,J6,J7,J8	JSMD	Pad SMD a saldare
39	1	L1	NC	Induttanza toroidale
40	1	L2	NC	Induttanza cilindrica VK200
41	1	Q1	P24NF10L	Trans. FET N TO220
42	3	Q2,Q3,Q5	BC847	Trans. NPN SOT23
43	1	Q4	BC857	Trans. PNP SOT23
44	2	RAFF1,RAFF2	NC	Dissipatore TO220
45	1	RAFF3	RAF220	Dissipatore TO220
46	2	RV1,RV2	10K	Trimmer SMD
47	4	RV3,RV5,RV6,RV8	10K	Trimm. multi SMD 3269
48	1	RV4	NC	Trimm. multi SMD 3269
49	1	RV7	1K	Trimmer Rg V 3386P
50	1	RV9	500H	Trimmer SMD
51	2	RY1,RY2	RLTQ2A	Rele' TQ2
52	1	R1	15K	Res. SMD 0805
53	14	R2,R4,R29,R43,R44,R49,R60,R63,R69,R72,R74,R80,R82,R84	47H	Res. SMD 0805
54	13	R3,R26,R28,R30,R32,R36,R38,R51,R67,R81,R88,R89,R90	NC	Res. SMD 0805
55	6	R5,R9,R27,R34,R86,R92	10K	Res. SMD 0805
56	6	R6,R25,R55,R61,R87,R91	1K	Res. SMD 0805
57	2	R7,R16	8K2	Res. SMD 0805
58	4	R8,R58,R77,R78	3K3	Res. SMD 0805
59	4	R10,R11,R12,R13	1H0	Res. SMD 2512 1%
60	1	R14	220K	Res. SMD 0805
61	1	R15	120K	Res. SMD 0805
62	1	R17	12K	Res. SMD 0805
63	4	R18,R19,R22,R23	NC	Res. 1/4W
64	1	R20	820K	Res. SMD 0805
65	2	R21,R39	2M2	Res. SMD 0805
66	1	R24	680H	Res. SMD 0805
67	4	R31,R33,R42,R76	4K7	Res. SMD 0805
68	2	R35,R46	100H	Res. SMD 0805
69	5	R37,R47,R54,R64,R75	150K	Res. SMD 0805
70	1	R40	6K19	Res. SMD 0805
71	2	R41,R73	330H	Res. SMD 0805
72	2	R45,R79	100K	Res. SMD 0805
73	1	R48	27K	Res. SMD 0805
74	1	R50	1K2	Res. SMD 0805
75	1	R52	825H	Res. SMD 0805
76	2	R53,R62	470H	Res. SMD 0805
77	2	R56,R85	1K5	Res. SMD 0805
78	1	R57	33K	Res. SMD 0805
79	1	R59	1K8	Res. SMD 0805
80	1	R65	16K9	Res. SMD 0805
81	1	R66	11K0	Res. SMD 0805
82	1	R68	2K2	Res. SMD 0805

SL010IN5003

83	2 R70,R71	330K	Res. SMD 0805
84	1 R83	22K6	Res. SMD 0805
85	3 TP1,TP2,TP3	TP20	Foro dia. 2mm
86	3 TP4,TP5,TP6	TP1	Test point
87	2 U1,U4	NC	Stabilizzatore TO220F Isolato
88	5 U2,U7,U9,U10,U11	LM358SMD	Dual Op. SMD SO8
89	1 U3	NC	Fan controller SO8
90	1 U5	NC	Regolatore switching
91	1 U6	74HC4060	Divider SMD SO16
92	1 U8	LM393SMD	Dual Op. SMD SO8
93	7 Ponticello per connettore strip da CS	JUMPER	JUMPER

SLFILPJ1KM



Description: Passthrough Card	
Designer: Franceschi A.	Page: 1 of 1
Part No.: SLFILPJ1KM	Rev. 2.1
	Date: 17/06/2013

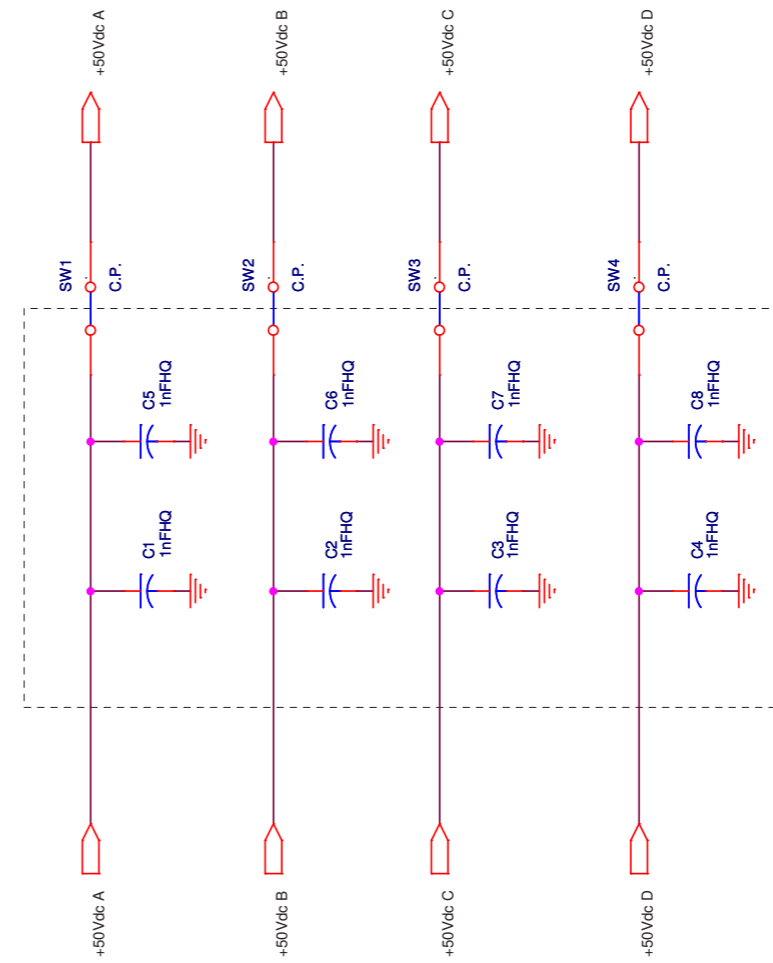
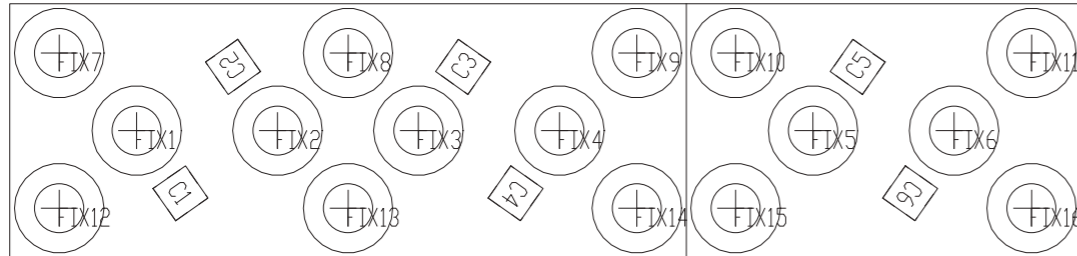
	PRODUCT NAME : TEX-TFT	PART NAME : PASSTHROUGH CARD			
	DESIGNER : FRANCESCHI A.	DATE : 17/06/13	REVISION : 1.0	SCALE : 1:1	SIZE : A4
ARCHIVING : "RVRUT" SERVER, "RILASCIATI" FOLDER	PROJECT CODE : 252	DOCUMENT CODE : SLFILPJ1KM			

SLFILPJ1KM

Passthrough Card Revised: 17/06/2013  
SLFILPJ1KM Revision: 2.1  
Franceschi A.

Item	Quantity	Reference	Part
1	8	C1, C2, C3, C4, C5, C6, C7, C8	1nFHQ
2	4	SW1, SW2, SW3, SW4	C.P.

SL176FI1001



Description: Passthrough Card	
Designer: Franceschi A.	Page: 1 of 1
Part No.: SLFILPJ1KM	Rev. 2.1
	Date: 17/06/2013

	PRODUCT NAME : ATVCA2K0LUI	PART NAME : PASS THROUGH FILTER				
	DESIGNER : G. DE DONNO	DATE : 29/06/20	REVISION : 2.0	SCALE : 2:1	SIZE : A4	PAGE : 1 DI 1
ARCHIVING : "RVRUT" SERVER, "RILASCIATI" FOLDER	PROJECT CODE : <	DOCUMENT CODE : SL17FI1001				

SL176FI1001

Passaparete Revised: 13/11/2015  
 SL176FI1001 Revision: 1.1  
 TEX2000  
 Luca Gasperini

Item	Quantity	Reference	Part
1	1	CS1	CSPAS: Circuito stampato
2	4	C1, C2, C3, C4	470pF Cond. SMD 1212 HQ
3	16	FIX1, FIX2, FIX3, FIX4, FIX5, FIX6, FIX7, FIX8, FIX9, FIX10, FIX11, FIX12, FIX13, FIX14, FIX15, FIX16	FIX35 Foro fissaggio 3.5mm
3	2	C5, C6	NC



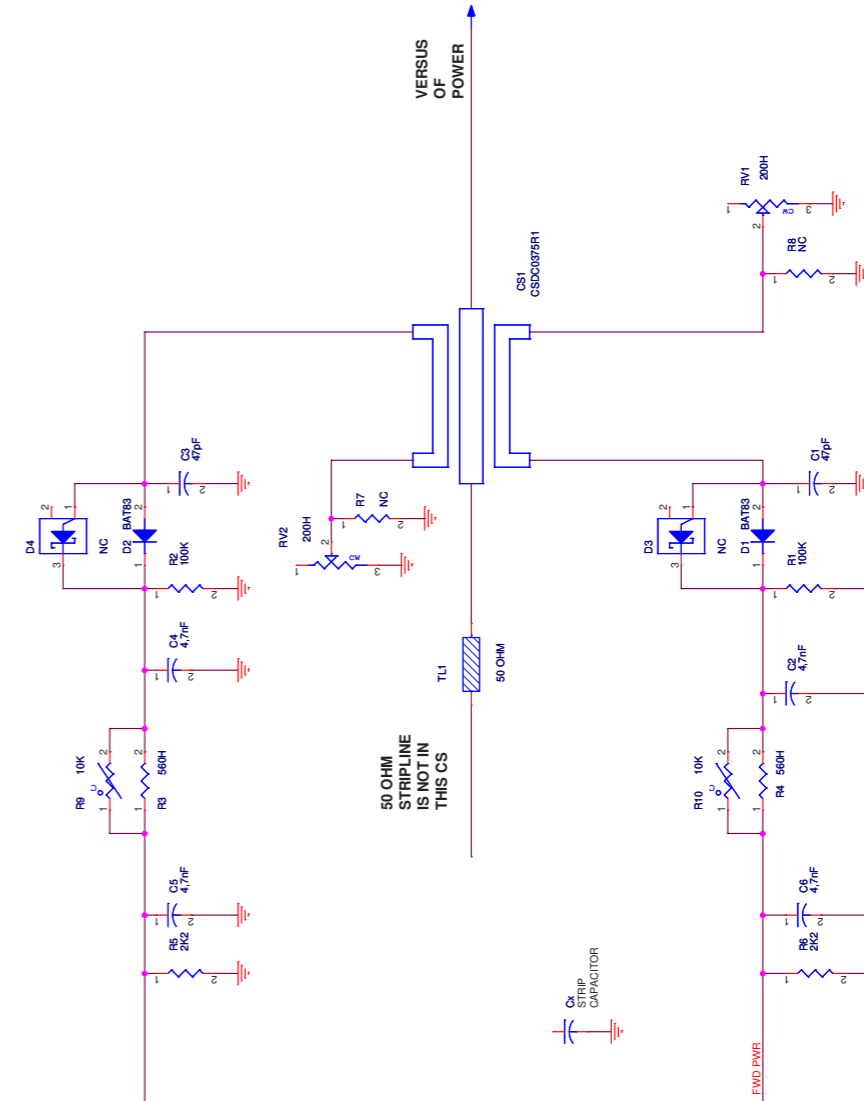
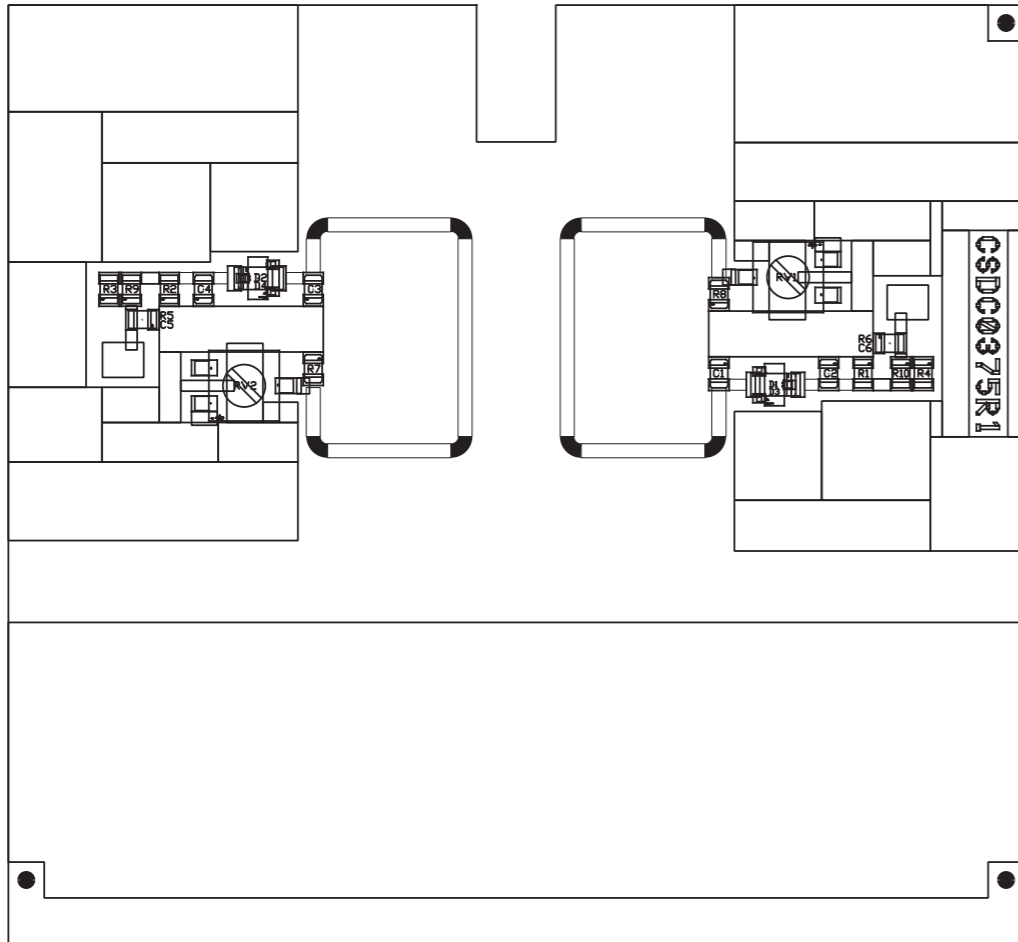


SL024MT1001

Thermal Probe  
Revision: 1.1  
Thermal Probe  
Mauro Ucelli  
04/26/19

tem	Quantity	Reference	Part	Description
1	4	C1,C2,C4,C5	4n7	Cond. SMD 0805
2	2	C3,C6	470n	Cond. SMD 0805
3	1	D1	9V1	MINIMELF SMD Zener Diode
4	1	D2	BAS70	Diodo Shottky SOT23
5	3	FIX1,FIX2,FIX3	FIX35	Foro fissaggio 3.5mm
6	1	J1	JSMDC	Pad SMD a saldare chiuso
7	1	PAD1	V-SUPPLY	
8	1	PAD2	GND	
9	1	PAD3	V-SIGNAL	
10	3	R1,R3,R4	680R	Res. SMD 0805
11	1	R2	51R	Res. SMD 0805
12	1	U1	LM50C_SMD	Temperature sensor
13	1	CS1	CSMT0208R1	Circuito stampato

SLDC0375R01V01



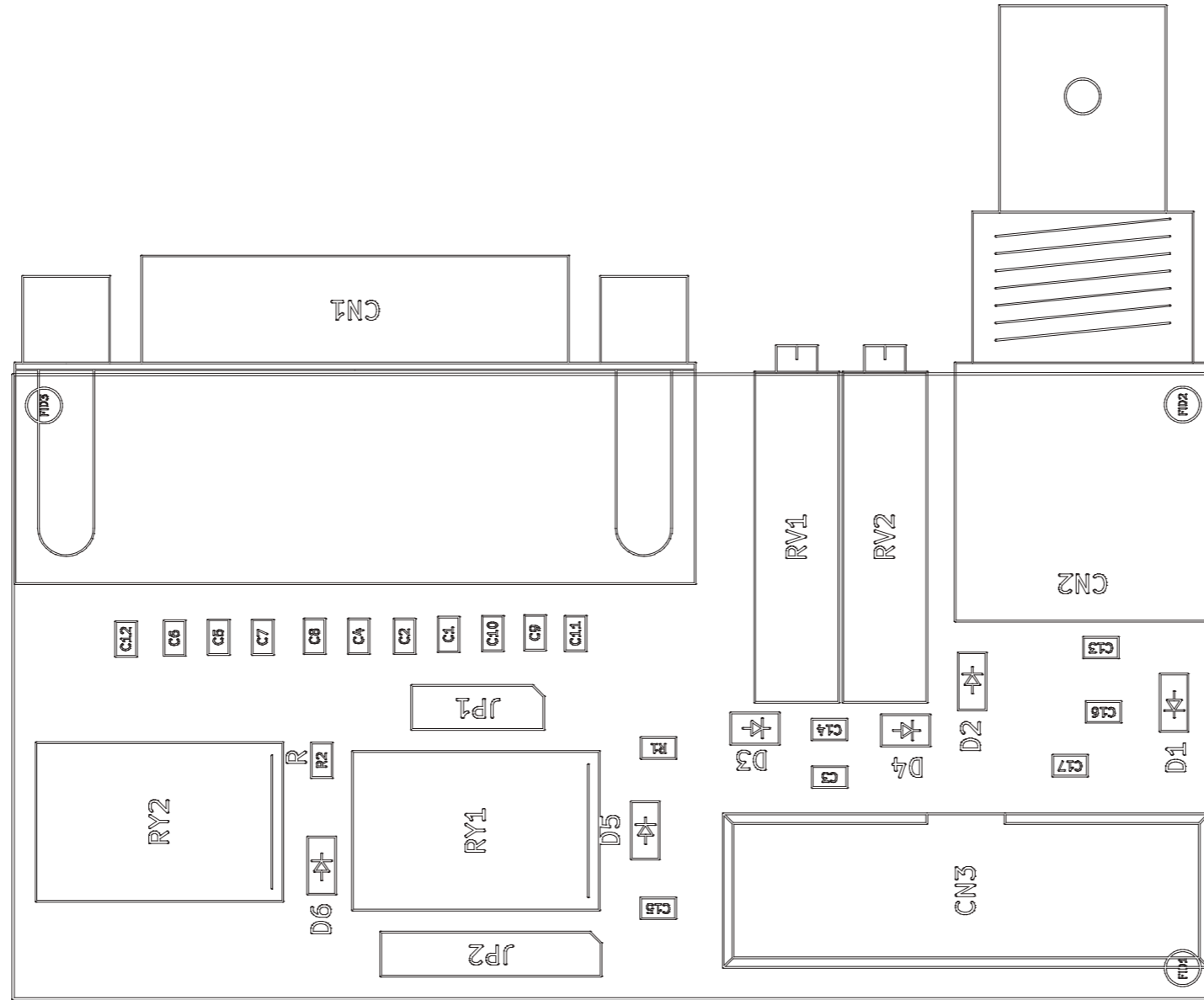
Description: Directional Coupler  
 Designer: Franceschi A.  
 Part No.: SLDC0375R01V01  
 Rev. 1.2 Date: 03/10/2019  
 Size: A3 Page: 1 of 1  
 Rev. 1.2 Date: 03/10/2019

	PRODUCT NAME : TEX-LCD GREEN LINE	PART NAME : DIRECTIONAL COUPLER			
	DESIGNER : FRANCESCHI A.	DATE : 03/10/19	REVISION : 1.2	SCALE : 2:1	SIZE : A4
ARCHIVING : *RVRT* SERVER, *RILASCIATI* FOLDER	PROJECT CODE : <	DOCUMENT CODE : SLDC0375R01V**			

SLDC0375R01V01

DIRECTIONAL COUPLER Revised: 03/10/2019  
 SLDC0375R01V01 Revision: 1.2  
 Franceschi A.

Item	Quantity	Reference	Part	{description}
1	1	CS1	CSDC0375R1	
2	1	Cx	27pFTFL	
3	2	C3, C1	47pF	Cond. SMD 0805
4	4	C2, C4, C5, C6	4,7nF	Cond. SMD 0805
5	2	D3, D4	NC	
6	2	D1, D2	BAT83	MINIMELF Diode
7	2	RV2, RV1	200H	Trimmer SMD
8	2	R1, R2	100K	Res. SMD 0805
9	2	R3, R4	560H	Res. SMD 0805
10	2	R5, R6	2K2	Res. SMD 0805
11	2	R9, R10	10K	Res. NTC SMD 0805
12	2	R7, R8	NC	Res. SMD 0805
13	1	TL1	50 OHM	Linea strip CS



PRODUCT NAME : TEX-TFT

DESIGNER : FRANCESCHI A.

ARCHIVING : 'RVRUT' SERVER, 'RILASCIATI' FOLDER

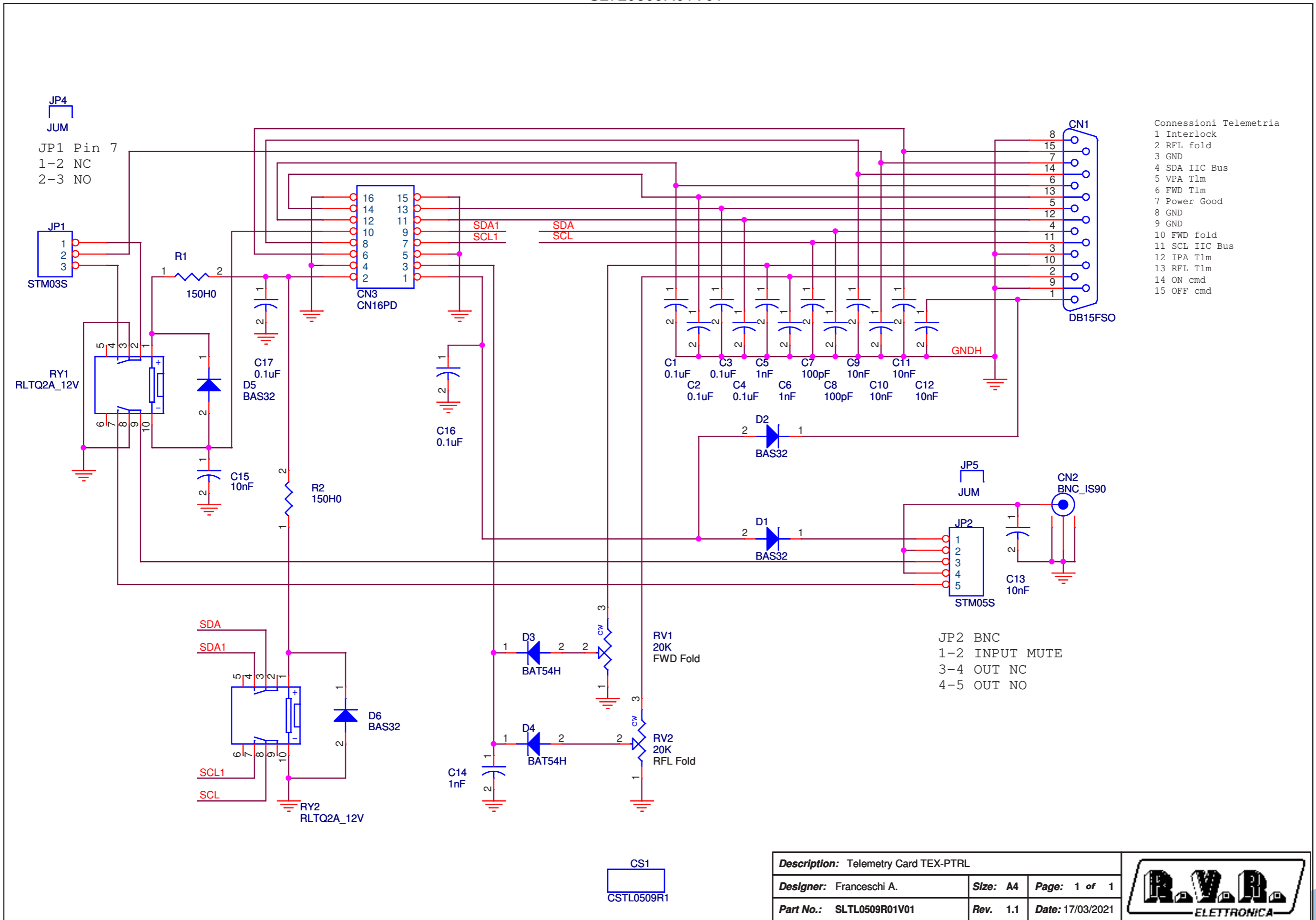
PART NAME : TELEMETRY CARD

DATE : 22/06/20 | REVISION : 1.0 | SCALE : 2:1 | SIZE : A4 | PAGE : 1 DI 1

DOCUMENT CODE : SLTL0509R01V\*\*

PROJECT CODE : <>

SLTL0509R01V01



<b>Description:</b> Telemetry Card TEX-PTRL		
<b>Designer:</b> Franceschi A.	<b>Size:</b> A4	<b>Page:</b> 1 of 1
<b>Part No.:</b> SLTL0509R01V01	<b>Rev.:</b> 1.1	<b>Date:</b> 17/03/2021

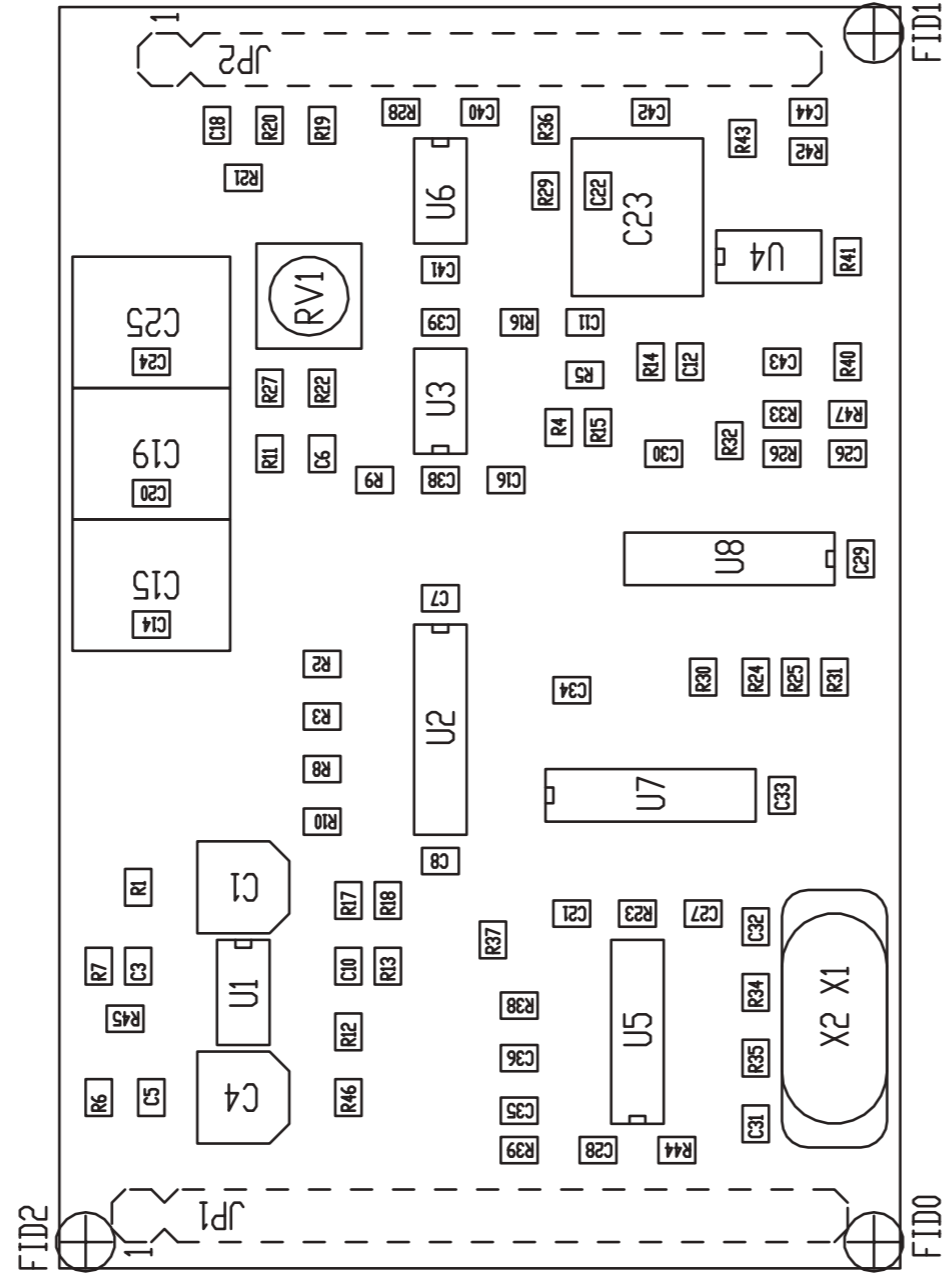


SLTL0509R01V01

Telemetry Card TEX-PTRL Revised: 17/03/2021  
 SLTL0509R01V01 Revision: 1.1  
 Franceschi A.

Item	Quantity	Reference	Part	Description
1	1	CN1	DB15FSO	DB15 fem. PCB 90° conn.
2	1	CN2	BNC_JS90	Metal BNC conn. 90°
3	1	CN3	CN16PD	16 way pcb conn. with holder
4	1	CS1	CSTL0509R1	Printed Circuit board
5	6	C1, C2, C3, C4, C16, C17	0.1uF	0805 SMD capacitor
6	3	C5, C6, C14	1nF	0805 SMD capacitor
7	2	C7, C8	100pF	0805 SMD capacitor
8	6	C9, C10, C11, C12, C13, C15	10nF	0805 SMD capacitor
9	4	D1, D2, D5, D6	BAS32	MINIMELF SMD Diode
10	2	D3, D4	BAT54H	SOD123F SMD Diode
11	1	JP1	STM03S	Male strip 3 pin
12	1	JP2	STM05S	Male strip 5 pin
13	2	JP4, JP5	JUM	Jumper
14	2	RV1, RV2	20K	Trimmer Rg H 3006
15	2	RY1, RY2	RLTQ2A_12V	TQ2 relay
16	2	R1, R2	150H0	0805 SMD res.

SLCTC30V03



NOME PROGETTO: PTX-LCD

NOME PARTE: CODER CARD

AUTORE: A. TOMMASI

PAGINA: 1 DI 1

DATA: 08/04/2004

REVISIONE: 1.0

SCALE: 2:1

SIZE: A4

ARCHIVIAZIONE ELETTRONICA: \\VRUT\

CODICE DISEGNO: SLCTC30V03

CODICE PROGETTO: 011

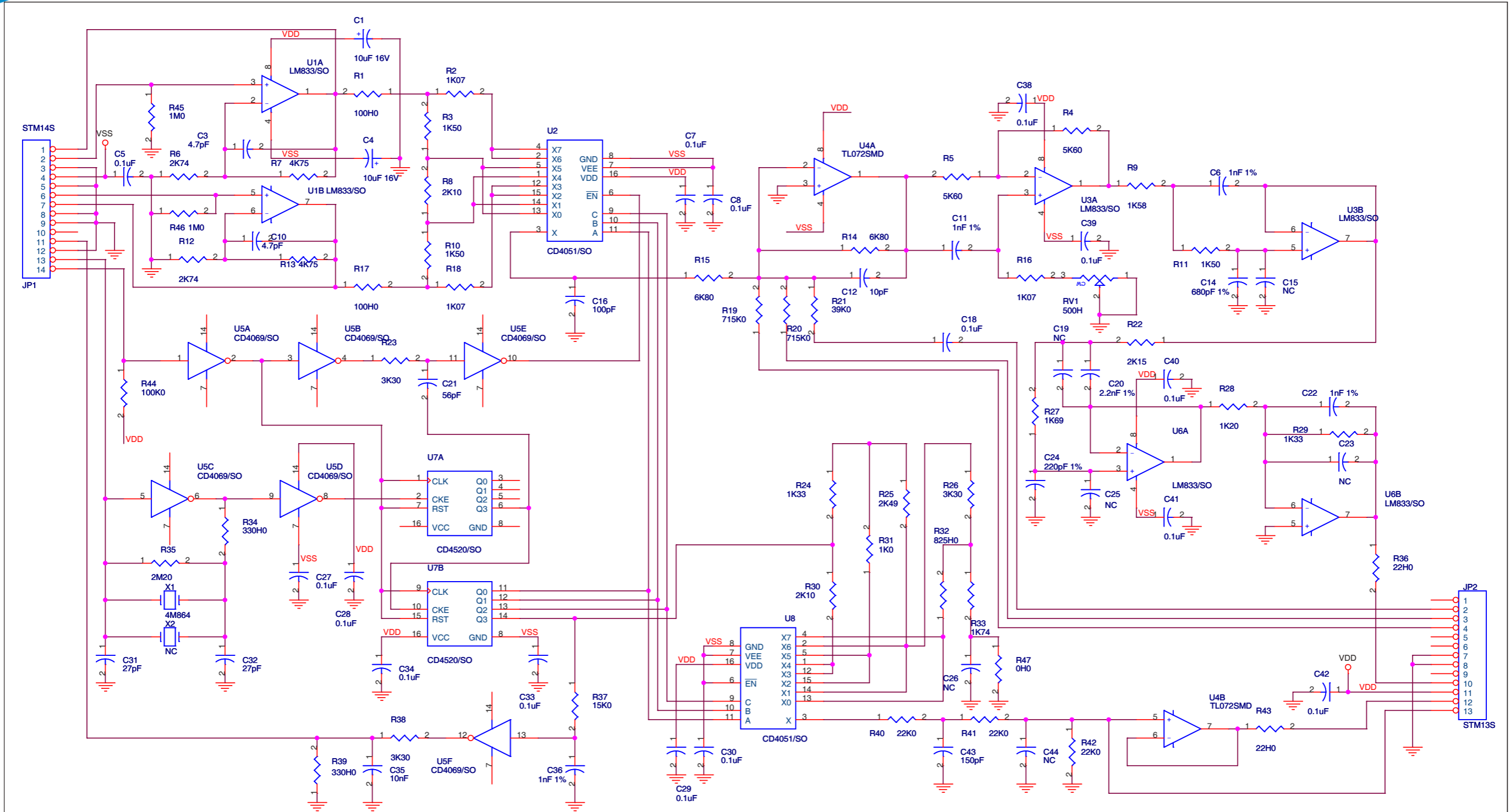
MATERIALE:

TRATTAMENTO:

PROFILO:

STATO: ESECUTIVO

SLCTC30V03



CS1  
CSCTC30V03

Description: Coder Card		
Designer: A. Tommasi	Size: A3	Page: 1 of 1
Part No.: SLCTC30V03	Rev. 1.2	Date: 26/01/2015

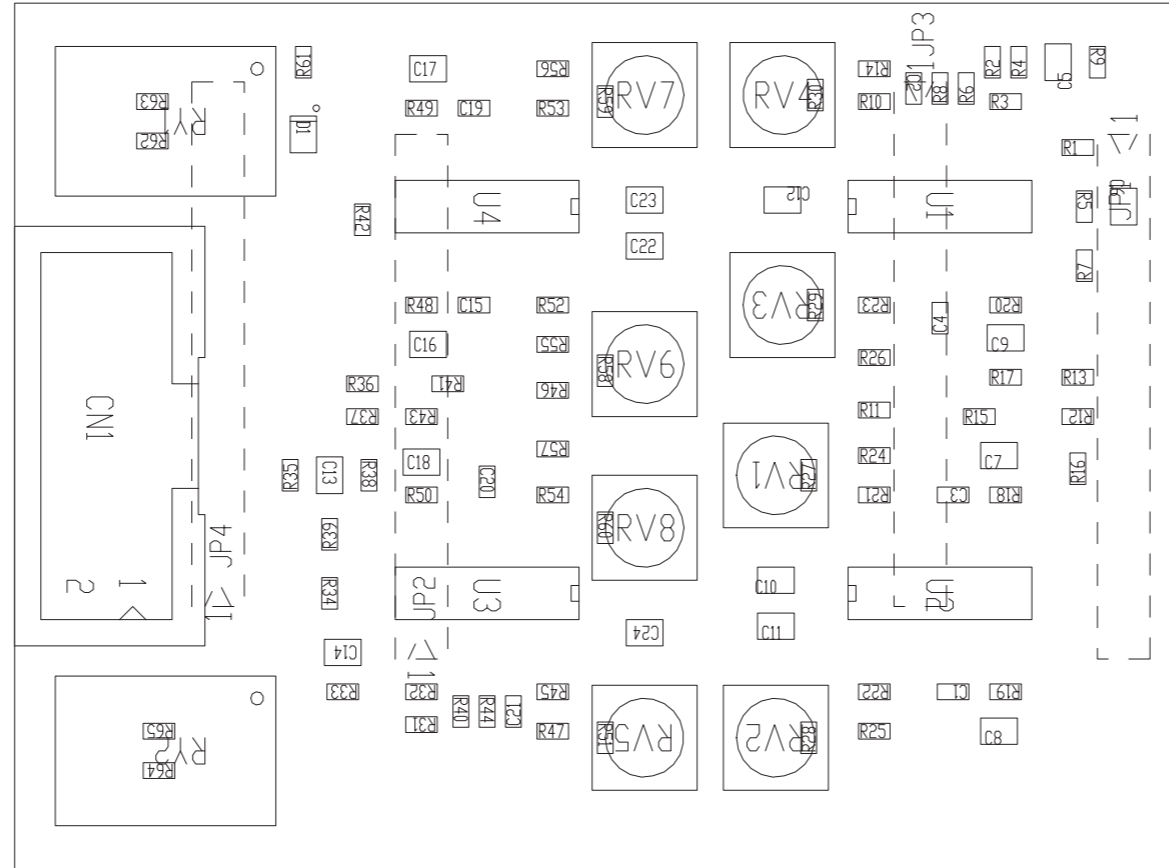




SLCTC30V03

Coder Card Revised: 26/01/2015  
 SLCTC30V03 Revision: 1.2  
 A. Tommasi

Item	Q.ty	Reference	Part	Description
1	1	CS1	CSCTC30V03	Circuito stampato
2	2	C1, C4	10uF 16V	Cond. Elett. SMD d. 4mm
3	2	C3, C10	4.7pF	Cond. SMD 0805
4	15	C5, C7, C8, C18, C27, C28, C29, C30, C33, C34, C38, C39, C40, C41, C42	0.1uF	Cond. SMD 0805
5	4	C6, C11, C22, C36	1nF 1%	Cond. SMD 0805 COG
6	1	C12	10pF	Cond. SMD 0805
7	1	C14	680pF 1%	Cond. SMD 0805 COG
8	4	C15, C19, C23, C25	NC	Cond. Poliestere p 5mm (5*7mm)
9	1	C16	100pF	Cond. SMD 0805
10	1	C20	2.2nF 1%	Cond. SMD 0805 COG
11	1	C21	56pF	Cond. SMD 0805
12	1	C24	220pF 1%	Cond. SMD 0805 COG
13	1	C26	NC	Cond. SMD 0805
14	2	C31, C32	27pF	Cond. SMD 0805
15	1	C35	10nF	Cond. SMD 0805
16	1	C43	150pF	Cond. SMD 0805
17	1	C44	NC	Cond. SMD 0805
18	1	JP1	STM14S	Strip maschio 14 pin
19	1	JP2	STM13S	Strip maschio 13 pin
20	1	RV1	500H	Trimmer SMD
21	2	R1, R17	100H0	Res. SMD 0805
22	3	R2, R16, R18	1K07	Res. SMD 0805
23	3	R3, R10, R11	1K50	Res. SMD 0805
24	2	R4, R5	5K60	Res. SMD 0805
25	2	R6, R12	2K74	Res. SMD 0805
26	2	R7, R13	4K75	Res. SMD 0805
27	2	R8, R30	2K10	Res. SMD 0805
28	1	R9	1K58	Res. SMD 0805
29	2	R14, R15	6K80	Res. SMD 0805
30	2	R19, R20	715K0	Res. SMD 0805
31	1	R21	39K0	Res. SMD 0805
32	1	R22	2K15	Res. SMD 0805
33	3	R23, R26, R38	3K30	Res. SMD 0805
34	2	R24, R29	1K33	Res. SMD 0805
35	1	R25	2K49	Res. SMD 0805
36	1	R27	1K69	Res. SMD 0805
37	1	R28	1K20	Res. SMD 0805
38	1	R31	1K0	Res. SMD 0805
39	1	R32	825H0	Res. SMD 0805
40	1	R33	1K74	Res. SMD 0805
41	2	R34, R39	330H0	Res. SMD 0805
42	1	R35	2M20	Res. SMD 0805
43	2	R36, R43	22H0	Res. SMD 0805
44	1	R37	15K0	Res. SMD 0805
45	3	R40, R41, R42	22K0	Res. SMD 0805
46	1	R44	100K0	Res. SMD 0805
47	2	R45, R46	1M0	Res. SMD 0805
48	1	R47	0H0	Res. SMD 0805
49	3	U1, U3, U6	LM833/SO	Dual Op. SMD SO8
50	2	U2, U8	CD4051/SO	Analog Switch SMD SO16
51	1	U4	TL072SMD	Dual Op. SMD SO8
52	1	U5	CD4069/SO	Hex inverter SO14
53	1	U7	CD4520/SO	Dual binary counter
54	1	X1	4M864	Quarzo SMD HC49SMD
55	1	X2	NC	Quarzo HC18



PRODUCT NAME : TEX-LCD

DESIGNER : FRANCESCHI A.

ARCHIVING : "RVRUT" SERVER, "RILASCIATI" FOLDER

PART NAME : AUDID FILTER 15KHZ

DATE : 03/05/17

REVISION : 1.0 SCALE : 2:1

SIZE : A4

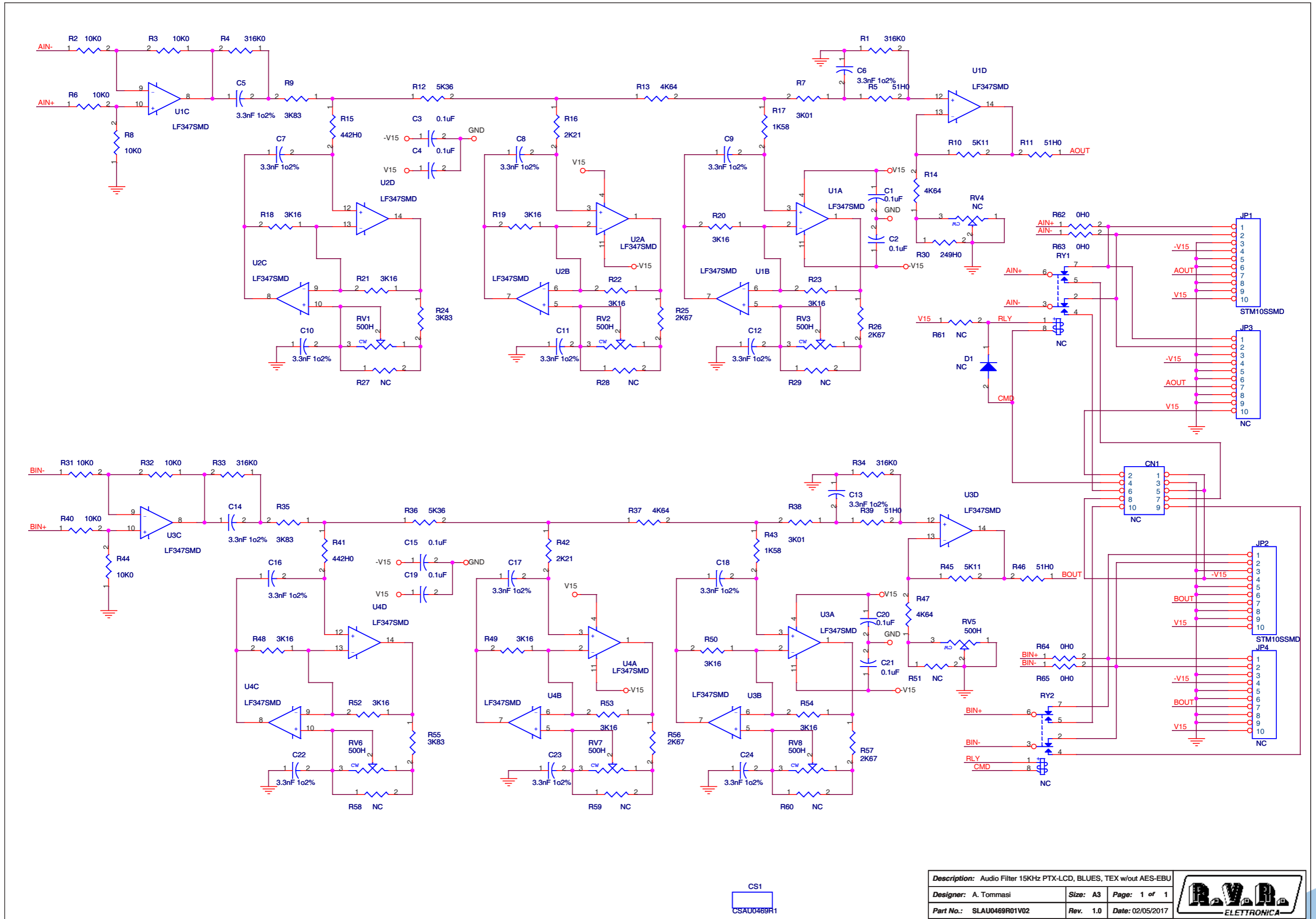
PAGE : 1

DI : 1

DOCUMENT CODE : SLAU0469R01V\*\*

PROJECT CODE : 057

SLAU0469R01V02



Description: Audio Filter 15KHz PTX-LCD, BLUES, TEX w/out AES-EBU		
Designer: A. Tommasi	Size: A3	Page: 1 of 1
Part No.: SLAU0469R01V02	Rev. 1.0	Date: 02/05/2017



SLAU0469R01V02

Audio Filter 15KHz PTX-LCD, BLUES, TEX w/out AES-EBU Revised: 02/05/2017  
 SLAU0469R01V02 Revision: 1.0  
 A. Tommasi

Item	Quantity	Reference	Part	Description
1	1	CN1	NC	Conn. 10 poli Flat cs con alette
2	1	CS1	CSAU0469R1	Circuito stampato
3	8	C1, C2, C3, C4, C15, C19, C20, C21	0.1uF	Cond. SMD 0603
4	16	C5, C6, C7, C8, C9, C10, C11, C12, C13, C14, C16, C17, C18, C22, C23, C24	3.3nF 1o2%	Cond. SMD 0805 COG
5	1	D1	NC	SOD323 SMD Diode
6	2	JP1, JP2	STM10SSMD	Male strip 10 pin SMD
7	2	JP3, JP4	NC	Male strip 10 pin SMD
8	7	RV1, RV2, RV3, RV5, RV6, RV7, RV8	500H	Trimmer SMD V 3314
9	1	RV4	NC	Trimmer SMD V 3314
10	2	RY1, RY2	NC	Rele' FTR-B3G
11	4	R1, R4, R33, R34	316K0	Res. SMD 0603
12	8	R2, R3, R6, R8, R31, R32, R40, R44	10K0	Res. SMD 0603
13	4	R5, R11, R39, R46	51H0	Res. SMD 0603
14	2	R7, R38	3K01	Res. SMD 0603
15	4	R9, R24, R35, R55	3K83	Res. SMD 0603
16	2	R10, R45	5K11	Res. SMD 0603
17	2	R12, R36	5K36	Res. SMD 0603
18	4	R13, R14, R37, R47	4K64	Res. SMD 0603
19	2	R15, R41	442H0	Res. SMD 0603
20	2	R16, R42	2K21	Res. SMD 0603
21	2	R17, R43	1K58	Res. SMD 0603
22	12	R18, R19, R20, R21, R22, R23, R48, R49, R50, R52, R53, R54	3K16	Res. SMD 0603
23	4	R25, R26, R56, R57	2K67	Res. SMD 0603
24	8	R27, R28, R29, R51, R58, R59, R60, R61	NC	Res. SMD 0603
25	1	R30	249H0	Res. SMD 0603
26	4	R62, R63, R64, R65	0H0	Res. SMD 0603
27	4	U1, U2, U3, U4	LF347SMD	Quad Op. SMD SO14