

**TEX20-NV/
S 20W FM STEREO EXCITER 87.5-
108 MHz RANGE
Technical and Maintenance Manual**

**TEX20-NV/
S ECCITATORE STEREO DA 20W RANGE 87.5-
108 MHz
Manuale Tecnico e di Manutenzione**

English

Pag. 3

Italiano

Pag. 43

INDEX

Preliminary Instructions and Warranty Information Pag. 5

Safety Regulations Pag. 7

SECTION 1

General Description Pag. 10

Technical Specifications (Table A) Pag. 12

Dimensional & Environmental Specifications (Table B) Pag. 14

SECTION 2

Electrical Description Pag. 15

Front Panel Description Pag. 18

Front Panel View (Fig.1) Pag. 20

Rear Panel Description Pag. 21

Rear Panel View (Fig.2) Pag. 23

Top View Description Pag. 24

Top View (Photo 1) Pag. 25

Bottom View Description Pag. 26

Bottom View (Photo 2) Pag. 27

Block Diagram (Fig.3) Pag. 28

Recommended Test Equipment (Table C) Pag. 29

SECTION 3

Installation Procedures Pag. 30

SECTION 4

Maintenance Pag. 35

SECTION 5

Internal Adjustments Pag. 38

APPENDIX A

Circuit Diagrams, Layouts and Bill of Material Pag. 83

Wiring Diagram	Pag. 84
Main Card	Pag. 86
Power Supply	Pag. 99
CON-PA Card	Pag. 104
R.F. Power Amplifier	Pag. 108
Audio Input Card	Pag. 113
Stereo Coder (Mod. SDC30)	Pag. 117
Meter Card	Pag. 124
Frequency Selector Card (Mod. TSW-1)	Pag. 128
Frequency Selector Card (Mod. TSW-3)	Pag. 132
TCXO Card	Pag. 136
Stereo Coder (Mod. SDC30A002)	Pag. 140

PRELIMINARY INSTRUCTIONS AND WARRANTY INFORMATION

WARNING: This a "CLASS A" equipment. In a residential place this equipment can cause hash. In this case can be requested to user to take the necessary measures.

Please observe safety precautions when handling this unit. This equipment contains dangerous currents and high voltages.

This manual is written as a general guide for those having previous knowledge and experience with this kind of equipment. It is not intended to contain a complete statement of all safety warnings which should be observed by personnel in using this or other electronic equipment.

R.V.R. doesn't assume responsibility for injury or damage resulting from improper procedures or practices by untrained/unqualified personnel in the handling of this unit.

Please observe all local codes and fire protection standards in the operations of this unit.

CAUTION: always disconnect power before opening covers or removing any part of this unit. Use appropriate grounding procedures to short out capacitors and high voltage points before servicing.

Any damage to the goods must be reported to the carrier in writing on the shipment receipt.

Any discrepancy or damage discovered subsequent to delivery, shall be reported to R.V.R. within five (5) days from its receipt.

R.V.R. extends to the original end-user purchaser all original manufacturers warranties which are transferable and all claims are to be made directly to R.V.R. per indicated procedures.

All manufacturers warranties will be supported by R.V.R. to ensure precise and speedy service where possible.

R.V.R. shall not be liable for any damage of whatsoever nature, arising out of or in connection with the product or its use thereof.

R.V.R. 's warranty shall not include:

- 1) Re-shipment of the unit to R.V.R. for repair purposes
- 2) Any unauthorized repair/modification
- 3) Incidental/consequential damages as a result of any defect
- 4) Nominal non-incidentual defects
- 5) Re-shipment costs or insurance of the unit or replacement units/parts

The warranty for a period of 12 months is referred to any R.V.R. product, while for products as Transistors, Mos-Fet and Tubes of the final stages is applied the manufacture's warranty of these devices.

To claim your rights under this warranty:

- a. Contact the dealer or distributor where you purchased the unit. Describe the problem and ask if he has an easy solution. Dealers and Distributors are supplied with all the information about problems that may occur and usually they can repair the unit quicker than what the manufacturer could do. Very often installing errors are discovered by dealers.
- b. If your dealer cannot help you, contact R.V.R. in Bologna and explain the problem. If it is decided to return the unit to the factory, R.V.R. will mail you a regular authorization with all the necessary instructions to send back the goods.
- c. When you receive the authorization, you can return the unit. Pack it carefully for the shipment, preferably using the original packing and seal the package perfectly. The customer always assumes the risks of loss (i.e., R.V.R. is never responsible for damage or loss), until the package reaches R.V.R. premises. For this reason, we suggest you to insure the goods for the whole value. Shipment must be effected C.I.F. (PREPAID) to the address specified by R.V.R.'s service manager on the authorization.

DO NOT RETURN UNITS WITHOUT OUR AUTHORIZATION AS THEY WILL BE REFUSED.

Be sure to enclose a written technical report where mention all the problems found and a copy of your original invoice establishing the starting date of the warranty.

Replacement and warranty parts may be order from the following address. Be sure to include the equipment model and serial number as well as part description and part number.

**R.V.R. Elettronica S.r.l. -
Broadcasting Equipment -
Via del Fonditore, 2/2c
40138 Bologna - Italy**

R.V.R. reserves the right to modify the design and specifications of the equipment in this manual without previous notice.

WARNING!

The currents and voltages in this equipment are dangerous!
Personnel must at all times observe safety regulation!

This manual is intended as a general guide for trained and qualified personnel who are aware of the dangers inherent in handling potentially hazardous electrical and electronic circuits.

It is not intended to contain a complete statement of all safety precautions which should be observed by personnel in using this or other electronic equipment.

The installation, operation, maintenance and service of this equipment involves risks both to personnel and equipment, and must be performed only by qualified personnel exercising due care.

R.V.R. ELETTRONICA S.r.l. shall not be responsible for injury or damage resulting from improper procedures or from the use of improperly trained or inexperienced personnel performing such tasks.

During installation and operation of this equipment, local building codes and fire protection standards must be observed.

WARNING!

Always disconnect power before opening covers, doors, enclosures, gates, panels or shields.
Always use grounding sticks and short out high voltage points before servicing. Never make internal adjustments, perform maintenance or service when alone or when fatigued.

Do not remove, short-circuit or tamper with interlock switches on access covers, doors, enclosures, gates, panels or shields.

Keep away from live circuits, know your equipment and don't take chances.

WARNING!

In case of emergency ensure that power has been disconnected

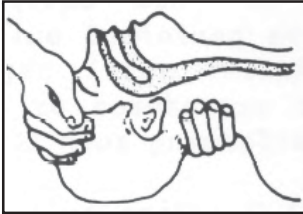
Treatment of electrical Shock

1) If victim is not responsive follow the A-B-C's of basic life support.

PLACE VICTIM FLAT ON HIS BACK ON A HARD SURFACE

A AIRWAY

IF UNCONSCIOUS,
OPEN AIRWAY



LIFT UP NECK,
PUSH FOREHEAD BACK,
CLEAR OUT MOUTH IF NECESSARY,
OBSERVE FOR BREATHING

B BREATHING

IF NOT BREATHING,
BEGIN ARTIFICIAL
BREATHING.



TILT HEAD,
PINCH NOSTRILS,
MAKE AIRTIGHT SEAL,
4 QUICK FULL BREATHS.
REMEMBER MOUTH TO MOUTH
RESUSCITATION MUST BE
COMMENCED AS SOON AS
POSSIBLE.

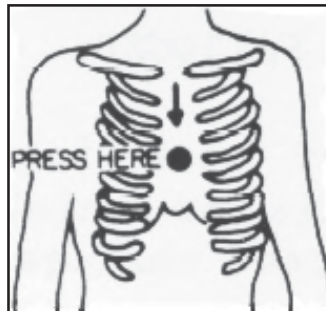
C CIRCULATION

CHECK CAROTID PULSE

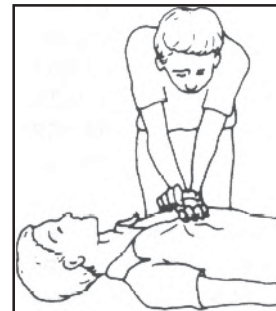


IF PULSE ABSENT,
BEGIN ARTIFICIAL
CIRCULATION

DEPRESS STERNUM 1 1/2" TO 2"



APPROX. 80 SEC. : ONE RESCUER, 15 COMPRESSIONS,
2 QUICK BREATHS.



APPROX. 60 SEC. : TWO RESCUERS, 5 COMPRESSIONS,
1 BREATH

NOTE: DO NOT INTERRUPT RHYTHM OF COMPRES-
SIONS WHEN SECOND PERSON IS GIVING BREATH.

Call for medical assistance as soon as possible.

2) If victim is responsive:

- a. Keep them warm.
- b. Keep them as quiet as possible.

c. Loosen their clothing (a reclining position is recommended).

FIRST-AID

Personnel engaged in the installation, operation, maintenance or servicing of this equipment are urged to become familiar with first-aid theory and practices. The following information is not intended to be a complete first-aid procedure, it is brief and is only to be used as a reference. It is the duty of all personnel using the equipment to be prepared to give adequate Emergency First Aid and thereby prevent avoidable loss of life.

Treatment of electrical Burns

- 1) Extensive burned and broken skin.
 - a. Cover area with clean sheet or cloth.
(Cleansed available cloth article).
 - b. Do not break blisters, remove tissue, remove adhered particles of clothing, or apply any salve or ointment.
 - c. Treat victim for shock as required.
 - d. Arrange transportation to a hospital as quickly as possible
 - e. If arms or legs are affected keep them elevated.

NOTE

If medical help will not be available within an hour and the victim is conscious and not vomiting, give him a weak solution of salt and soda: 1 level teaspoonful of salt and 1/2 level teaspoonful of baking soda to each quart of water (neither hot or cold).

Allow victim to sip slowly about 4 ounces (half a glass) over a period of 15 minutes.

Discontinue fluid if vomiting occurs (Do not give alcohol).

- 2) Less severe burns - (1st & 2nd degree)
 - a. Apply cool (not ice cold) compresses using the cleansed available cloth article.
 - b. Do not break blisters, remove tissue, remove adhered particles of clothing, or apply salve or ointment.
 - c. Apply clean dry dressing if necessary.
 - d. Treat victim for shock as required.
 - e. Arrange transportation to a hospital as quickly as possible.
 - f. If arms or legs are affected keep them elevated.

SECTION 1

GENERAL DESCRIPTION

1.1 GENERAL DESCRIPTION

The TEX20-NV/S is housed in a 3U, 19" rack-mounting container comprising a number of interconnected modules mounted internally on the main chassis, facilitating removal and substitution.

The power output control, audio input level control and analog meter for the measurement of operating parameters, are all mounted on the front panel. The line power, audio input, RF output and telemetry control connectors are mounted on the rear panel.

1.2 ELECTRICAL DESCRIPTION

The TEX20-NV/S is an exciter working in the 87.5 to 108 MHz band, programmable in steps of 10 KHz. Its power output is continuously adjustable from 2 to 20W into a 50 Ohm load.

The TEX20-NV/S incorporates a stereo coder which guarantees excellent stereo separation together with low harmonic distortion. It also accepts two SCA signals.

A front panel switch allows stereo operation or "mono/mpx" operation which excludes the stereo encoder and uses the "right" input as the mono input and the "left" input as the wideband composite input.

The specification features low audio distortion and intermodulation figures (typically 0.05%) and a high signal-to-noise ratio (typically -72 dB).

A voltage selector on the transformer primary allows a variety of supply voltages to be used.

1.3 METERS AND INDICATORS

The operating parameters of the exciter can be monitored using the analog multimeter (12 Fig.1) situated on the front panel.

The parameter to be measured is selected by the rotary selector (11 Fig.1).

The frequency control (14 Fig.1) allows frequencies to be selected in steps of 10 KHz.

Three red alarm leds indicate VCO unlock (15 Fig.1), excess VSWR (8 Fig.1) on the output and the shutdown condition, programmed by a remote computer. Three green leds (7 Fig.1) indicate the presence of +12V, +15V and +28V voltages which are used to power the various cards inside the exciter.

A selector (1 Fig.1) allows selection between Mono/MPX and Stereo functions and another selector (6 Fig.1) is provided to choose the level of the input signal.

Trimmers (5 Fig.1) are provided for adjustment of left and right channels and a switch allows the stereo subcarrier to be enabled or disabled.

1.4 AUTOMATIC FREQUENCY CONTROL

The operating frequency is governed by a thermally-compensated, reference oscillator working within a phase-locked loop (PLL). The TEX20-NV/S reaches frequency lock within a maximum of 30 seconds.

1.5 CONTROL CIRCUITS

The control circuits allow automatic control of output power, maintaining the chosen power level across the entire operating band. Furthermore another circuit protects the final stage against excessive VSWR or short circuits.

1.6 RF AMPLIFIER

The RF amplifier is a wide-band design and guarantees an adjustable power output of 2 to 20 watts across the entire band. A low-pass filter enables the TEX20-NV/S to be used as a low power transmitter, connected directly to an antenna.

1.7 SPECIFICATIONS

Please refer to Table A for the electrical specifications and Table B for the mechanical specifications.

TABLE A

TECHNICAL SPECIFICATIONS

Power Supply	100-130V, 50-60Hz 198-250V, 50-60Hz
Power Consumption	approx. 130 W
Cooling System	Forced ventilation
Frequencies	from 87.5 to 108 MHz in steps of 10 KHz, microprocessor-controlled
Output Power	adjustable from 2 to 20 W
Automatic Output	Stabilizes the set RF output level control
Output Impedance	50 Ohm
Output Connector	Standard "N-type"
Harmonic Suppression	meets or exceeds all FCC and CCIR requirements (> -65dB)
Spurious Signal Suppression	meets or exceeds all FCC and CCIR requirements (> -80 dB)
Mono Intermodulation Distortion modulation	0.05% or less, measured at 1KHz and 1.3 KHz, ratio 1:1 at 100%
Frequency Stability	$\pm 500\text{Hz}$ (typically $\pm 300\text{Hz}$) from 0 to 50°C
Modulation Type frequency	Direct frequency modulation of the RF oscillator at fundamental
Frequency Deviation	$\pm 75\text{KHz}$ nominal
Harmonic distortion	< 0.10% (typically 0.05%)
Pre-emphasis	50 μs \pm 2% or 75 μs \pm 2% selectable
Residual AM (asynchronous)	65dB below reference carrier with 100% amplitude modulation at

400Hz, without de-emphasis, no FM
modulation present

Residual AM (synchronous) 55dB below reference carrier with
100% amplitude modulation at
400Hz, without de-emphasis, FM
modulation = ± 75 KHz at 400Hz

FM Signal-to-Noise > 75 dB mono, > 70 dB stereo
measured with 75 KHz deviation in
the 30 Hz to 15 KHz band RMS.

Audio Input Impedance 10 KOhm balanced or 5K Ohm
unbalanced (600 Ohm on request)

Audio Input Level Selectable from -12 to +9 dBm in
five steps

Audio Frequency Range 30-15000 Hz, MONO input
30-100000 Hz, MPX input

Audio Input Filter > or = at 45dB at 19KHz (Mono)

Mono Frequency Response ± 0.3 dB from 30Hz to 15KHz

MPX Frequency Response ± 0.3 dB from 30Hz to 100KHz

Stereo Separation > 45dB (typically 50dB)

Pilot Tone Frequency 19KHz ± 1 Hz

Pilot Tone Level -20dBm adjustable

Number of SCA Inputs 2

SCA Input Impedance 1KOhm unbalanced

SCA Input Level 0dBm for ± 7.5 KHz of deviation

SCA Input Response ± 0.5 dBm from 40KHz to 100KHz

TABLE B

DIMENSIONAL AND ENVIRONMENTAL SPECIFICATIONS

<i>Rack Dimensions</i>	483.0 mm (19")W 132.5 mm (5.22")H 345.0 mm (13.58")D
<i>Operating Temperature</i>	-10°C to 50°C
<i>Humidity</i>	95% max. non-condensing
<i>Weight</i>	13Kg

SECTION 2

ELECTRICAL DESCRIPTION

2.1 INTRODUCTION

This section describes, in detail, the operating theory behind the TEX20-NV/S.

To aid understanding, the unit has been subdivided into blocks, each of which is fully described below. The block diagram is shown in Fig.3.

2.2 POWER SUPPLY

This circuit comprises a board (5 Photo 1), mounted on a heat sink, which is fixed to the central part of the middle section of the unit.

The power supply generates the various stabilized voltages necessary for each of the various modules that make up the TEX20-NV/S.

After having undergone filtering for mains-borne interference, the supply is transformed into four lower voltages, rectified, smoothed and stabilized to the following values: +12V, +15V and 2 to 24V variable (+28V upstream of the voltage control stage).

The +15V supplies the encoder mixer, the main card, the meter card and the contraves card. The +12V supplies the RF power amplifier driver and the 2-24V variable supplies the final power stage of the same module.

The variable voltage of the final stage is controlled by the PWR ADJ control which determines the RF power output of the exciter.

The automatic control of output power guarantees the power level set by the PWR ADJ control right across the frequency range and independently of other variables such as temperature, load variations etc.

The system works by comparing the value set by the PWR ADJ control with the actual power output of the unit and compensating accordingly.

A power limiting circuit intervenes in the event of excess SWR on the output, thus protecting the final stage.

2.3 AUDIO INPUT CARD

This card (2 Photo 2) is situated on the rear panel of the exciter.

The card filters all audio signal inputs to the unit, removing RF interference, before supplying them to the encoder mixer.

The main operating parameters of the exciter are available for remote monitoring via a 10 pin connector.

2.4 ENCODER MIXER

This card (1 Photo 1) is situated in the lower part of the unit.

The card can function either as a stereo encoder or as a simple mixer for the various audio inputs. The function may be selected by a control situated on the front panel.

In stereo encoder mode, the 19KHz pilot tone is derived from a quartz crystal reference oscillator.

So too is the sampling frequency which allows the L and R signals to be separated from the multiplexed signal, plus the suppression of the 38KHz frequency. The level of the left and right signals is set by the corresponding selector situated on the front panel. The signals are then filtered at 15KHz and pre-emphasized (50 μ S CCIR, 75 μ S FCC) before being sent to the multiplex circuit. The audio signals from the two SCA inputs are mixed in to provide the output. In mixer mode (Mono/MPX) the stereo encoder is bypassed, the right input accepts a mono signal and the left input accepts a multiplex signal upto 100KHz. The SCA inputs remain unchanged.

Three rectifiers allow the peak levels of the two inputs "LEFT/MPX" and "RIGHT/MONO" to be displayed on the analog meter, and provide the audio detector circuit with the deviation level.

2.5 MAIN CARD

The main card (1 Photo 1) is situated internally, in the upper part of the unit.

The circuit includes a voltage-controlled oscillator (VCO, 2 Photo 1) which generates the selected operating frequency.

This signal is amplified to drive the phase-locked loop (PLL) control circuit and also the final stage.

The audio signal supplied by the encoder mixer is amplified and processed in order to compensate for distortion caused by the varicap diodes; it is then injected into the VCO to provide class F3E modulation.

The operating frequency generated by the VCO is divided down before being compared to a reference frequency, generated by a high stability oscillator (standard 5 ppm). The error voltage is filtered and used to compensate the VCO frequency and guarantee its stability.

An indicator situated on the front panel signals the "unlocked" condition. Three trimmers are present on this card for adjustment of deviation, distortion and pre-polarization of the varicaps.

2.6 RF POWER AMPLIFIER

The final power stage (4 Photo 1) is mounted on a heat sink to dissipate waste heat and is enclosed in a totally screened, metal container, fixed to the upper-middle part of the central section of the unit.

The RF signal coming from the Main card at a power level of about 150-200 mW, reaches the driver stage (MRF237 in Class C) and is amplified to a level of about 2W before being further amplified by the final stage (BLW86) to a level of upto 20W.

The resultant signal is then filtered by a low-pass filter which removes any harmonic content.

A directional coupler allows the direct and reflected power levels to be measured and displayed on the analog multimeter and also feedback to the power supply for automatic control of the output power (see Power Supply sec. 2.2).

A BNC connector situated on the rear panel provides a power signal at -30dB of the amplifier output power.

2.7 METER CARD

This card (3 Photo 2) is situated centrally on the front panel. The card receives direct and reflected power signals from the power supply which, in turn, come from the final power stage. The Stereo encoder card supplies deviation and left and right signal levels. These signal levels are then displayed on the analog meter according to the position of the rotary selector situated on the front panel.

2.8 FREQUENCY SELECTOR CARD

This card (3 Photo 1) is fixed to the left-hand side of the front panel. The operating frequency selected by the frequency control is represented by a signal which is supplied to the frequency dividers that form part of the PLL circuits found on the Main card.

2.9 CLIPPER CARD (OPTIONAL)

This card is fixed with a sandwich structure on the coder card and is accessible from lower part of the equipment. Its function is that to limit drastically any audio signal that exceeds a prefixed threshold. Therefore, it's used to avoid any type of over-modulation as to maximum peak permitted of $\pm 75\text{KHz}$. With an exceeding signal, immediately too, of 6dB the nominal level for a deviation of $\pm 75\text{KHz}$, this card allows to contain deviation increasing within 1dB.

SECTION 3

INSTALLATION PROCEDURE

3.1 INTRODUCTION

This chapter contains the information required for installation of the

FRONT PANEL VIEW DESCRIPTION (FIG.1)

- | | | |
|----|-----------------------|--|
| 1 | STEREO/MONO-MPX | <i>Selects STEREO or MONO/MPX operation</i> |
| 2 | STEREO LED
encoder | <i>Indicates the operation of the stereo</i> |
| 3 | 19KHz Led | <i>Indicates the 19KHz pilot tone presence</i> |
| 4 | MODE SELECTOR | <i>Button In : Stereo Operation Mode
Pilot Tone Present
Button Out: Mono Operation Mode
Pilot Tone Absent</i> |
| 5 | L/MPX & R/MONO LEVEL | <i>L/MPX and R/MONO input level adjustable
from -12 to +9 dBm; this is possible if
the input level switch is completely
turned clockwise</i> |
| 6 | INPUT LEVEL | <i>Input signal attenuator adjustable in 5
steps from -9 to +6 dBm</i> |
| 7 | VOLTAGES LEDS | <i>Indicates the presence of the internal
operating voltages +12V, +15V and +28V</i> |
| 8 | SWR
10W | <i>Indicates that reflected power exceeds
10W</i> |
| 9 | PWR ADJ | <i>10-turn trimmer to regulate the power
output of the exciter</i> |
| 10 | REMOTE | <i>Indicate that the exciter has been
shut-down by remote control</i> |
| 11 | MEASUREMENT SELECTOR | <i>The measurement made by the meter
corresponds to the position of this
selector</i> |
| 12 | METER | <i>Analog meter used to display the
following operating parameters of the
exciter:</i> |
| | | <i>Forward Power f.s. 25W
Reflected Power f.s. 5W
Deviation f.s. 100KHz
Right Channel In. Level f.s. +3dB
Left Channel In. Level f.s. +3dB</i> |

- 13 POWER ON/OFF switch

- 14 MHz/KHz (Frequency Selector) Rotary frequency selector

- 15 L.O. UNLOCK If ON indicates that the VCO is not
locked to the reference frequency.
The output power will drop to zero in
this condition

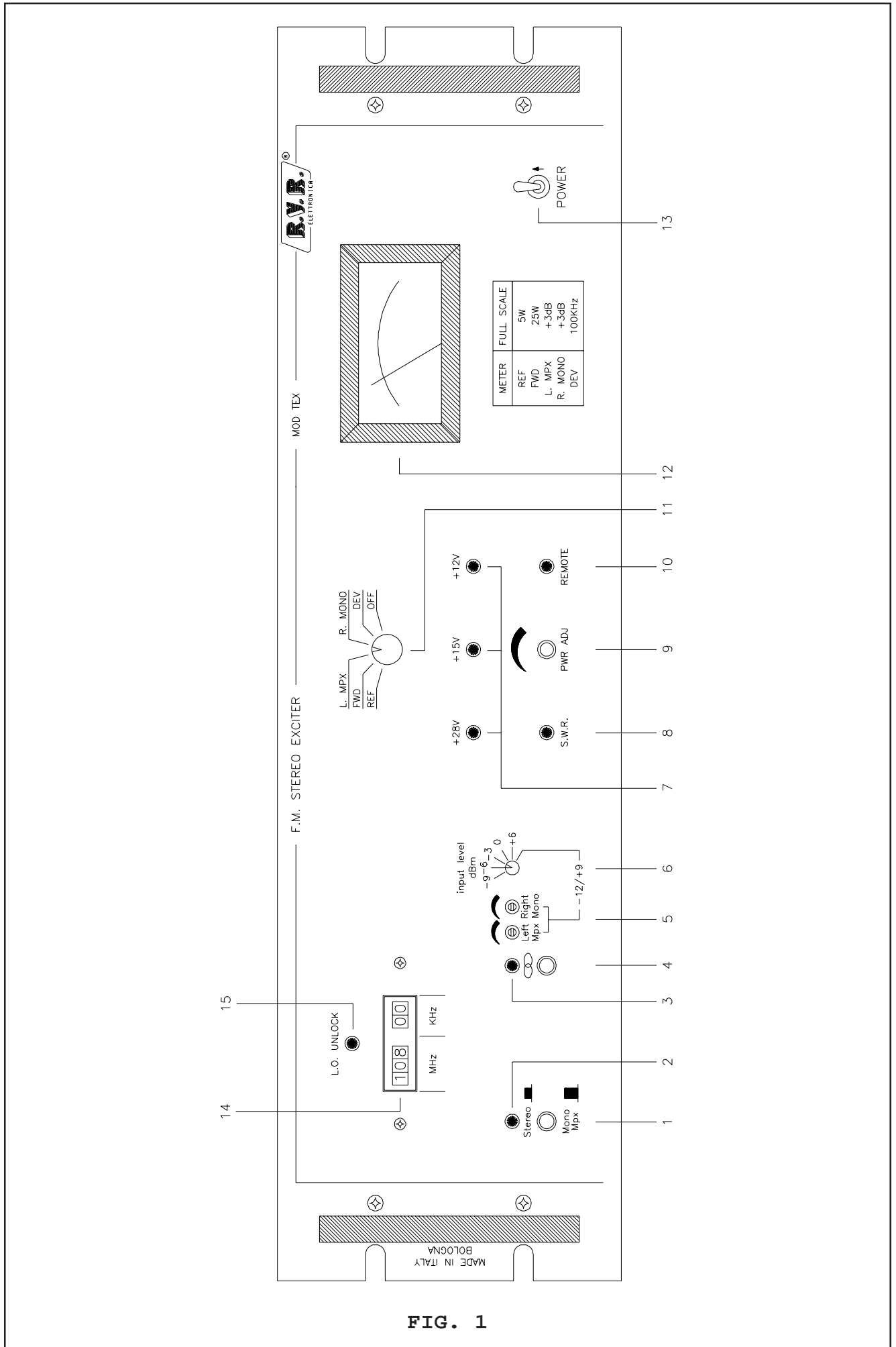


FIG. 1

REAR PANEL VIEW DESCRIPTION (FIG.2)

- 1 REMOTE CONTROL BNC connector. Connecting the central conductor to ground will cause the RF output power level to drop to zero and stay there until the short is removed. When used with an R.V.R. amplifier, this connector should be connected to the "REMOTE" output of the power amplifier.
- 2 FAN Fan-assisted cooling for the power stage and the power supply.
- 3 TELEMETRY TERMINALS 10 Pin telemetry connector.
 1-2 Audio GND
 3-10 GND
 4 PD = Forward Power
 5 PR = Reflected Power
 6 VPA
 7 IPA
 8 SWR alarm
 9 Unlock alarm
- 4 PLUG Line power connector.
- 5 FUSE BLOCK & LINE VOLTAGE CHANGER Fuse block and line voltage selector. Use a small screwdriver to change the fuse or the line voltage. Rotate the block and position it for the desired voltage.
- 6 24VDC (Optional) Plugs for External 24VDC
- 7 R.F. OUTPUT 50 Ohm, "N-type" connector
- 8 T.P. -30dB -30dB output referred to the output power level
- 9 RIGHT (MONO) Cannon XLR for CCIR version with balanced input.
 1 GND
 2 (+) Inphase
 3 (-) Return
- 10 LEFT (MPX) Cannon XLR for CCIR version with balanced input.
 1 GND
 2 (+) Inphase
 3 (-) Return
- 11 SCA 1 BNC connector, unbalanced SCA1 input

12 SCA 2

BNC connector, unbalanced SCA2 input or
output (internally selectable) for pilot
tone (i.e. for RDS encoder)

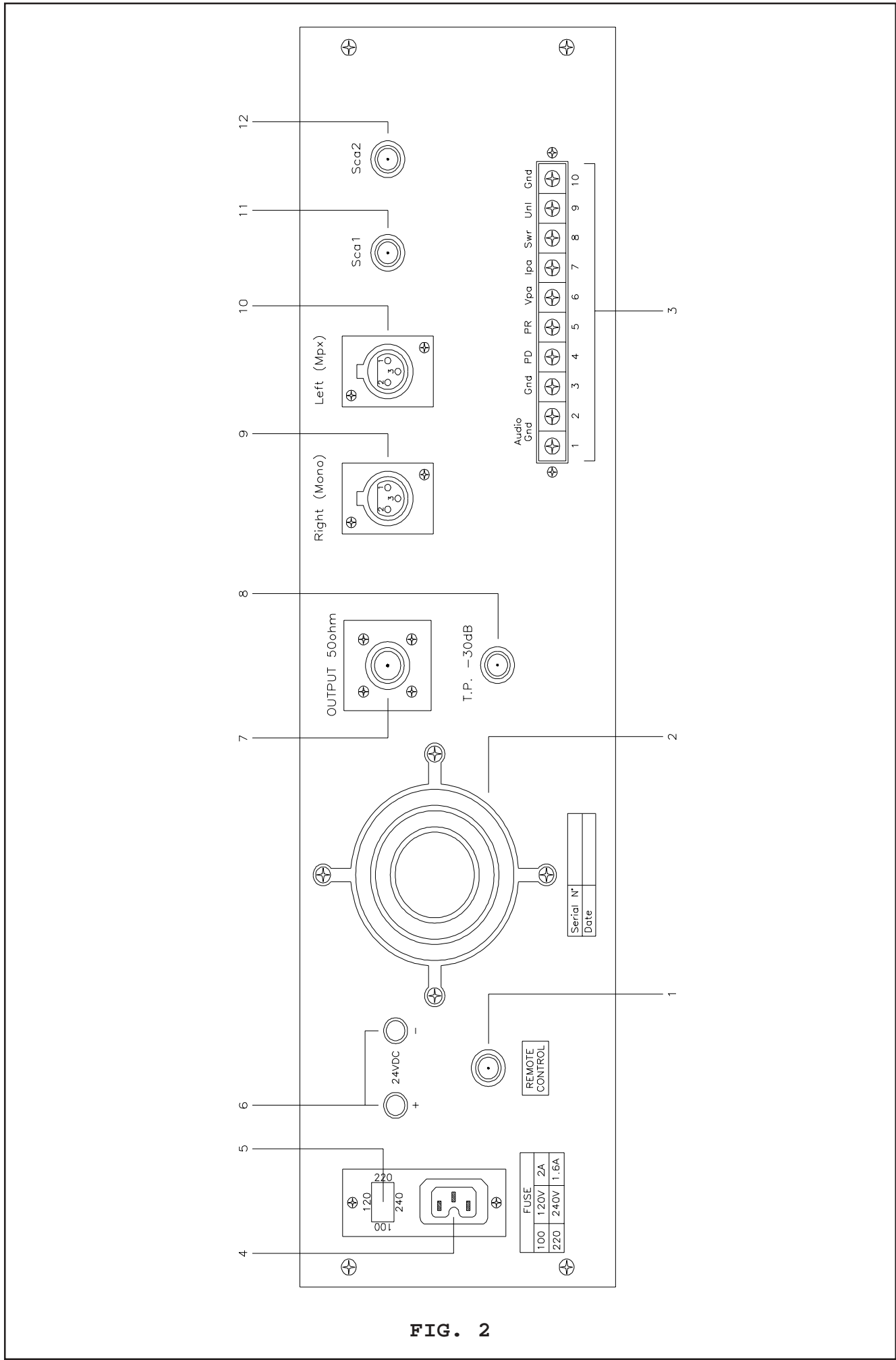


FIG. 2

TOP VIEW DESCRIPTION (PHOTO 1)

- 1 *Main Card*
- 2 *V.C.O.*
- 3 *Frequency Selector Card*
- 4 *R.F. Power Amplifier Stage*
- 5 *Power Supply*
- 6 *Transformer*

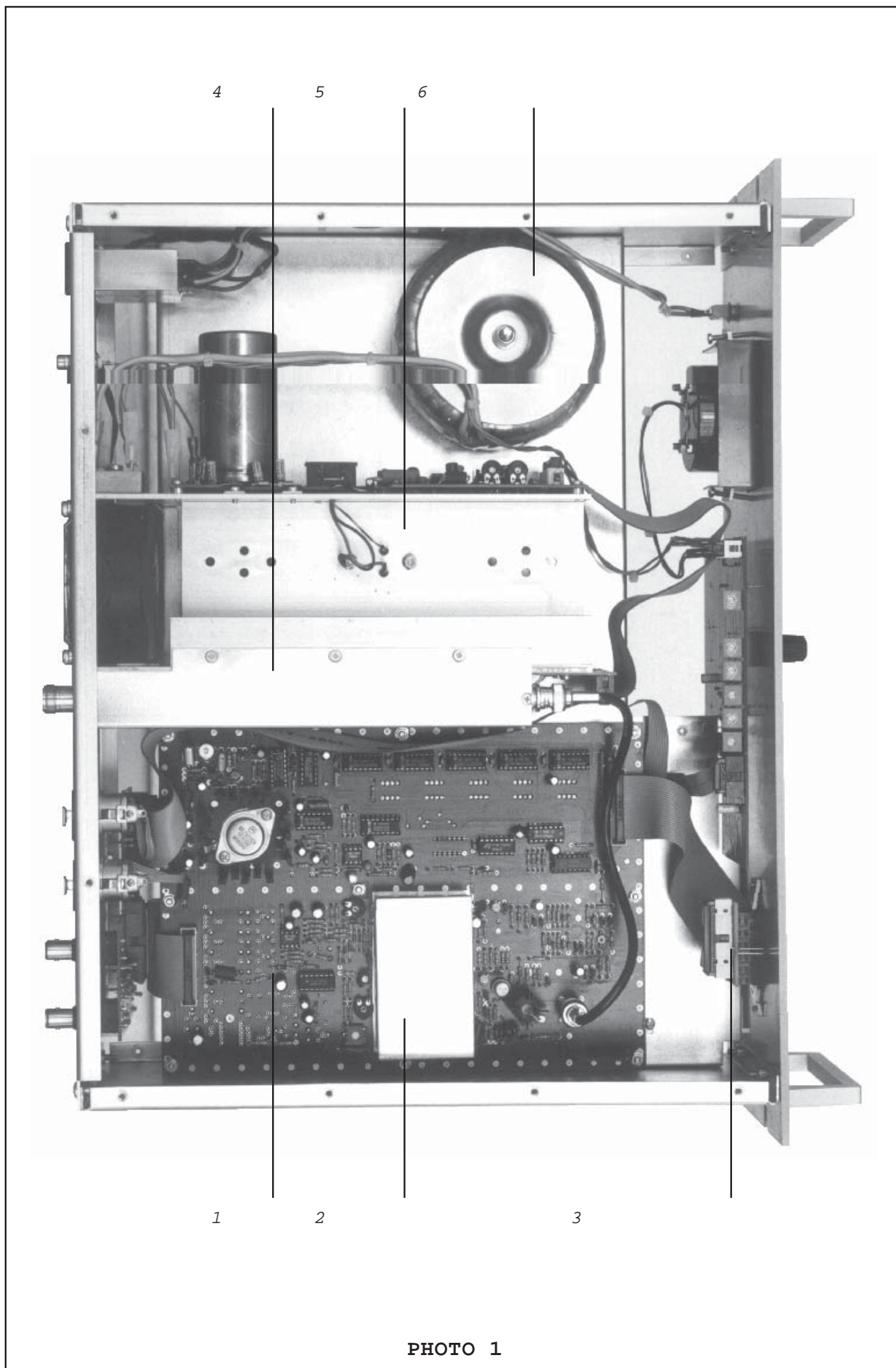


PHOTO 1

BOTTOM VIEW DESCRIPTION (PHOTO 2)

- 1 Stereo Coder Card
- 2 Audio Input Card
- 3 Meter Card

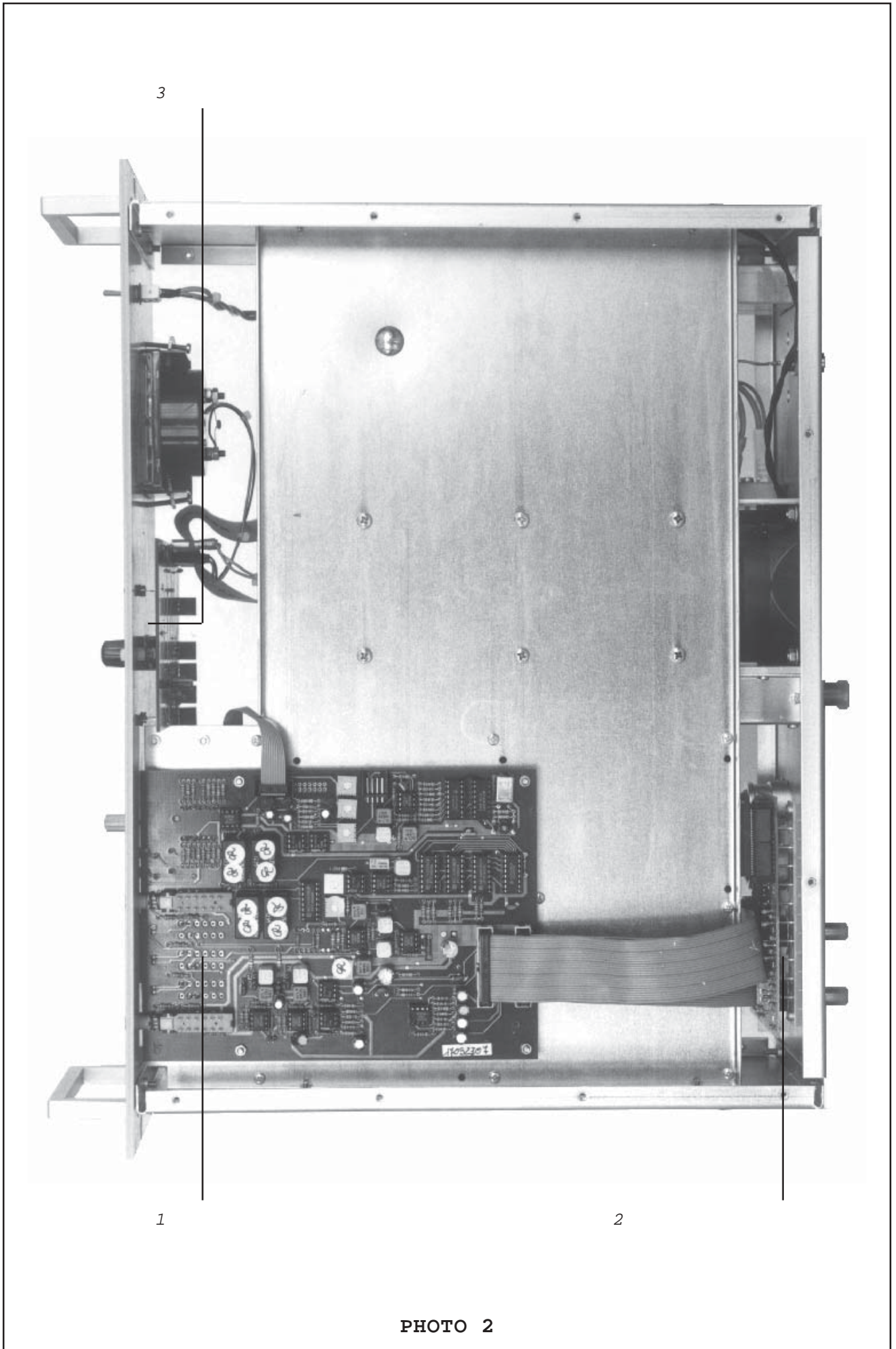


PHOTO 2

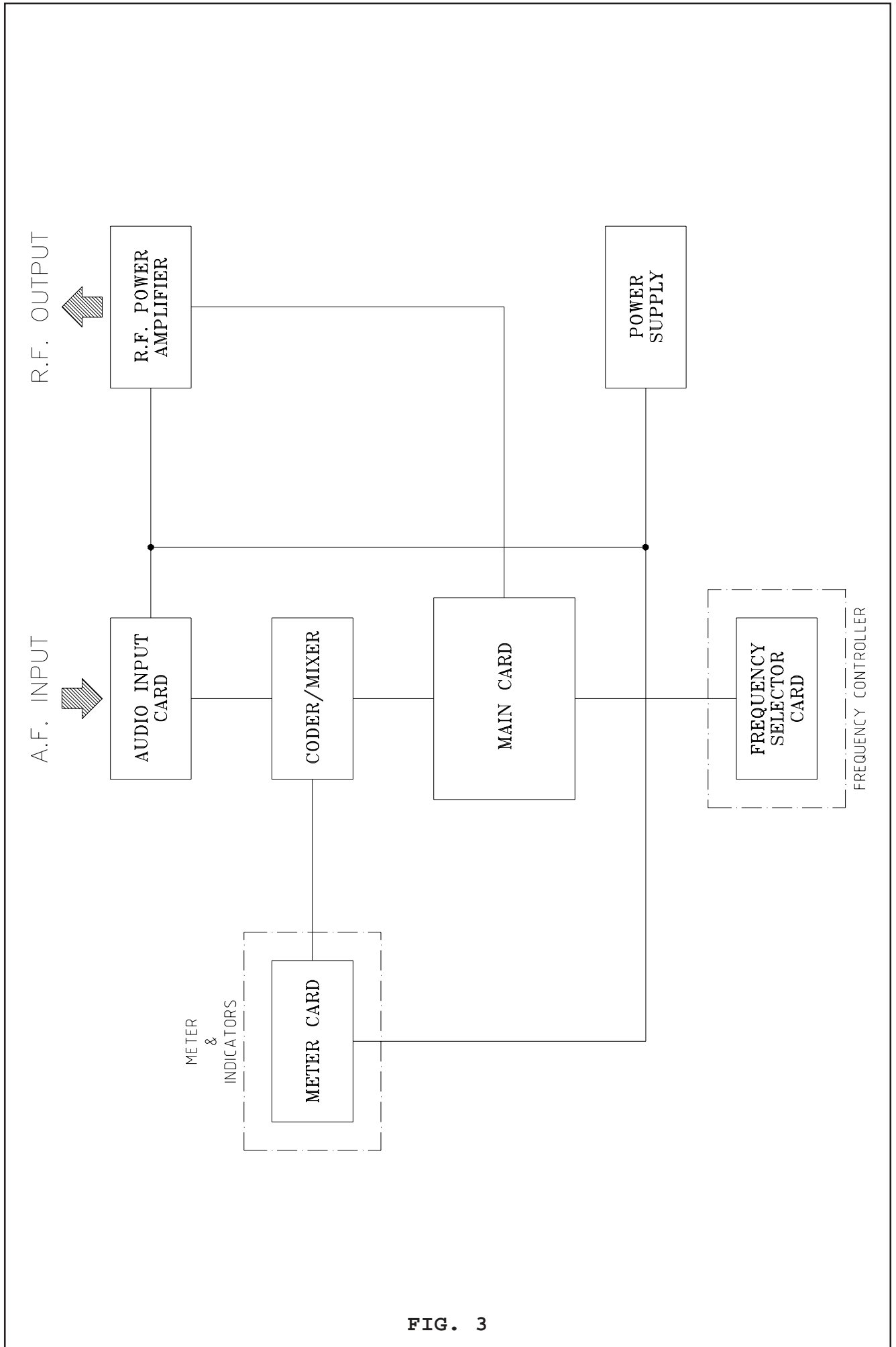


FIG. 3

TABLE C

RECOMMENDED TEST EQUIPMENT

<i>INSTRUMENT TYPE</i>	<i>SUGGESTED MODEL</i>	<i>TECHNICAL SPECIFICATIONS</i>
Coaxial Load Resistor	Bird Mod. 8085	Power rating 50W continuous
Wattmeter	Bird	Power range : 100mW to 10KW
Mod. 43	using Bird Plug-in-Elements	Frequency range : 0.45 to
	2300MHz	
Plug-in-Elements	Bird	Power rating : 25W
	Mod. 25B	Freq. range : 25 to 125MHz
Variable RF Signal	Bird	Power rating : 1000W
Sampler Element	Mod. 4275-100	Freq. range : 25 to 1000MHz
Spectrum Analyzer	Adavntest	10KHz-3.5GHz
	Mod. R4141D	
Low Distortion	Krohn-Hite	THD < 0.001%
A.F. Genarator	Mod. 4400A	
Oscilloscope	Tektronix	50MHz Oscilloscope
	Mod. 2225	
Stereo Decoder	A.E.V.	Stereo separation
	Mod. SMD	> 60dB 30Hz to 15KHz
F.M. Modulation Meter	Rohde Schwarz	
	Mod. F.A.M.	
Digital Multimeter	Metrix	

TEX20-NV/S exciter and for preliminary checks.

3.2 UNPACKING

Remove the unit from its packaging and before any other operation, check for any damage that the unit may have suffered in transit and that all front and rear panel controls are functioning.

3.3 INSTALLATION

- 1) Check that the line voltage selector is correctly set for the local supply. If not, remove the cover on which the voltages are printed and rotate it until the required value corresponds to the arrow, and reinsert it. Check also that the fuse mounted inside the cover is present and in order.

The current capacity of the fuse are as follows:

220-240 V - 1.6 A
100-120 V - 2.0 A

- 2) Now ensure that the PWR ADJ control is rotated fully anti-clockwise, using a small screwdriver.

N.B. The control is a ten-turn potentiometer so care should be taken to verify the minimum position.

Units are usually shipped with this control already at minimum.

WARNING: When the unit is switched on with the control at its minimum position, power output is about 2W.

BIRD43
WATTMETER

3) Connect a dummy load with a power rating of at least 20W continuous to the RF output, situated on the rear panel of the unit (see SETUP1). It is advisable to connect a bypass wattmeter in series with this load in order to verify the accuracy of the unit's own internal wattmeter.

EXCITER

BIRD43
WATTMETER

50 OHM
DUMMY
LOAD

4) Connect a switch, via a cable, to the REMOTE connector on the rear panel so that the switch is able to short the central conductor to its screen. Leave the switch in the short-circuit position.

- 5) Switch the unit's on/off switch to the OFF position.
- 6) Connect line power to the unit via the VDE socket.

N.B. It is essential that the unit be properly earthed to ensure both the safety of the operator as well as the correct functioning of the equipment.

- 7) Switch the power switch to the ON position and check that the both the green ON led and the red UNLOCK led are both on.

Select the desired operating frequency using the corresponding selector.

The red UNLOCK led should switch off within 30 seconds, indicating that the oscillator has locked onto the operating frequency.

The frequency selector comprises five figures of which the three to the left of the decimal point represent (from left to right) hundreds of MHz, tens of MHz and MHz.

The two figures to the right of the decimal point represent (from left to right) hundreds of KHz and tens of KHz.

Eg: 098.45 = ninety eight megahertz and four hundred and fifty Kilohertz.

Eg: 103.94 = one hundred and three Megahertz and nine hundred and forty Kilohertz.

Furthermore, if a frequency is selected beyond the two limits of the 87.5-108 MHz band, the amplifier will continue to work even though the displayed frequency no longer corresponds to the operating frequency of the unit.

- 8) After having verified that the UNLOCK led is switched off and that the unit is therefore locked to the selected operating frequency, switch the switch connected to the REMOTE connector so as to remove the short circuit between the central conductor and ground.

The RF output is now enabled and should correspond to a power level of about 2W.

To check this reading, select FWD on the meter selector and read the power from the 25W FSD scale.

- 9) Using a small screwdriver, rotate the PWR ADJ control clockwise; the power output should increase progressively to a maximum of 20W.

Check the value with the bypass wattmeter which should be within $\pm 10\%$.

- 10) With the power output at 20W, select a new operating frequency well away from the current value.

Eg: 107 MHz: the UNLOCK led should switch on and the power output should fall to zero at the same time. Only when the UNLOCK led switches off (unit locked to new frequency) should the power output resume its previous level.

- 11) Automatic power control check.

It is advisable to start this procedure with the operating frequency

set to 87.50 MHz. When locked to this frequency, the PWR ADJ control should be adjusted for an output power of 10W.

Now, with no further adjustment of the PWR ADJ control, change the operating frequency in steps of 4-5 MHz, ensuring that the output power remains constant at 10W.

12) SWR alarm check.

For this test, adjust the PWR ADJ control for a power output of 5W. Disconnect the output load and check that the S.W.R. led switches on.

Now adjust the PWR ADJ control to check that the unit switches on again at a reflected power level of about 4W.

Turn the PWR ADJ control for maximum power and check that the reflected power does not exceed 10W.

Re-connect the output load and check that REF falls to zero, the SWR led switches off and that PWR FWD jumps to 20W.

13) Now short circuit the central conductor of the REMOTE input to ground and the output power should drop instantly to zero.

Removing the short should cause the power output to return, gradually, to its previous level.

14) Deviation reading check.

The maximum input sensitivity is determined by the position of the "INPUT LEVEL" control. In the -12/+9 position, the sensitivity will depend on the L/mpx and R/mono controls.

Put the meter selector in the DEV position.

15) Connect a low-distortion audio generator to the LEFT and RIGHT inputs (see SETUP2).

Inject a 400 Hz tone at a level of 0dBm (775mV RMS = 2.2Vpp).	
Put the INPUT LEVEL control in the 0dBm position.	50 OHM
Put the GENERATOR in stereo mode (the corresponding led will switch on).	DUMMY
Enable the PILOT using the relevant switch (the green led will switch on).	LOAD

With the selector in the R/MONO position, check that the reading is 0db, measured on the +3dB FSD scale.

Repeat the operation for the L/MPX.

Check that the deviation reading is 100%.

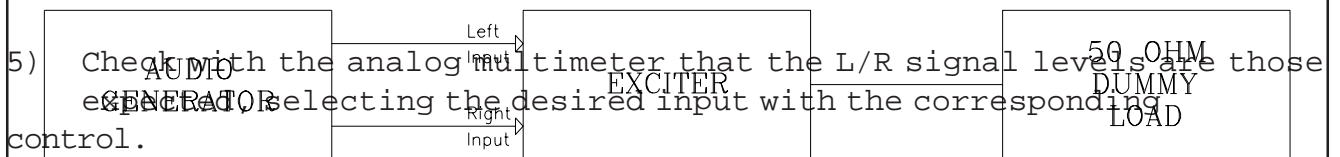
3.4 OPERATION USING THE INTERNAL STEREO ENCODER

1) Inject the pilot tone (4 Fig.1) checking that the corresponding led

switches on.

- 2) Select STEREO operation confirmed by the corresponding led.
- 3) Select the sensitivity of the audio LEFT/RIGHT inputs to match the signal level being supplied to the unit.

4) Connect the signal source to the LEFT/RIGHT inputs. These are balanced inputs (see SETUP3).

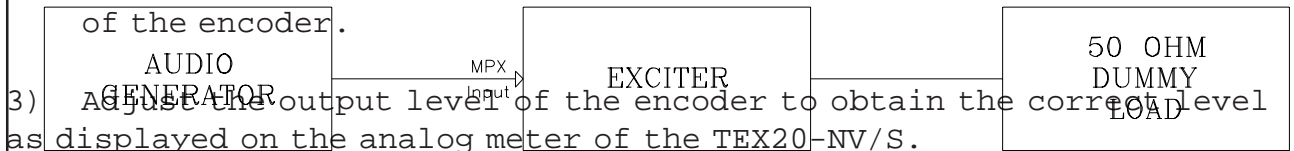


6) The effective modulation level ~~SETUP 3~~ can be measured on the analog multimeter by selecting DEV with the corresponding selector.

3.5 CONNECTION OF AN EXTERNAL STEREOPHONIC SOURCE

- 1) Connect the stereo source's output to the MPX input of the unit (see SETUP4).

2) Adjust the stereo encoder to obtain just the 19 KHz subcarrier output and ensure the total absence of signals on the left and right inputs of the encoder.

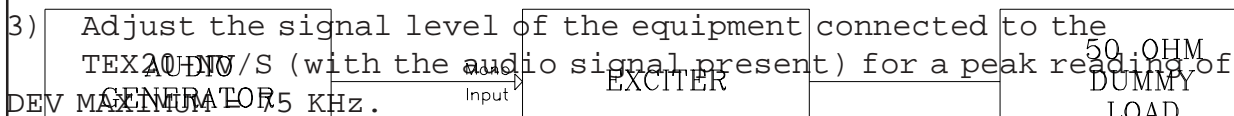


4) Inject audio signals into the ~~SETUP 4~~ left and right inputs of the encoder and adjust the sensitivity of the input to obtain a peak reading of MAX=75KHz with both channels enabled.

3.6 MONOPHONIC TRANSMISSION

1) Connect the signal source (audio mixer, receiver, compressor etc.) to the MONO input. This input is unbalanced (see SETUP5).

2) ~~Select the desired INPUT LEVEL.~~



Note that international standards permit a maximum deviation (DEV MAX) of 75 KHz for frequency modulated, radiotelevisive transmissions.

Exceeding this limit will only result in the degradation of signal quality. In the case of mono transmissions, the stereo input is available for frequencies between 15 KHz and 100 KHz ie. subcarriers for SCA, RDS etc.

SECTION 4

MAINTENANCE

4.1 SAFETY REQUIREMENTS

WARNING WARNING WARNING WARNING WARNING WARNING WARNING

When the exciter is operational, removing the top cover will expose lethal

voltages on the line voltage selector and heavy currents on the power supply filter terminals and power transistors.

Use insulated tools for any type of maintenance work and do not touch any internal components when the exciter is switched on.

Ensure that the exciter is disconnected from the line supply before carrying out any maintenance work.

MAINTENANCE LEVEL 1

4.2 ROUTINE MAINTENANCE

The only routine maintenance required by the TEX20-NV/S is the periodic replacement of the cooling fan and the removal of accumulated dust. The period between such action will depend on ambient operating conditions such as temperature, air-borne dust levels and humidity. It is advisable to check the unit every 6 months and to replace noisy or worn fans. Fans should be replaced as a matter of course after no more than 18 months of operation.

MAINTENANCE LEVEL 2

4.3 STEREO ENCODER CARD REPLACEMENT

- 1) Open the top and bottom covers of the unit.
- 2) Disconnect connectors J1, J3 and J4.
- 3) Unscrew the four nuts fixing the card.
- 4) Unscrew the screw inside the INPUT LEVEL knob and slide it off.
- 5) Raise the card from its supports, simultaneously sliding the switches and the INPUT LEVEL switch pivot from the panel.

4.4 RF POWER AMPLIFIER MODULE REPLACEMENT

- 1) Open the top and bottom covers of the unit.
- 2) Disconnect connector CN1 on the "CON-PA" card connected to connector CN2 of Meter Card.
- 3) Unscrew the three fixing screws situated on the lower part of internal metal shelf.
- 4) Disconnect the screened cable connecting the RF Power Amplifier module to the Main Card.
- 5) Slide out the RF Power Amplifier.

4.5 MAIN CARD REPLACEMENT

- 1) Open the top and bottom covers of the unit.
- 2) Disconnect connectors CN1 and CN2.
- 3) Disconnect the screened cable connecting the Main Card to the RF Power Amplifier module.
- 4) Unscrew the nuts fixing the card.
- 5) Remove the card upwards with great care.

4.6 AUDIO INPUT CARD REPLACEMENT

- 1) Open the top and bottom covers of the unit.
- 2) Disconnect connectors CN6 and CN7. To ease removal, disconnect connector CN2 situated on the Main Card first.
- 3) Unscrew the nuts of the two connectors BNC1 and BNC2 situated on the rear panel.
- 4) Unscrew the two screws fixing the terminal block panel, situated on the rear panel.
- 5) Desolder the six wires connecting the Audio Input Card to the two audio connectors, RIGHT (mono) and LEFT (MPX).
- 6) Slide the card out.

4.7 POWER SUPPLY MODULE REPLACEMENT

- 1) Open the top and bottom covers of the unit.
- 2) Unscrew the three fixing screws situated on the lower part of the internal metal shelf.
- 3) Disconnect connector CN1 from the Power Supply.
- 4) Take careful note of the position of the various colored connecting wires.
- 5) Disconnect the REMOTE faston connector situated on the power supply.
- 6) Take careful note of the positions of the fastons connected to the bridge rectifier.
- 7) Disconnect fastons JP1 and JP2 situated on the bridge rectifier.

- 8) Carefully lift out the power supply.

4.8 METER CARD REPLACEMENT

- 1) Open the top and bottom covers of the unit.
- 2) Unscrew the nut inside the measurement selector situated on the front panel and the selector fixing nut.
- 3) Disconnect connectors CN1 and CN2 situated on the Meter card.
- 4) Disconnect the fastons CN4 and CN5 and jumper CN3.
- 5) Remove the card paying careful attention to the various leds and adjustments.

4.9 FREQUENCY SELECTOR CARD REPLACEMENT

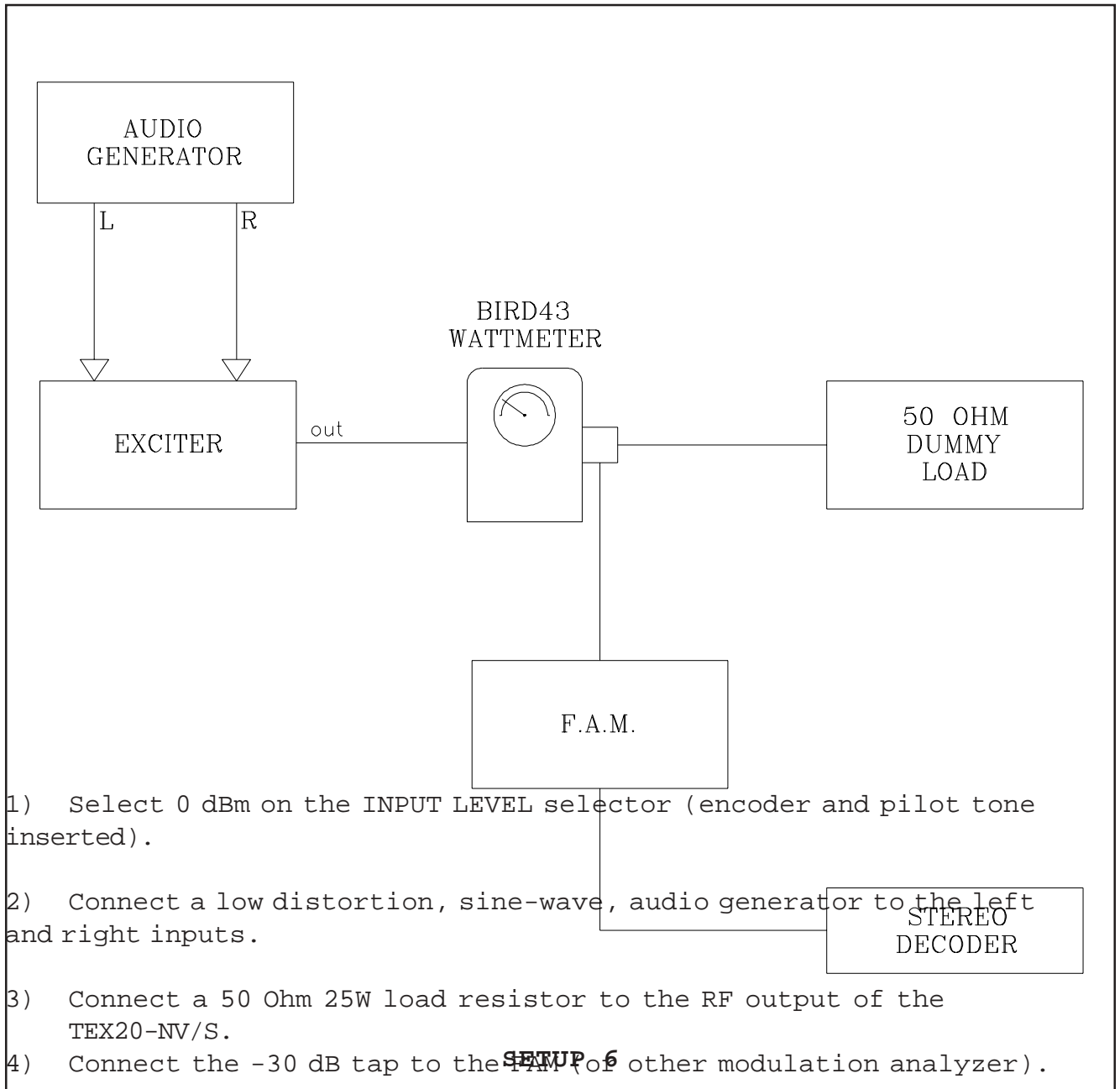
- 1) Open the top cover of the unit.
- 2) Disconnect connector CN1 situated on the Contraves card.
- 3) Unscrew the two fixing screws on the front panel.
- 4) Remove the Contraves card.

SECTION 5

CALIBRATION PROCEDURE

5.1 STEREO ENCODER CALIBRATION

It will be necessary to check and recalibrate the following parameters after replacement of the Stereo Encoder card (see SETUP6):



- 1) Select 0 dBm on the INPUT LEVEL selector (encoder and pilot tone inserted).
- 2) Connect a low distortion, sine-wave, audio generator to the left and right inputs.
- 3) Connect a 50 Ohm 25W load resistor to the RF output of the TEX20-NV/S.
- 4) Connect the -30 dB tap to the F.A.M. (or other modulation analyzer).
- 5) Connect a stereo MEAS-decoder to the rear FM-MPX output of the FAM.
- 6) Switch on the TEX20-NV/S and wait for the PLL to lock.
- 7) Adjust the audio output of the generator to 0 dBm ($2.2V_{pp} = 775mV_{RMS}$, 400Hz).
- 8) Select, with the appropriate control, a reading of R(MONO) and

adjust P8 on the encoder to obtain 0 dB.

8A) Repeat the operation for L(MPX), adjusting P7.

9) With the FAM in FM, P+ mode, and with a 30Hz-200KHz audio filter, check that the deviation is 75KHz. If not, adjust trimmer R35, situated on the Main card, accordingly.

9A) Remove the audio signal from both channels, leaving the pilot tone inserted, and check that the deviation is between 6.5KHz and 8KHz (typically 7.5KHz). Adjust P6 if necessary.

10) Remove the audio signal from one channel.

N.B. Check that the generator output is still at 0db.

Now measure the stereo separation with the Stereo Meas-Decoder, which, with a 400Hz signal, should be better than 45dB.

Repeat the operation for the other channel.

Should the separation figure be different for the two channels (a difference of upto 3dB is acceptable), adjust trimmer P4 on the Encoder card accordingly.

5.2 MAIN CARD CALIBRATION

After having replaced the Main Card and relevant connectors, carry out the following procedure (see SETUP6, previous page):

- 1) Connect an audio generator to the Left input (or Right).
- 2) Select 0 dBm on the INPUT LEVEL selector (encoder and pilot tone inserted).
- 3) Connect a 50 Ohm 25W load resistor to the RF output.
- 4) Connect the FAM or other modulation analyzer to the -30dB tap.
- 5) Connect a Stereo MEAS decoder to the rear output of the FAM "FM MPX".
- 6) Inject a 400Hz, 0dBm (775Vrms, 2.2Vpp) tone into the Left (or Right) input.
- 7) Configure the FAM to measure deviation with the "30Hz-200KHz/FM/P+" filters and check that it is 75KHz.
If not, adjust trimmer R35 accordingly.
Check that the deviation remains constant right across the band and, if not, adjust trimmer R36 on the Main Card, accordingly.
- 8) Remove the pilot tone with the switch, configure the FAM to measure distortion and adjust trimmer R34 to minimize distortion.

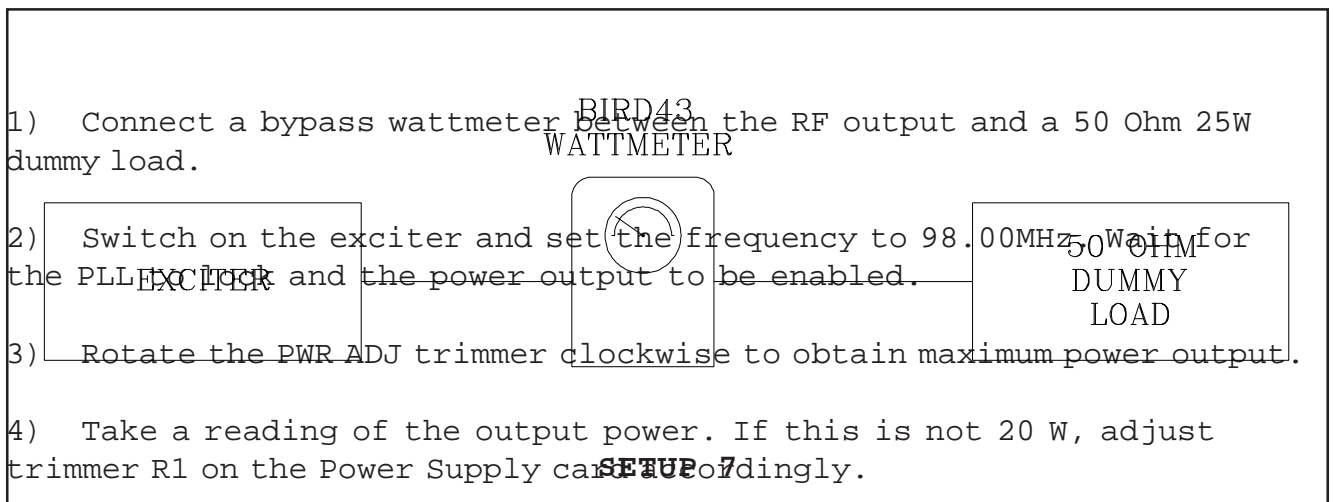
N.B. The audio generator used in these tests must have a distortion figure better than 0.001%.

Perform this test at the operating frequency of the exciter.

- 9) Repeat step (7).
- 10) Repeat the same procedure from step (2) for the Right (or Left) input.

5.3 RF POWER AMPLIFIER MODULE CALIBRATION

After having replaced the amplifier, carry out the following procedure (see SETUP7):



- 5) Take the same reading from the analog meter on the TEX20-NV/S, selecting PWR FWD. Adjust trimmer R8 on the Meter card for a meter reading of 20W.
- 6) Disconnect the dummy load from the exciter output, check for a power reduction of about 8W and the lighting of the SWR indicator.
Connect a voltmeter between telemetry terminal block connectors PD and PR and adjust R2 on the power supply card for a voltage of 0V ± 0.1V.
- 7) Rotate the PWR ADJ trimmer anticlockwise to obtain a FWD PWR reading of 25 W. Select the PWR REF reading. Adjust R7 on the Meter 100 for a reading of 25W fsd.
- 8) Reconnect the dummy load and rotate the PWR ADJ trimmer clockwise

until the output power is once more 20W.

5.4 POWER SUPPLY CALIBRATION

The only calibration procedure required in the event of Power Supply replacement is that of the RF Power Amplifier from step (1) to step (8).

5.5 AUDIO INPUT CARD CALIBRATION

No calibration is required after the replacement of this card.

5.6 FREQUENCY SELECTOR CARD CALIBRATION

No calibration is required after the replacement of this card.

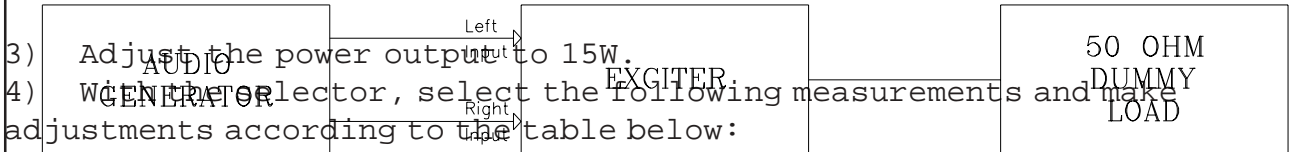
5.7 METER CARD CALIBRATION

All meter readings should be calibrated after the replacement of any card:

Perform SETUP8.

1) Inject a 400 Hz, 0dBm pilot tone into the Left (or Right) input.

2) Connect a bypass wattmeter between the RF output and a 50 Ohm, 25W dummy load.



MEASUREMENT	VALUE	ESD	TRIMMER	NOTE
R (MONO)	0dB	+3dB	R6	
L (MPX)	0dB	+3dB	R5	
FWD PWR	20W	25W	R8	
REF PWR	10W	25W	R7	1
DEV	VAR	100KHz	R4	

NOTE:

1) Disconnect the load for this measurement only and adjust PWR ADJ for 10W of direct output power.

INDICE

Istruzioni Preliminari e Informazioni di Garanzia Pag. 44

Regole di Sicurezza Pag. 37

CAPITOLO 1

Descrizione Generale Pag. 50

Caratteristiche Tecniche (Tabella A) Pag. 52

Caratteristiche Dimensionali e Ambientali (Tabella B) Pag. 54

CAPITOLO 2

Descrizione Elettrica Pag. 55

Descrizione del Pannello Frontale Pag. 58

Vista del Pannello Frontale (Fig.1) Pag. 60

Descrizione del Pannello Posteriore Pag. 61

Vista del Pannello Posteriore (Fig.2) Pag. 63

Descrizione della Vista dall'Alto Pag. 64

Foto della Vista dall'Alto (Foto 1) Pag. 65

Descrizione della Vista dal Basso Pag. 66

Foto della Vista dal Basso (Foto 2) Pag. 67

Diagramma a Blocchi (Fig.3) Pag. 68

Strumentazione Consigliata per i Test (Tabella C) Pag. 69

CAPITOLO 3

Operazioni per l'Installazione Pag. 70

CAPITOLO 4

Manutenzione Pag. 75

CAPITOLO 5

Taratura Pag. 78

APPENDICE A

Schemi Elettrici, Piani di Montaggio, Liste Componenti Pag. 83

<i>Diagrammi di Connessione</i>	<i>Pag. 84</i>
<i>Main Card</i>	<i>Pag. 86</i>
<i>Power Supply</i>	<i>Pag. 99</i>
<i>CON-PA Card</i>	<i>Pag. 104</i>
<i>R.F. Power Amplifier</i>	<i>Pag. 108</i>
<i>Audio Input Card</i>	<i>Pag. 113</i>
<i>Stereo Coder (Mod. SDC30)</i>	<i>Pag. 117</i>
<i>Meter Card</i>	<i>Pag. 124</i>
<i>Frequency Selector Card (Mod. TSW-1)</i>	<i>Pag. 128</i>
<i>Frequency Selector Card (Mod. TSW-3)</i>	<i>Pag. 132</i>
<i>TCXO Card</i>	<i>Pag. 136</i>
<i>Stereo Coder (Mod. SDC30A002)</i>	<i>Pag. 140</i>

ISTRUZIONI PRELIMINARI E INFORMAZIONI DI GARANZIA

ATTENZIONE: Questo è un apparecchio di "CLASSE A". In un ambiente residenziale questo apparecchio può provocare radio disturbi. In questo caso può essere richiesto all'utilizzatore di prendere misure adeguate.

Si prega di osservare le necessarie precauzioni di sicurezza quando si usa questa apparecchiatura.

Questa macchina presenta al suo interno correnti pericolose e alte tensioni.

Questo manuale è stato concepito per fornire una guida generale per coloro che hanno necessità di avere una conoscenza preliminare di questo tipo di macchina. Esso non intende quindi fornire una guida completa di tutte le regole di sicurezza che dovrebbero essere osservate dal personale durante l'uso di questa o altre apparecchiature elettroniche.

R.V.R. non assume la responsabilità per lesioni o danni causati da procedure errate o da un uso improprio da parte di personale non addestrato o non qualificato all'uso di questa unità.

Si prega osservare le norme locali e regole antincendio durante l'uso di questa macchina.

ATTENZIONE: disconnettere sempre l'alimentazione prima di aprire coperchi o rimuovere qualsiasi parte di questa apparecchiatura. Usare appropriate procedure di messa a terra per scaricare i condensatori e i punti di alta tensione prima di qualsiasi manutenzione.

Qualsiasi danno all'apparecchiatura causato dal trasporto deve essere segnalato al corriere e scritto sulla ricevuta di spedizione. Qualsiasi differenza o danno scoperto dopo la consegna, dovrà essere riferito all' R.V.R. entro cinque (5) giorni dalla consegna.

R.V.R. estende al cliente utente finale tutte le garanzie originali di fabbricazione che sono trasferibili e tutti i reclami devono essere fatti direttamente all'R.V.R. secondo procedure prestabilite.

Tutte le garanzie di fabbricazione saranno trattenute dall'R.V.R. per assicurare un'assistenza precisa e veloce dove possibile.

R.V.R. non sarà responsabile per qualsiasi danno di qualsiasi natura, a causa o in relazione all'uso del prodotto.

La garanzia R.V.R. non include:

- 1) Spedizione della macchina all'R.V.R. per la riparazione
- 2) Qualsiasi modifica o riparazione non autorizzata
- 3) Danni incidentali/causati non dovuti a difetti della macchina
- 4) Difetti nominali non incidentali
- 5) Costi di spedizione o di assicurazione della macchina o sostituzione

La garanzia entrerà in vigore dalla data di fattura per il periodo di garanzia di costruzione.

La garanzia di 12 mesi è riferita a qualsiasi prodotto R.V.R., mentre su prodotti quali transistor, Mos-Fet e valvole per finali vale la garanzia della casa costruttrice di tali dispositivi.

Per reclamare i propri diritti con questa garanzia:

a. Contattare il rivenditore o il distributore dove avete acquistato la macchina. Descrivere il problema e chiedere se è in grado di fornirvi una facile soluzione. Rivenditori e Distributori sono in grado di fornire tutte le informazioni relative ai problemi che possono presentarsi e normalmente possono riparare la macchina più velocemente di quello che potrebbe fare la casa costruttrice. Molto spesso errori di installazione vengono scoperti dai rivenditori.

b. Se il vostro rivenditore non può aiutarvi, contattare l'R.V.R. in Bologna e esporre il problema. Se viene stabilito di rispedire la macchina alla fabbrica, l'R.V.R. vi spedisce una regolare autorizzazione con tutte le necessarie istruzioni per la restituzione della merce.

c. Quando avete ricevuto l'autorizzazione, potete restituire la macchina. Imballarla con molta attenzione per la spedizione, preferibilmente usando l'imballo originale e sigillare l'imballo perfettamente. Il cliente assume sempre il rischio di perdita (es., l'R.V.R. non è mai responsabile per danni o perdita), finché l'imballo non raggiunge la sede dell'R.V.R.. Per questo motivo, vi consigliamo di assicurare la merce per il valore intero. La spedizione deve essere effettuata C.I.F. (PREPAID) all'indirizzo specificato dall'R.V.R. sull'autorizzazione.

NON RESTITUIRE LA MACCHINA SENZA LA NOSTRA AUTORIZZAZIONE IN QUANTO POTREBBE ESSERE RIFIUTATA.

Assicurarsi di allegare una diagnosi tecnica scritta dove sono elencati tutti i problemi riscontrati e una copia della vostra fattura originale che mostra la data di decorrenza della garanzia.

La sostituzione di parti in garanzia può essere richiesta al seguente indirizzo. Assicurarsi di allegare il modello della macchina e il numero di serie come pure la descrizione della parte e il suo numero di codice.

R.V.R. Elettronica S.r.l. - Broadcasting Equipment

-

**Via del Fonditore, 2/2c
40138 Bologna - Italy**

La società R.V.R. si riserva il diritto di apportare modifiche al progetto e alle specifiche della macchina in questo manuale senza alcun preavviso.

ATTENZIONE!

Le correnti e le tensioni presenti in questo dispositivo sono pericolose, il personale deve osservare sempre le norme di sicurezza.

Questo manuale rappresenta una guida generale per il personale addestrato e qualificato che è consapevole dei pericoli inerenti al trattamento potenzialmente rischioso dei circuiti elettrici ed elettronici.

Esso non si propone di contenere una relazione completa di tutte le precauzioni di sicurezza che devono essere osservate dal personale che utilizza questo o altri dispositivi.

L'installazione, il funzionamento, la manutenzione e l'impiego di questo dispositivo implica rischi sia per il personale che per il dispositivo stesso, il quale deve essere utilizzato solo da personale qualificato esercitando la dovuta attenzione.

La società **R.V.R. ELETTRONICA s.r.l.** non sarà responsabile per lesioni o danni risultanti da procedure improprie o dall'uso di personale inesperto o non correttamente addestrato all'adempimento di tali mansioni.

Durante l'installazione e il funzionamento di questo dispositivo, devono essere osservate le regole antincendio e i codici di costruzione locali.

ATTENZIONE!

Disconnettere sempre l'alimentazione prima di aprire i coperchi, i pannelli o le protezioni. Usare sempre strumenti isolati prima dell'utilizzo. Non eseguire mai regolazioni interne, operazioni di manutenzione o di servizio quando si è soli o quando si è stanchi.

Non rimuovere cortocircuiti o blocchi con interruttori interbloccanti su coperchi d'accesso, chiusure, pannelli e protezioni.

Tenersi lontano dai circuiti sotto tensione, imparare a conoscere il dispositivo e non prendere rischi.

ATTENZIONE!

In caso di emergenza assicurarsi che l'alimentazione sia stata disconnessa.

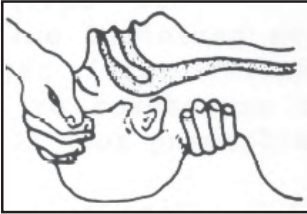
Trattamento degli shock elettrici

1) Se la vittima ha perso conoscenza seguire i principi di primo soccorso riportati nei punti A-B-C.

POSIZIONARE LA VITTIMA SDRAIATA SULLA SCHIENA SU UNA SUPERFICIE RIGIDA

A VIE AEREE

SE NON COSCIENTE,
APRIRE LE VIE AEREE



SOLLEVARE IL COLLO
SPINGERE INDIETRO LA FRONTE
APRIRE LA BOCCA SE NECESSARIO
CONTROLLARE LA RESPIRAZIONE

B RESPIRAZIONE

SE NON RESPIRA,
INIZIARE LA RESPIRAZIONE
ARTIFICIALE



INCLINARE LA TESTA
CHIUDERE LE NARICI
FARE ADERIRE LA BOCCA A
QUELLA DELLA VITTIMA
PRATICARE 4 RESPIRAZIONI
VELOCI
RICORDARSI DI INIZIARE
IMMEDIATAMENTE LA

RESPIRAZIONE

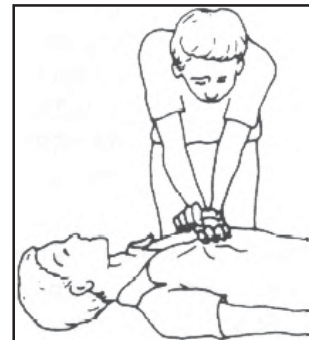
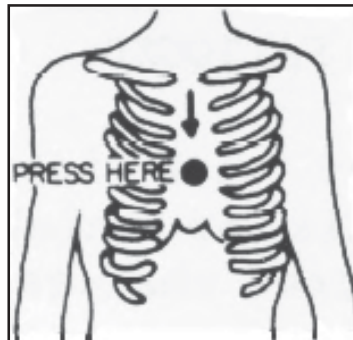
C CIRCOLAZIONE

CONTROLLARE IL BATTITO CARDIACO

COMPRIERE LO STERNO DA 1 1/2" A 2"



IN ASSENZA DI BATTITO,
INIZIARE IL MASSAGGIO
CARDIACO



APPROS. 80 SEC. : 1 SOCCORRITORE, 15 COMPRESSIONI,
2 RESPIRAZIONI VELOCI.

APPROS. 60 SEC. : 2 SOCCORRITORI, 5 COMPRESSIONI,
1 RESPIRAZIONE.

N.B. : NON INTERROMPERE IL RITMO DI COMPRESIONE QUANDO LA SECONDA PERSONA STA ESEGUENDO LA RESPIRAZIONE ARTIFICIALE.

Chiamare un medico il prima possibile.

2) Se la vittima è cosciente:

- a. Coprire la vittima con una coperta.
- b. Tranquillizzare la vittima.
- c. Slacciare gli abiti (sistemare la vittima in posizione coricata).

PRIMO SOCCORSO

Il personale impegnato nell'installazione, nel funzionamento, nella manutenzione o assistenza di questo dispositivo ha la necessità di avere familiarità con la teoria e le pratiche di primo soccorso.

La relazione seguente non rappresenta una guida completa delle procedure di primo soccorso, ma è solo un riassunto che deve essere usato come riferimento. E' compito di tutto il personale che usa questo dispositivo essere pronto a prestare un adeguato soccorso e perciò prevenire evitabili decessi.

TRATTAMENTO DELLE USTIONI ELETTRICHE

- 1) Vaste ustioni e tagli della pelle.
 - a. Coprire l'area con un lenzuolo o un panno pulito.
 - b. Non rompere le vesciche, rimuovere il tessuto, rimuovere le particelle di vestito che si sono attaccate alla pelle, applicare una pomata adatta.
 - c. Trattare la vittima come richiede il tipo di shock.
 - d. Trasportare la vittima in ospedale il più velocemente possibile.
 - e. Se braccia o gambe sono state colpite, tenerle sollevate.

NOTA BENE

Se l'aiuto medico non è disponibile prima di un'ora e la vittima è cosciente e non ha sforzi di vomito, somministrargli una soluzione liquida di sale e soda: 1 cucchiaino pieno di sale e mezzo cucchiaino di bicarbonato di sodio ogni 250 ml d'acqua (ne' caldo ne' freddo).

Permettere alla vittima di sorseggiare lentamente per circa 4 volte (1/2 bicchiere) per un periodo di 15 minuti.

Interrompere se si verificano sforzi di vomito. (Non dare alcool).

- 2) Ustioni meno gravi (1° e 2° grado).
 - a. Applicare compresse di garza fredde (non ghiacciate) usando un panno il più possibile pulito.
 - b. Non rompere le vesciche, rimuovere il tessuto, rimuovere le particelle di vestito che si sono attaccate alla pelle, applicare una pomata adatta.
 - c. Mettere se necessario abiti puliti e asciutti.
 - d. Trattare la vittima come richiede il tipo di shock.
 - e. ~~Trasportare la vittima all'ospedale il più velocemente possibile.~~
 - f. ~~Se braccia o gambe sono state colpite, tenerle sollevate.~~

CAPITOLO 1

DESCRIZIONE GENERALE

1.1 DESCRIZIONE INTERNA

Il TEX20-NV/S è realizzato in un contenitore rack 19" 3U, internamente assemblato con moduli montati su uno chassis principale ed collegati tra loro con connettori ad innesto, ciò consente una facile rimozione e sostituzione degli stessi.

Sul pannello frontale sono presenti le regolazioni di potenza d'uscita, del livello d'ingresso audio e il misuratore analogico dei parametri fondamentali di funzionamento.

Sul pannello posteriore si trovano i connettori di ingresso rete, ingresso audio, uscita RF e la morsettiera di telemetria.

1.2 DESCRIZIONE ELETTRICA

Il TEX20-NV/S è un eccitatore con frequenza programmabile da 87.5 a 108MHz in passi di 10KHz, in grado di erogare una potenza d'uscita da 2 a 20W regolabili con continuità su un carico di 50 ohm.

Il TEX20-NV/S incorpora un codificatore stereofonico che garantisce un ottima separazione stereofonica unitamente ad un basso livello di distorsione armonica, accetta inoltre due segnali SCA.

Tramite un comando frontale è possibile operare in "STEREO" o "MONO/MPX" escludendo il coder stereofonico e utilizzando gli ingressi "right" come ingresso "mono" e "left" come "wideband composite input".

Le caratteristiche di rilievo sono bassi valori di distorsione e di intermodulazione audio (tip. 0,05%) e un alto rapporto segnale rumore (tipico -72 dB).

Un selettore di tensione sul primario del trasformatore di alimentazione ne permette l'utilizzo con varie tensioni di rete.

1.3 MISURATORI ED INDICATORI

I parametri dell'eccitatore sono verificabili tramite il multimetro analogico (12 Fig.1) presente sul pannello frontale.

Le misure effettuate con il multimetro analogico sono identificate e selezionabili dal selettore rotante (11 Fig.1).

Il commutatore di frequenza (14 Fig.1) permette di selezionare la frequenza con passi di 10KHz.

Sono presenti tre led rossi di allarme che indicano il "non aggancio" del VCO (15 Fig.1), un eccesso di onde stazionarie in uscita (8 Fig.1) e il blocco della macchina da parte di un computer remoto (10 Fig.1).

Sono inoltre presenti altri tre led verdi (7 Fig.1) che segnalano la presenza delle tensioni +12V, +15V e +28V che servono per alimentare le varie schede dell'eccitatore.

Per quanto riguarda la parte stereofonica, vi è un selettore che permette di selezionare tra funzionamento Mono/MPX e Stereo (1 Fig.1) e uno che consente

di selezionare il livello del segnale d'ingresso (6 Fig.1).

Vi sono anche i trimmer di regolazione per il canale destro e sinistro (5 Fig.1) e un pulsante (4 Fig.1) che permette di inserire o disinserire la sottoportante stereofonica.

1.4 CONTROLLO AUTOMATICO DI FREQUENZA

La frequenza di lavoro è garantita da un oscillatore di riferimento compensato in temperatura e mantenuta da un sistema a PLL (phase locked loop). Il TEX20-NV/S raggiunge l'aggancio in frequenza in un tempo massimo di trenta secondi dall'accensione.

1.5 CIRCUITI DI CONTROLLO

I circuiti di controllo provvedono al controllo automatico della potenza di uscita che mantiene il livello prefissato su tutta la banda di frequenza, inoltre un ulteriore circuito protegge lo stadio finale da un eccesso di onde stazionarie o da eventuale corto circuito in uscita.

1.6 AMPLIFICATORE RF

L'amplificatore RF è a larga banda e garantisce una potenza di uscita regolabile da 2 a 20 W su tutta la banda.

Un filtro passa basso in uscita permette l'utilizzo del TEX20-NV/S come trasmettitore di piccola potenza direttamente in antenna.

1.7 SPECIFICHE DELL'APPARATO

Fare riferimento alla Tabella A per la caratteristiche elettriche e alla Tabella B per quelle dimensionali e ambientali.

TABELLA A

SPECIFICHE TECNICHE

Alimentazione	100-130V, 50-60Hz 198-250V, 50-60Hz
Consumo di Potenza	circa 130 W
Sistema di Raffreddamento	Ventilazione Forzata
Frequenze	da 87.5 a 108MHz a passi di 10KHz controllati da microprocessore
Potenza d'Uscita	regolabile da 2 a 20W
Controllo Automatico del Livello di Potenza	Stabilizza il livello RF settato
Impedenza d'Uscita	50 Ohm
Connettore d'Uscita	Standard di tipo "N"
Soppressione delle Armoniche	Conforme o Superiore alle normtive FCC e CCIR (> -65dB)
Soppressione delle Spurie	Conforme o Superiore alle normtive FCC e CCIR (> -80 dB)
Distorsione di Intermodulazione Composita	0.05% o meno misurati con toni 1KHz e 1.3 KHz, rapporto 1:1 al 100% di modulazione
Stabilità in Frequenza	± 500Hz (tipica ± 300Hz) da 0 a +50°C
Tipo di Modulazione	Modulazione FM sull'oscillatore RF in frequenza fondamentale
Deviazione di Frequenza	±75KHz nominali
Distorsione Armonica	< 0.10% (tipica 0.05%)
Preenfasi	50µs ±2% o 75µs ±2%, selezionabile
AM residua (asincrona)	65dB misurato con 100% di modulazione di ampiezza a 400Hz

senza de-emphasis, senza
modulazione FM presente

AM residua (sincrona) 55dB misurato con 100% di
modulazione di ampiezza a 400Hz
senza de-emphasis, con modulazione
FM = ± 75 KHz a 400Hz

Rapporto S/N FM > 75 dB mono, > 70 dB stereo
riferito a 75 KHz di deviazione in
banda da 30Hz a 15KHz e rilevatore
RMS

Impedenza Audio d'Ingresso 10 KOhm bilanciata o 5KOhm
sbilanciata (600 Ohm su richiesta)

Livello Audio d'Ingresso Regolabile su 5 livelli fissi o
con continuità da -12 a +9 dBm

Range delle Frequenza Audio d'Ingresso 30-15000 Hz, ingresso MONO
30-100000 Hz, ingresso MPX

Attenuazione del Filtro Audio d'Ingresso > o = a 45dB a 19KHz d'ingresso
audio (Mono)

Risposta in Frequenza sull'Ingresso Mono ± 0.3 dB da 30Hz a 15KHz

Risposta in Frequenza sull'Ingresso MPX ± 0.3 dB from 30Hz to 100KHz

Separazione Stereo > 45dB (tipica 50dB)

Frequenza Tono Pilota 19KHz ± 1 Hz

Livello Tono Pilota -20dBm regolabile

Numero di Ingressi SCA 2

Impedenza d'Ingresso SCA 1KOhm, sbilanciata

Livello d'Ingresso SCA 0dBm per ± 7.5 KHz di deviazione

Risposta in Ampiezza Ingressi SCA ± 0.5 dBm from 40KHz to 100KHz

TABELLA B

SPECIFICHE DIMENSIONALI E AMBIENTALI

<i>Dimensioni del Rack</i>	483.0 mm (19")W 132.5 mm (5.22")H 345.0 mm (13.58")D
<i>Temperatura di Funzionamento</i>	da -10°C a 50°C
<i>Umidità</i>	95% max, senza condensa
<i>Peso</i>	13Kg

CAPITOLO 2

DESCRIZIONE ELETTRICA

2.1 INTRODUZIONE

Questa sezione descrive in maniera complessiva la teoria di funzionamento del TEX20-NV/S.

Per comodità descrittiva l'apparato è stato suddiviso in sottoinsiemi che saranno discussi in maniera approfondita di seguito.

Il diagramma a blocchi dell'apparecchiatura è rappresentato in Fig.3.

2.2 ALIMENTATORE

Questo circuito (5 Foto 1) è formato da una scheda collocata su un dissipatore fissato nella parte centrale del piano intermedio.

L'alimentatore fornisce le tensioni stabilizzate necessarie al funzionamento dei vari moduli che compongono il TEX20-NV/S.

La tensione di rete dopo un filtraggio "EMI" viene trasformata in valori più bassi di tensione, che dopo essere state rettificata e filtrate vengono stabilizzate in: +12V, +15V, e in una tensione variabile da 2 a 24V (+28V a monte dello stadio di controllo della tensione).

La +15V alimenta il coder mixer, la main card, la scheda meter, e la scheda contraves, la +12V alimenta il driver del RF power amplifier e la tensione variabile 2/24V alimenta lo stadio finale di potenza dello stesso modulo. La tensione variabile dello stadio finale viene variata tramite il comando esterno "PWR ADJ" (9 Fig.1) e determina il livello della potenza di uscita RF dell'eccitatore.

Il controllo automatico di potenza in uscita, garantisce il livello della potenza prefissato tramite il comando PWR ADJ e su tutta la gamma di frequenze e al variare dei diversi parametri di funzionamento, es. temperatura, variazione di carico etc.

Questo controllo viene effettuato comparando la tensione fissata dal comando PWR ADJ con quella fornita dal misuratore di potenza in uscita.

Un sistema di limitazione della potenza di uscita interviene quando si ha un eccesso di onde stazionarie, salvaguardando la vita dello stadio finale.

2.3 AUDIO INPUT CARD

Questa scheda (2 Foto 2) è posizionata sul pannello posteriore del trasmettitore.

In questa scheda transitano i segnali audio provenienti dall'esterno che vengono preventivamente ripuliti da eventuali interferenze dovute a segnali a radiofrequenza e successivamente inviati alla scheda coder mixer.

Un apposito connettore rende disponibili all'esterno dell'apparecchiatura i principali parametri elettrici di funzionamento dell'eccitatore per eventuali controlli a distanza.

2.4 CODER MIXER

Questa scheda (1 Foto 2) è posizionata nella parte inferiore del piano

interno.

Questa scheda può funzionare come codificatore stereo oppure come semplice mixer dei vari ingressi audio, tali funzioni sono selezionabili dal pannello frontale tramite l'apposito comando.

Nel funzionamento come codificatore stereofonico, da un oscillatore quarzato di riferimento viene ottenuto il tono pilota (19KHz) e la frequenza di campionamento che permette di ottenere la porzione L-R del segnale multiplex e relativa soppressione dei 38KHz.

I segnali "LEFT" e "RIGHT" dopo la regolazione del livello, ottenuta agendo sull'apposito commutatore accessibile dal pannello frontale, vengono filtrati a 15KHz ed eventualmente preenfattizzati (50 μ S CCIR 75 μ S FCC) per poi essere inviati al sistema multiplex.

All'uscita si ha la miscelazione con i segnali audio provenienti dai due ingressi SCA.

Nel funzionamento come miscelatore (Mono/Mpx) viene esclusa la parte di codifica stereo e l'ingresso "right" viene predisposto per un segnale di tipo monofonico e l'ingresso "left" viene predisposto per un segnale multiplex con banda passante fino a 100KHz, gli ingressi SCA rimangono invariati.

Tre raddrizzatori di picco rendono disponibile i livelli dei due ingressi "LEFT/Mpx" e "Right/Mono" sullo strumento analogico e il livello di deviazione per il circuito di controllo della presenza di audio.

2.5 MAIN CARD

La main card (1 Foto 1) è situata nella parte superiore del telaio interno all'apparecchiatura.

In questa scheda un oscillatore controllato in tensione (VCO, 2 Foto 1) genera il segnale sulla frequenza di funzionamento impostata.

Questo segnale viene amplificato per poter pilotare lo stadio finale e per essere inviato al circuito di controllo a PLL.

Il segnale audio proveniente dal coder mixer viene amplificato e processato per compensare le distorsioni causate dai diodi varicap e quindi iniettato nel VCO per effettuare la modulazione di classe F3E.

La frequenza di lavoro del VCO, dopo opportuna divisione, viene comparata ad una frequenza di riferimento ottenuta da un generatore ad alta stabilità (standard 5ppm) e la tensione di errore, successivamente filtrata, viene utilizzata per garantire la stabilità della frequenza del VCO.

La situazione di non aggancio viene segnalata dall'apposito indicatore posto sul pannello anteriore.

In questa scheda sono presenti tre trimmer che servono per regolare la deviazione, la distorsione e per la pre-polarizzazione dei varicap.

2.6 RF POWER AMPLIFIER

Lo stadio finale (4 Foto 1) di potenza è montato su di un dissipatore che provvede alla dissipazione del calore generato ed è racchiuso in un contenitore metallico totalmente schermato fissato nella parte centrale superiore del piano intermedio (V. Foto 1).

Il segnale RF proveniente dalla main card a livello di circa 150-200 mW giunge allo stadio pilota (MRF237 in classe C), viene amplificato ad un livello di

circa 2W quindi inviato allo stadio finale (BLW86) che provvede all'ultima amplificazione fino a 20W.

Il segnale ottenuto viene poi trattato da un filtro passa basso che provvede all'eliminazione delle emissioni armoniche.

Un accoppiatore direzionale provvede alla lettura della potenza diretta e riflessa dal carico, tali segnali vengono inviati all'alimentatore per gli opportuni controlli (V. descrizione alimentatore) e al multimetro.

Un prelievo a livello di -30dB della potenza in uscita è disponibile su un connettore BNC sito nel pannello posteriore.

2.7 METER CARD

Questa scheda (3 Foto 2) è situata sul pannello frontale in posizione centrale.

Questa scheda riceve dall'alimentatore i segnali relativi alla potenza diretta e riflessa provenienti dalla stadio finale di potenza, e dalla scheda Stereo Coder i segnali relativi alla deviazione e ai livelli del canale destro e sinistro.

Questi segnali vengono inviati allo strumento di misura analogico a seconda della selezione effettuata tramite il selettore rotante (11 Fig.1) posto sul pannello frontale.

2.8 FREQUENCY SELECTOR CARD

Questa scheda (3 Foto 1) è fissata nella parte sinistra del pannello frontale.

Il valore di frequenza settato sul selettore di frequenza viene associato ad un segnale che viene inviato ai divisori di frequenza del PLL posti sulla scheda Main card.

2.8 CLIPPER CARD

Questa scheda è fissata con una struttura di tipo sandwich sulla scheda coder ed è accessibile dalla parte inferiore della macchina. La sua funzione è quella di limitare drasticamente qualsiasi segnale audio che superi una soglia prefissata. La sua funzione è quindi quella di prevenire qualsiasi tipo di sovrarmodulazione rispetto al picco massimo consentito di $\pm 75\text{KHz}$.

Con un segnale eccedente, anche istantaneamente, di 6dB il livello nominale per una deviazione di 75KHz, tale scheda permette di contenere l'aumento di deviazione entro 1dB.

CAPITOLO 3 **INSTALLAZIONE**

DESCRIZIONE DELLA VISTA DEL PANNELLO FRONTALE (FIG.1)

- | | | |
|----|-----------------------------|--|
| 1 | STEREO/MONO-MPX | Selettore per funzionamento "STEREO" o "Mono/MPX" |
| 2 | LED STEREO/MONO-MPX | Led acceso = Stereo coder inserito
Led spento = Stereo coder disinserito |
| 3 | Led 19KHz | Indicatore led informa che è stato inserito il tono pilota (19KHz) |
| 4 | SELETTORE MODO | Interruttore Premuto : Stereo Mode Op.
presenza tono pilota
Interruttore Rilasciato: Mono Mode Op.
tono pilota assente |
| 5 | LIVELLO L/MPX & R/MONO | Livello d'ingresso "L/MPX" e "R/MONO" regolabile da -12 a +9dBm; questo è possibile se il commutatore del livello d'ingresso è completamente ruotato in senso orario |
| 6 | INPUT LEVEL | Attenuatore d'ingresso con 5 posizioni fisse da -9 a +6dBm |
| 7 | INDICATORI TENSIONI INTERNE | Indicatori della presenza delle tensioni interne di funzionamento +12V, +15V e +28V |
| 8 | SWR | Led che segnala il superamento della soglia di SWR massima ammissibile |
| 9 | PWR ADJ | Trimmer per la regolazione della potenza d'uscita dell'eccitatore |
| 10 | REMOTE | Indicatore luminoso che indica il blocco dell'eccitatore da parte di un controllore remoto |
| 11 | SELETTORE DI MISURA | Permette di selezionare quale misura effettuare sul multimetro : |
-
- | | |
|-------------|---|
| REF -----> | Misura Potenza Riflessa |
| FWD -----> | Misura Potenza Diretta |
| L. MPX ---> | Livello del segnale L. MPX in ingresso |
| R. MONO --> | Livello del segnale R. Mono in ingresso |
| DEV -----> | Misura della deviazione |
| OFF -----> | Posizione non utilizzata |

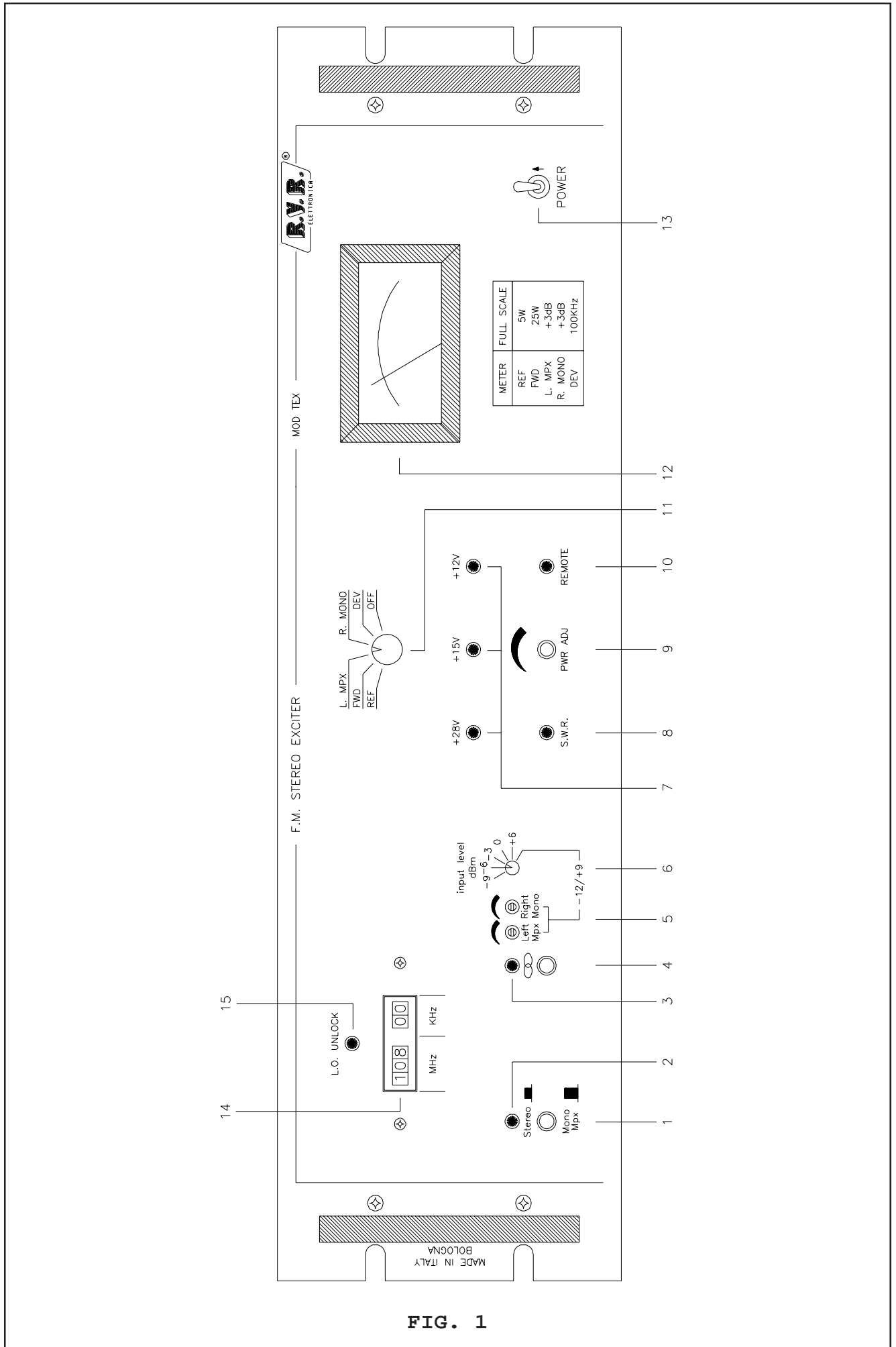
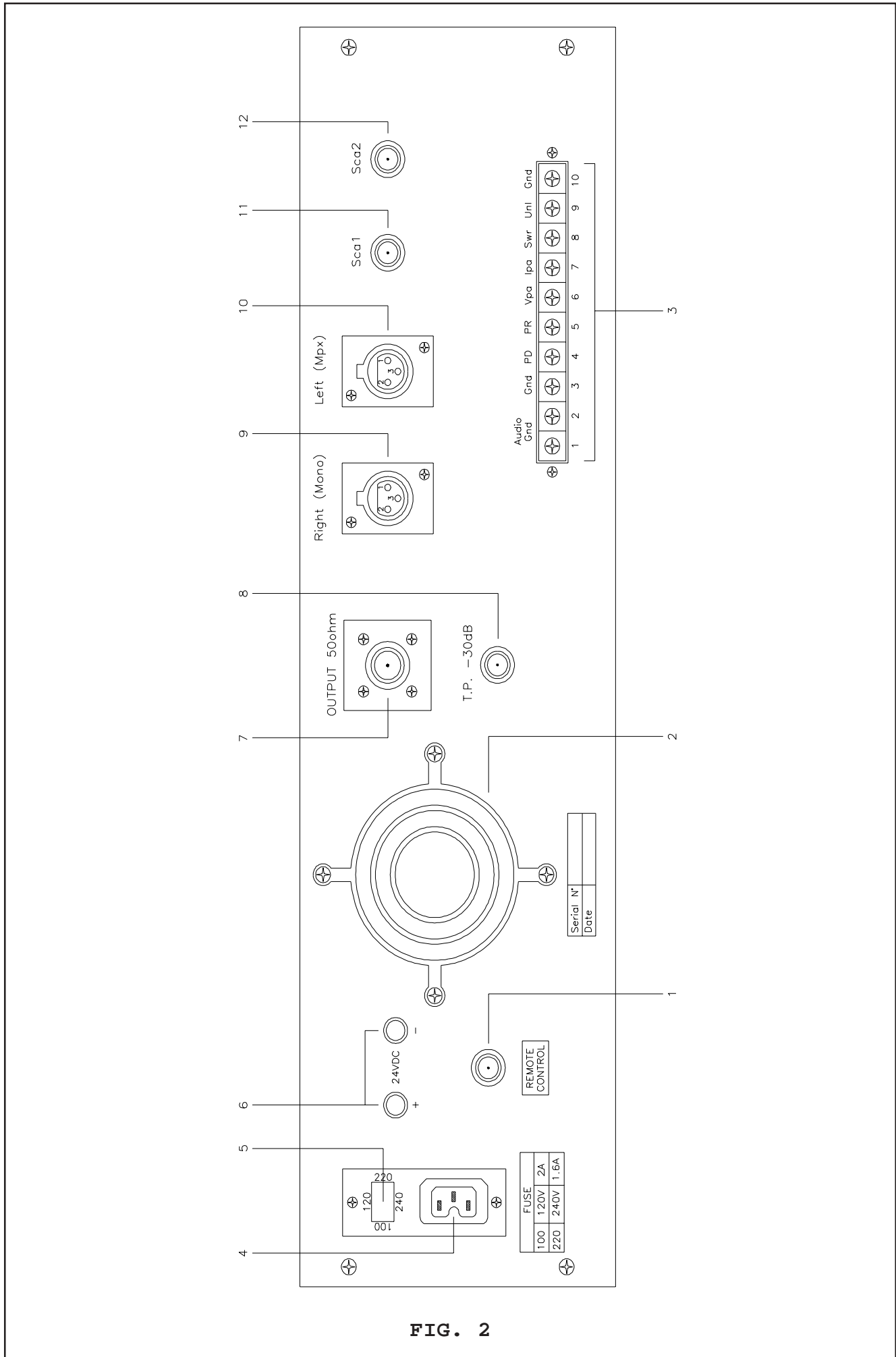


FIG. 1

DESCRIZIONE DELLA VISTA DEL PANNELLO POSTERIORE (FIG.2)

- 1 REMOTE CONTROL Connettore BNC. Posizionando la massa sul Pin centrale, la potenza d'uscita andrà a zero e vi resterà finchè la massa non verrà rimossa. Quando viene un amplificatore R.V.R., questo connettore viene collegato con il REMOTE dell'amplificatore di questo connettore potenza. usato con
- 2 VENTOLA Ventola per il raffreddamento dello stadio di amplificazione e per lo stadio di alimentazione.
- 3 TERMINALI DI TELEMETRIA Connettore 10 pin per telemetria.
 1-2 Audio GND
 3-10 GND
 4 PD = Potenza Diretta
 5 PR = Potenza Riflessa
 6 VPA
 7 IPA
 8 Allarme SWR
 9 Allarme di Unlock
- 4 PLUG D'ALIMENTAZIONE Presa di alimentazione dell'eccitatore
- 5 BLOCCO FUSIBILI E CAMBIA TENSIONE Blocco fusibili e cambia tensione. Usare un piccolo cacciavite per cambiare fusibile o tensione. Girare il blocco e posizionarlo sulla tensione di funzionamento desiderato
- 6 24VDC (Optional) 24VDC Connettori per l'alimentazione esterna
- 7 USCITA R.F. 50 Ohm, Connettore tipo "N"
- 8 T.P. -30dB -40dB rispetto al livello d'uscita
- 9 RIGHT (MONO) Connettore "cannon XLR" per la versione con ingresso bilanciato:
 1 GND
 2 (+) Inphase
 3 (-) Return
- 10 LEFT (MPX) Connettore "cannon XLR" per la versione con ingresso bilanciato:
 1 GND
 2 (+) Inphase
 3 (-) Return
- 11 SCA 1 Connettore BNC ingresso sbilanciato SCA1

12 SCA 2 *Connettore BNC ingresso sbilanciato SCA2
 o pilota d'uscita internamente
 selezionabile per Coder RDS*



DESCRIZIONE DELLA VISTA DALL'ALTO (FOIO 1)

- 1 *Main Card*
- 2 *V.C.O.*
- 3 *Scheda Selettore di Frequenza*
- 4 *Stadio di Amplificazione R.F.*
- 5 *Alimentatore*
- 6 *Trasformatore*

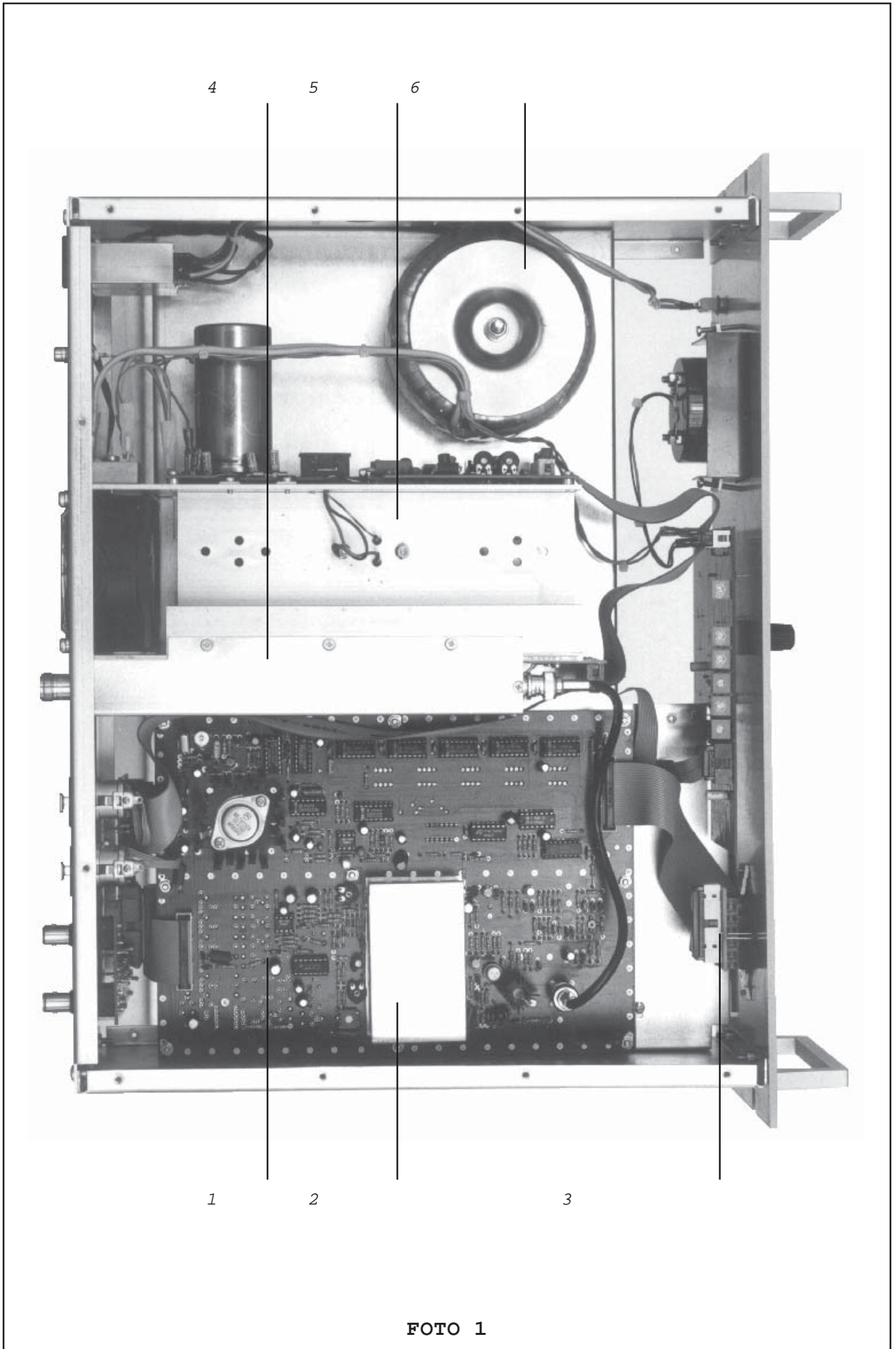


FOTO 1

DESCRIZIONE DALLA VISTA DALL'ALTO (FOIO 2)

- 1 Scheda Stereo Coder
- 2 Scheda Ingresso Audio
- 3 Scheda Misure (Meter)

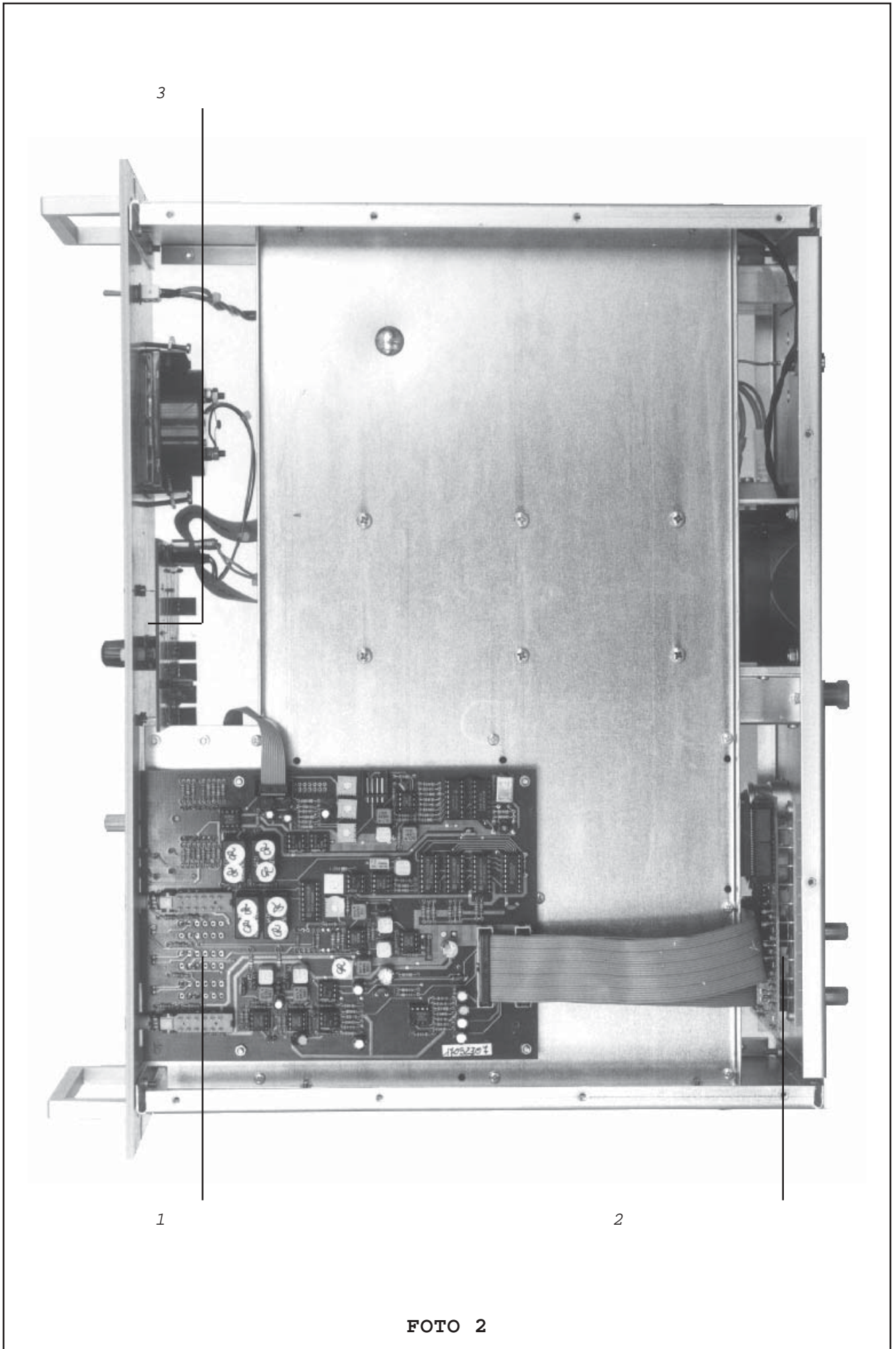


FOTO 2

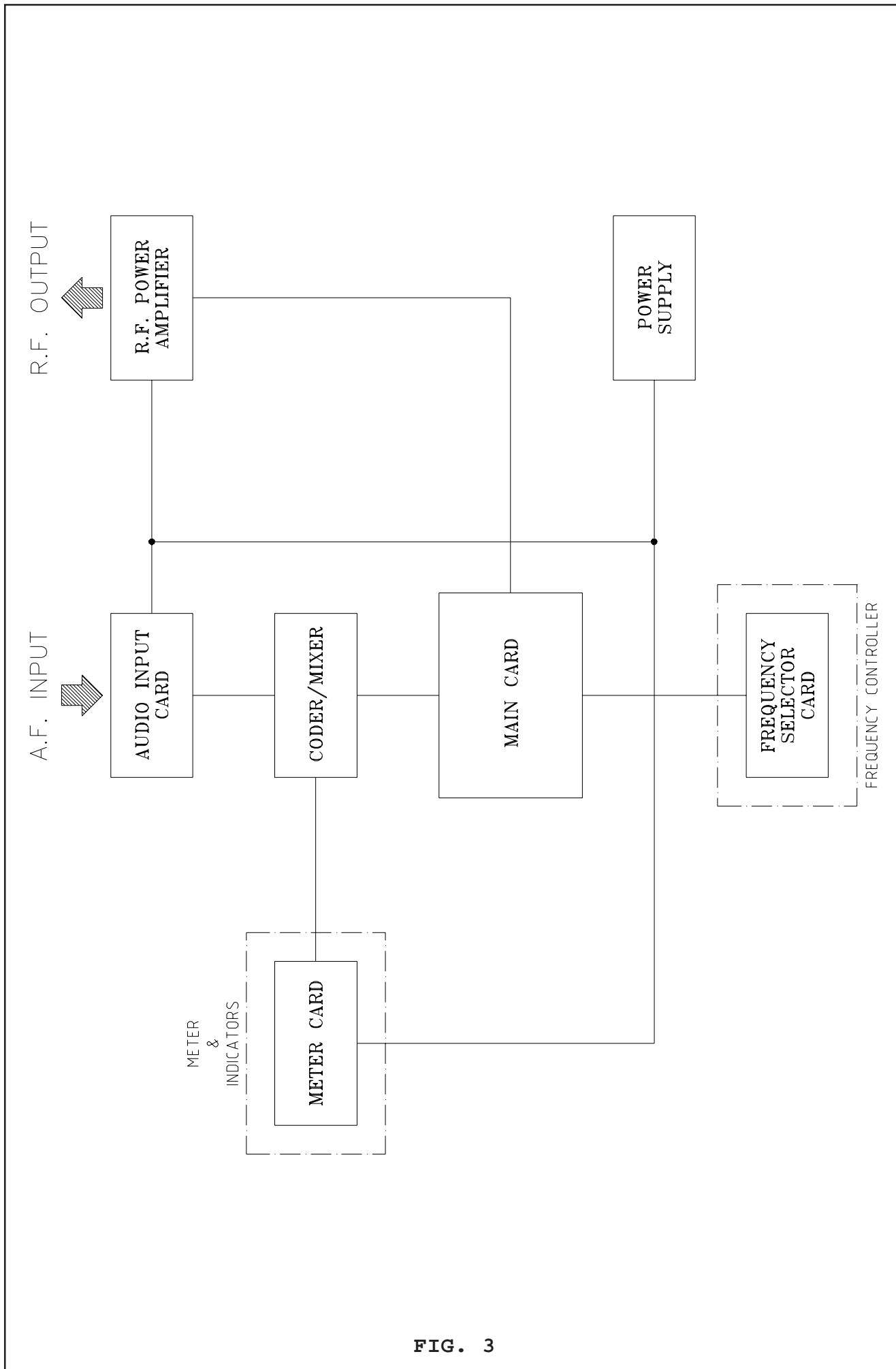


FIG. 3

TABELLA C

STRUMENTAZIONE CONSIGLIATA PER I TEST

<i>TIPO DI STRUMENTO SPECIFICHE TECNICHE</i>	<i>MODELLO SUGGERITO</i>	<i>MODELLO SUGGERITO</i>
Coaxial Load Resistor Mod. 8085	Bird	Power rating 50W continuous
Wattmeter Mod. 43	Bird	Power range : 100mW to 10KW using Bird Plug-in-Elements Frequency range : 0.45 to 2300MHz
Plug-in-Elements	Bird Mod. 25B	Power rating : 25W Freq. range : 25 to 125MHz
Variable RF Signal Sampler Element	Bird Mod. 4275-100	Power rating : 1000W Freq. range : 25 to 1000MHz
Spectrum Analyzer	Adavntest Mod. R4141D	10KHz-3.5GHz
Low Distortion A.F. Genarator	Krohn-Hite Mod. 4400A	THD < 0.001%
Oscilloscope	Tektronix Mod. 2225	50MHz Oscilloscope
Stereo Decoder	A.E.V. Mod. SMD	Stereo separation > 60dB 30Hz to 15KHz
F.M. Modulation Meter	Rohde Schwarz Mod. F.A.M.	
Digital Multimeter	Metrix	

3.1 INTRODUZIONE

Questo capitolo contiene le informazioni necessarie per l'installazione ed il controllo preliminare del TEX20-NV/S.

3.2 DISIMBALLAGGIO

Togliere dall'imballo l'apparecchiatura e prima di iniziare qualsiasi operazione, controllare che l'apparato non abbia subito danni durante il trasporto, e quindi tutti i comandi presenti sul pannello anteriore e posteriore siano utilizzabili.

3.3 INSTALLAZIONE

1) Verificare sul pannello posteriore che il selettore della tensione di rete sia posizionato sul giusto valore: eventualmente con un cacciavite sollevare il cappuccio (5 Fig.2) su cui sono stampati i valori di tensione e ruotarlo fino a che il valore che interessa corrisponda con la freccetta e quindi reinserirlo.

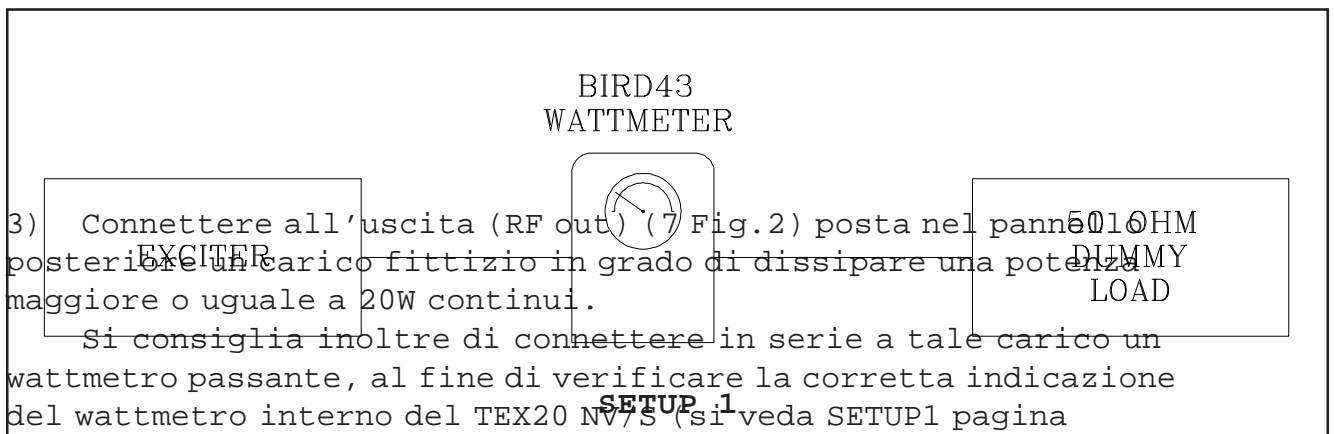
Verificare inoltre la presenza e l'integrità del fusibile contenuto nel cappuccio stesso.

I valori in Ampère di tale fusibile sono di seguito riassunti:

220-240 V - 1.6 A
100-120 V - 2.0 A

2) A questo punto, con un piccolo cacciavite occorre accertarsi che il comando "PWR ADJ" (9 Fig.1) sia ruotato completamente in senso antiorario (N.B. Il comando è un multigiri per cui sarà necessario sincerarsi che il comando sia in effetti arrivato al minimo).

Di norma l'apparecchio viene consegnato con tale regolazione al minimo, In tale posizione, quando l'apparecchio viene messo in funzione, la PWR di uscita è di circa 2W.



precedente).

4) Collegare alla presa posteriore REMOTE (1 Fig.2) un cavo alla cui estremità sia connesso un interruttore in grado di creare un corto circuito tra schermo e centrale, e posizionarlo in modo da ottenere questo corto circuito.

5) Posizionare l'interruttore di accensione su OFF (13 Fig.1).

6) Connettere il cavo di rete nell'apposita vaschetta VDE (4 Fig.2).

N.B. E' indispensabile che l'impianto sia provvisto di messa a terra per l'incolumità dell'operatore e per un corretto funzionamento dell'apparato.

7) Porre l'interruttore di accensione su ON e verificare l'accensione: della spia rossa UNLOCK (15 Fig.1) e delle spie verdi relative alle tensioni di funzionamento (7 Fig.1).

Selezionare la frequenza desiderata tramite il selettore (14 Fig.1).

Entro 30 sec. si dovrà verificare lo spegnimento del led rosso UNLOCK; questo indica che l'oscillatore è agganciato sulla frequenza di lavoro impostata.

Il selettore di frequenza è composto di cinque cifre, di cui due sempre alla destra del punto decimale che rappresentano (dal punto verso destra) la prima le centinaia di KHz e la seconda le decine di KHz, mentre sulla sinistra possono apparire due o tre cifre che rappresentano (dal punto verso sinistra), la prima le unità di MHz, la seconda le decine di MHz e la terza le centinaia di MHz.

Es: 098.45 = novantotto Megahertz e quattrocentocinquanta Chiloherzt.

Es: 103.94 = centotre Megahertz e novecentoquaranta Chiloherzt.

Inoltre, se si imposta una frequenza non compresa tra i due valori estremi della banda 87.50 o 108.00, la macchina lavora ugualmente anche se la frequenza selezionata può non corrispondere più a quella realmente erogata.

8) Dopo avere verificato l'avvenuto aggancio sulla frequenza prescelta tramite lo spegnimento della spia UNLOCK, azionare l'interruttore esterno relativo al cavo REMOTE al fine di rimuovere il corto circuito fra massa e centrale; ora è stata abilitata la potenza d'uscita, che dovrà corrispondere a circa 2W.

Per effettuare questa lettura sincerarsi che il selettore di misura (11 Fig.1) sia posizionato su FWD e leggere il valore sulla scala dei 25W (fondo scala).

9) Con un piccolo cacciavite girare il comando PWR ADJ in senso orario e constatare un graduale aumento della potenza in uscita, fino ad un massimo di 20W.

Eventualmente verificare la correttezza del valore con il wattmetro passante ($\pm 10\%$).

10) Lasciando la PWR a 20W, impostare una nuova frequenza notevolmente distante dall'ultima.

Es: 107.00MHz : all'accensione della spia UNLOCK si dovrà avere l'azzeramento completo della potenza in uscita e solamente allo spegnimento di tale led (nuova frequenza agganciata) si riavrà la PWR in uscita.

11) Verifica del controllo automatico di potenza.

E' consigliabile iniziare tale operazione impostando la frequenza di 87.50 MHz e, ottenuto l'aggancio, regolare PWR ADJ per 10W in uscita.

Ora senza più agire su PWR ADJ, spostando la frequenza con salti di 4 o 5MHz, verificare che la PWR in uscita rimanga di valore costante, cioè 10W.

12) Verifica accensione allarme SWR.

Per tale prova regolare il comando PWR ADJ per una potenza di 5W, scollegare il carico dall'uscita, e constatare l'accensione della spia S.W.R..

Ora agire sul comando PWR ADJ per controllare che l'accensione avvenga a circa 4W di potenza riflessa.

Ora, verificare, continuando ad aumentare la PWR fino ad arrivare al massimo di PWR ADJ, che la potenza riflessa non salga oltre i 10W.

Poi ricollegare il carico in uscita e verificare che la REF scenda a zero, il led SWR si spenga e la PWR FWD salga a 20W.

13) Ora cortocircuitare sul REMOTE il centrale con la massa e si dovrà avere un azzeramento istantaneo della potenza in uscita.

Riaprendo il corto circuito, la potenza in uscita salirà gradatamente fino al valore precedente.

14) Verifica misuratore di deviazione.

La massima sensibilità d'ingresso è relativa alla posizione del comando INPUT LEVEL (6 Fig.1), inoltre, nella posizione -12/+9 dipenderà dalle regolazioni L/mpx e R/mono (5 Fig.1).

Porre il selettore di misura (11 Fig.1) sulla posizione DEV.

15) Collegare un generatore di audio a bassa distorsione agli ingressi LEFT e RIGHT (9 e 10 Fig.2). Iniettare un tono a 400Hz con ampiezza uguale a 0dBm ($775\text{mV RMS} = 2.2\text{Vpp}$). Posizionare il comando INPUT LEVEL su 0dBm. Posizionare il pulsante (1 Fig.1) in posizione "stereo" (accensione led relativo). Posizionare il pulsante "PILOTA" (4 Fig.1) inserito (accensione led relativo). Ponendo il selettore

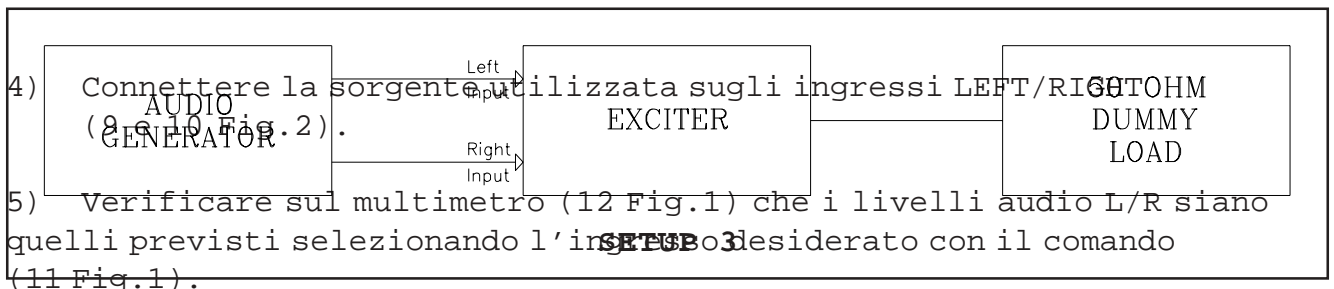
(11 Fig.1) sulla posizione "R/MONO", e verificare sulla scala esterna di +3dB f.s. la lettura di 0dB.

Ripetere l'operazione per la misura di L/MPX.

Verificare che la deviazione misurata sullo strumento sia del 100%.

3.4 FUNZIONAMENTO CON STEREO CODER INTERNO

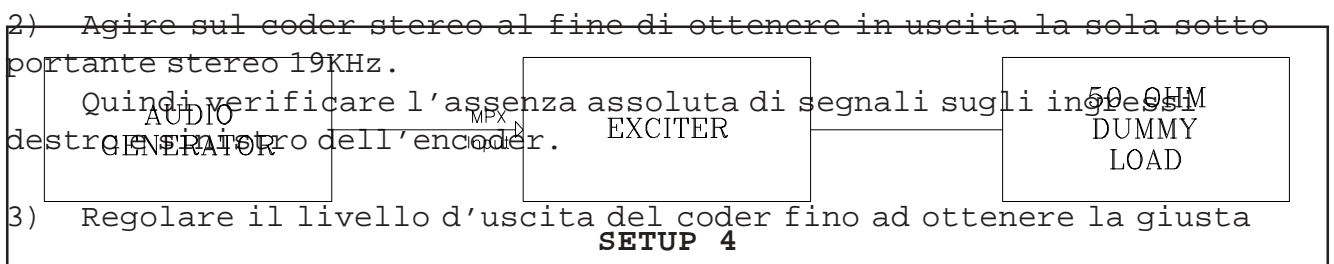
- 1) Inserire il tono pilota (4 Fig.1) confermata dall'accensione del relativo led.
- 2) Inserire la funzione "STEREO" (1 Fig.1) confermata dall'accensione del relativo led.
- 3) Selezionare la sensibilità degli ingressi audio "LEFT/RIGHT" (5 Fig.1) in funzione del livello fornito dalla sorgente utilizzata.



- 6) Selezionando la posizione DEV con il selettore (11 Fig.1) è possibile leggere l'effettivo livello di modulazione sullo strumento analogico (12 Fig.1).

3.5 CONNESSIONE DI UNA SORGENTE STEREOFONICA ESTERNA

- 1) Connettere l'uscita della sorgente stereo all'ingresso MPX (10 Fig.2), si veda SETUP4.

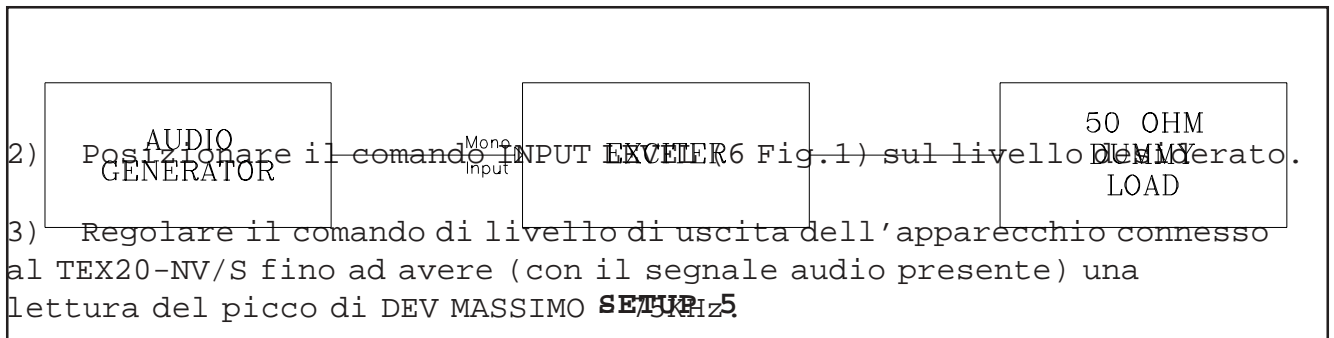


iniezione di livello, riscontrabile sullo strumento analogico del TEX20-NV/S.

4) Immettere i segnali audio sui canali destro e sinistro coder e regolare la sensibilità d'ingresso dell'encoder fino ad ottenere (con entrambi i canali inseriti), una lettura PICCO MAX=75KHZ.

3.6 OPERAZIONI PER TRASMISSIONE MONOFONICA (MONO)

1) Collegare all'ingresso MONO (9 Fig.2) la sorgente di segnale (si veda SETUP5).



Rammentiamo che secondo lo standard internazionale la DEV MAX ammissibile per una trasmissione radiofonica in modulazione di frequenza è di 75KHz.

Un eccesso rispetto a tale valore comporta esclusivamente una degradazione della qualità stessa.

In caso di trasmissione monofonica, l'ingresso stereo è comunque disponibile ad accettare segnali audio compresi fra i 15KHz e 100KHz, quindi sotto portanti S.C.A., RADIO DATA, etc..

CAPITOLO 4 **MANUTENZIONE**

4.1 NORME DI SICUREZZA

ATTENZIONE ATTENZIONE ATTENZIONE ATTENZIONE ATTENZIONE ATTENZIONE

Quando l'eccitatore è in funzione, e il coperchio superiore è stato rimosso, sono presenti pericolose tensioni sul selettore di tensione di linea AC e alte correnti sui terminali del filtro capacitivo del power supply e sui transistors di potenza.

Usare degli utensili isolati per qualsiasi tipo di taratura e non toccare alcun componente all'interno dell'eccitatore quando l'apparecchiatura è accesa.

Assicurarsi di disconnettere l'alimentazione dell'eccitatore prima di effettuare qualsiasi operazione di manutenzione.

PRIMO LIVELLO DI MANUTENZIONE

4.2 MANUTENZIONE ORDINARIA

L'unica manutenzione di cui necessita il TEX20-NV/S è la periodica sostituzione dei ventilatori e la pulizia da tracce di polvere eventualmente accumulate al suo interno.

Tale periodicità è funzione delle condizioni di funzionamento della macchina, temperatura ambiente, livello di polvere nell'aria, umidità.

Si consiglia di effettuare un controllo preventivo ad intervalli di 6 mesi e di sostituire le ventole che presentassero rumore o attriti eccessivi, e comunque di provvedere alla loro sostituzione non oltre i 18 mesi.

SECONDO LIVELLO DI MANUTENZIONE

4.3 SOSTITUZIONE DELLA SCHEDA STEREO CODER

- 1) Aprire il coperchio superiore e quello inferiore.
- 2) Disconnettere i connettori J1, J3 e J4.
- 3) Svitare i quattro dadi di fissaggio presenti sulla scheda.
- 4) Svitare la vite contenuta all'interno della manopola del INPUT LEVEL e sfilare la manopola.
- 5) Sollevare la scheda dai supporti sfilando contemporaneamente gli interruttori e il perno del commutatore (INPUT LEVEL) dal pannello principale.

4.4 SOSTITUZIONE DEL MODULO R.F. POWER AMPLIFIER

- 1) Aprire il coperchio superiore e quello inferiore.
- 2) Disconnettere il connettore CN1 della scheda "CON-PA", connesso con la scheda "Meter".

- 3) Svitare le tre viti di fissaggio poste nella parte inferiore del ripiano metallico interno.
- 4) Disconnettere il cavo schermato che collega il modulo R.F. Power Amplifier alla Main Card.
- 5) Sfilare il modulo R.F. Power Amplifier.

4.5 SOSTITUZIONE DELLA SCHEDA MAIN CARD

- 1) Aprire il coperchio superiore e quello inferiore.
- 2) Disconnettere i connettori CN1 e CN2.
- 3) Disconnettere il cavo schermato che collega la scheda Main Card con il modulo R.F. Power Amplifier.
- 4) Svitare i dadi di fissaggio della scheda.
- 5) Rimuovere la scheda verso l'alto con molta cautela.

4.6 SOSTITUZIONE DELLA SCHEDA AUDIO INPUT CARD

- 1) Aprire il coperchio superiore e quello inferiore.
- 2) Disconnettere i connettori CN6 e CN7. Per facilitare l'operazione disconnettere prima il connettore CN2 posto sulla scheda Main Card.
- 3) Svitare le due viti di fissaggio dei due connettori BNC1 e BNC2 situati sul pannello posteriore.
- 4) Svitare le due viti di fissaggio al pannello della morsettiera posta sul pannello posteriore.
- 5) Dissaldare i sei fili che collegano la scheda Audio Input Card con i due connettori audio RIGHT (Mono) e LEFT (MPX).
- 6) Sfilare la scheda.

4.7 SOSTITUZIONE DEL MODULO POWER SUPPLY

- 1) Aprire il coperchio superiore e quello inferiore.
- 2) Svitare le tre viti di fissaggio poste nella parte inferiore del piano metallico interno.
- 3) Disconnettere il connettore CN1 del Power Supply.
- 4) Annotare accuratamente la disposizione dei vari fili di collegamento (relativi colori).

- 5) Scollegare il faston REMOTE situato sull'alimentatore.
- 6) Annotare attentamente la posizione dei faston posti sui ponti di diodi.
- 7) Disconnettere i faston JP1 e JP2 situati sul ponte di diodi.
- 8) Sollevare con cautela il Power Supply.

4.8 SOSTITUZIONE DELLA SCHEDA METER

- 1) Aprire il coperchio superiore e il coperchio inferiore della macchina.
- 2) Svitare il dado contenuto all'interno del selettore di misura situato sul pannello frontale e il dado di fissaggio del selettore stesso.
- 3) Disconnettere i connettori CN1 e CN2 situati sulla scheda Meter_100.
- 4) Disconnettere i faston CN4 e CN5 e il jumper CN3.
- 5) Estrarre la scheda facendo attenzione ai vari led e regolatori.

4.8 SOSTITUZIONE DELLA SCHEDA "FREQUENCY SELECTOR"

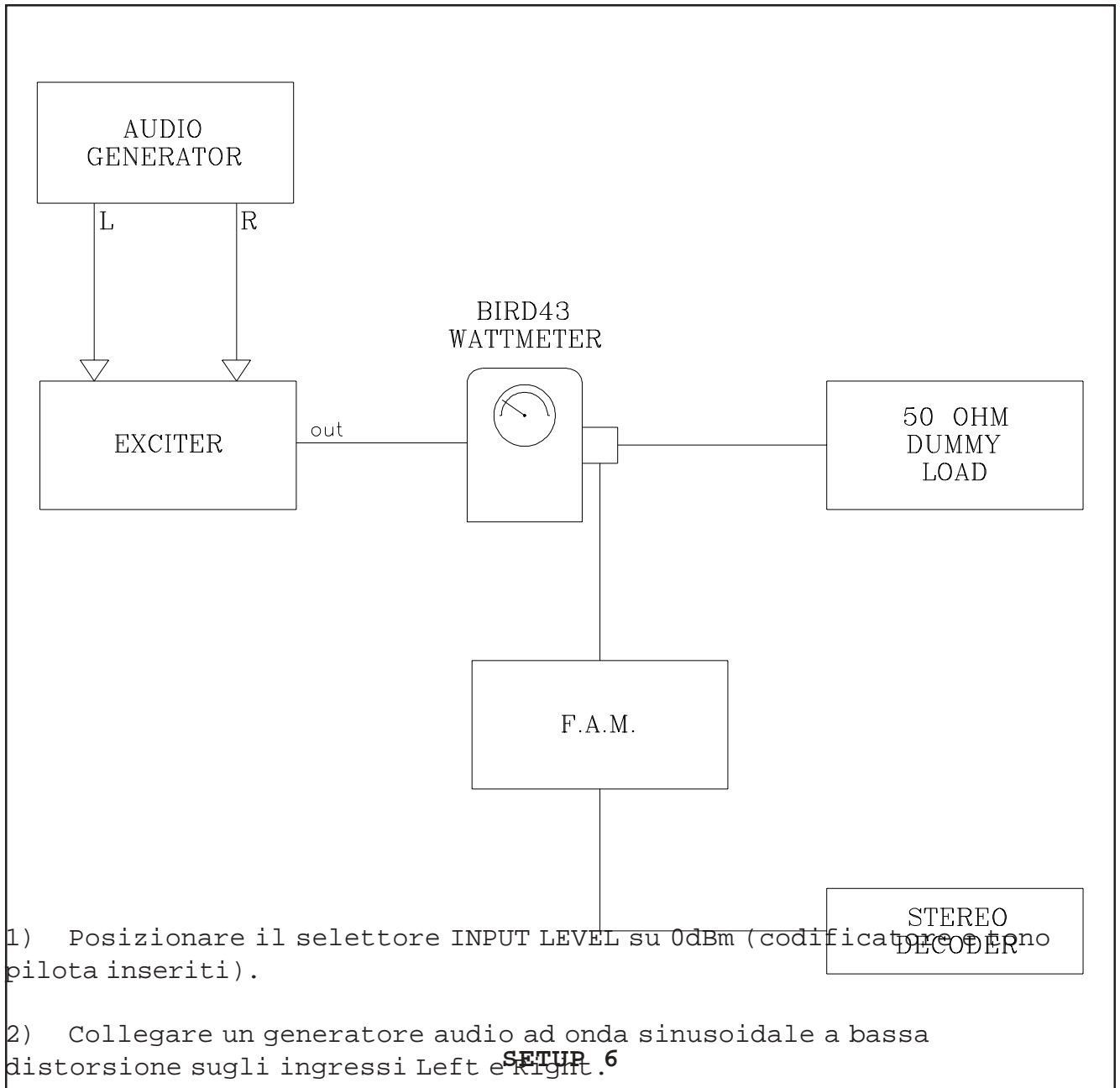
- 1) Aprire il coperchio superiore della macchina.
- 2) Disconnettere il connettore CN1 situato sulla scheda Contraves.
- 3) Svitare le due viti di fissaggio della scheda poste sul pannello frontale.
- 4) Estrarre la scheda con cautela.

CAPITOLO 5

OPERAZIONI DI TARATURA

5.1 TARATURA DELLO STEREO CODER

Dopo aver sostituito la scheda Stereo Coder è necessario verificare ed eventualmente ritardare i seguenti parametri (vedere SETUP5):



- 3) Collegare l'uscita R.F. del TEX20-NV/S ad un carico 50 Ohm e 25W.
- 4) Collegare il prelievo -30dB all'ingresso del FAM (o altro analizzatore di modulazione).
- 5) Collegare all'uscita posteriore FM-MPX del FAM uno stereo MEAS-Decoder.

- 6) Accendere il TEX20-NV/S e attendere l'aggancio del PLL.
- 7) Regolare il segnale audio in uscita dal generatore a 0dBm (2,2Vpp = 775mVrms, 400Hz).
- 8) Selezionare, tramite il selettore di misura, la lettura R. (MONO) ed eventualmente tarare P8 sulla scheda Coder per avere 0dB.
- 8A) Ripetere l'operazione per la lettura di L. (MPX) agendo su P7.
- 9) Verificare utilizzando il FAM in FM, P+ Mode e con un filtro audio da 30Hz-200KHz, che la deviazione sia di 75Khz, in caso contrario agire sul trimmer R35 posto sulla Main Card.
- 9A) Togliere il segnale audio su entrambi i canali, lasciando inserito il tono pilota, e verificare che sia presente una deviazione che può variare da 6,5KHz a 8KHz (tipicamente è 7,5 KHz). Se si vuole ritoccare questa taratura agire su P6.
- 10) Togliere il segnale audio da un canale, esempio Right (MPX).

N.B. Verificare che l'uscita del generatore sia rimasta inalterata a 0dBm.

Misurare ora la separazione sullo Stereo Meas-Decoder, che con un segnale audio a 400 Hz dovrà essere maggiore di 45 dB.
Ripetere l'operazione per il canale Left.
Nell'eventualità che la separazione sui due canali non sia equilibrata (è accettabile una differenza inferiore a 3dB), agire sul trimmer P4 della scheda Coder.

5.2 TARATURA DELLA SCHEDA MAIN CARD

Dopo aver inserito la scheda Main Card ed i relativi connettori procedere come segue (vedere SETUP6, nella pagina precedente):

- 1) Collegare un generatore audio all'ingresso Left.
- 2) Posizionare il selettore INPUT LEVEL su 0dBm (codificatore e tono pilota inseriti).
- 3) Collegare all'uscita R.F. un carico fittizio da 25W e 50 Ohm.
- 4) Collegare il FAM o altro analizzatore di modulazione al prelievo a "T.P. -30dB".
- 5) Collegare all'uscita posteriore del FAM "FM MPX" uno Stereo MEAS Decoder.
- 6) Inviare un tono a 400Hz 0dBm (775mVrms = 2,2Vpp) all'ingresso Left (o Right).

- 7) Predisporre il FAM per misura di deviazione con filtri "30Hz-200KHz/FM/P+" e verificare che la deviazione sia di 75KHz.
In caso contrario agire sul trimmer R35 per regolare la deviazione. Verificare che la deviazione si mantiene costante su tutta la banda, in caso contrario, agire sul trimmer R36 della Main card.
- 8) Togliere il tono pilota agendo sul pulsante e predisporre il FAM per misura di distorsione e tarare il trimmer R34 per la minima distorsione.

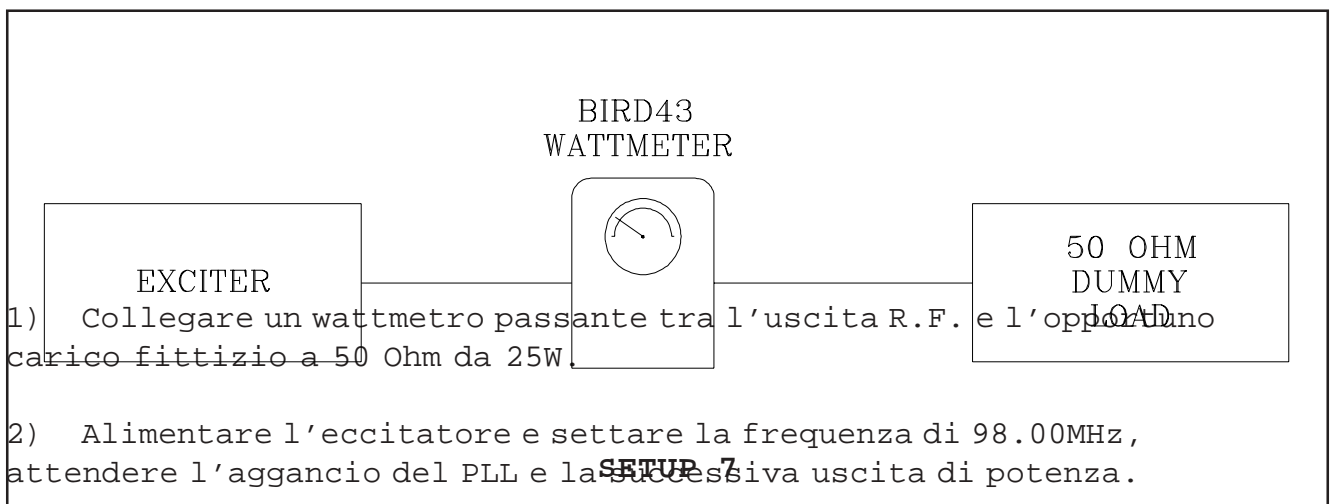
N.B. Il generatore audio usato in questi test deve avere una distorsione migliore di 0,001%.

Effettuare queste tarature sulla frequenza di lavoro dell'eccitatore.

- 9) Ripetere il punto (7).
- 10) Ripetere la stessa procedura dal punto (2) per l'ingresso Right.

5.3 TARATURA DEL MODULO R.F. POWER AMPLIFIER

Dopo la sostituzione dell'amplificatore eseguire le seguenti operazioni (SETUP7):



- 3) Ruotare in senso orario il trimmer PWR ADJ fino ad ottenere la massima potenza in uscita.
- 4) Leggere sul wattmetro esterno la potenza in uscita, se questa non fosse 20 W, ritarare il trimmer R1 sulla scheda Power Supply per ottenere i 20 W.
- 5) Verificare la lettura sullo strumento del TEX20-NV/S selezionando con il selettore la lettura di PWR FWD, nel caso non indicasse 20W

agire sul trimmer R8 posto sulla scheda "Meter".

6) Disconnettere il carico fittizio dall'uscita del trasmettitore, constatare una riduzione di potenza a circa 8W e l'accensione della spia SWR.

Collegare un voltmetro tra i morsetti PD e massa, successivamente tra PR e massa della telemetria sul pannello posteriore e tarare sulla scheda dell'alimentatore fino ad avere $0 \pm 0,1V$. R2

7) Ruotare in senso antiorario il trimmer PWR ADJ fino a leggere sulla scala FWD PWR 25W, selezionare tramite il comando la lettura della PWR REF.

Tarare R7 sulla "Meter" per avere una lettura di 25W f.s..

8) Ricollegare il carico fittizio, ruotare in senso orario il trimmer PWR ADJ e verificare che la potenza d'uscita sia nuovamente 20W.

5.4 TARATURA DEL MODULO POWER SUPPLY

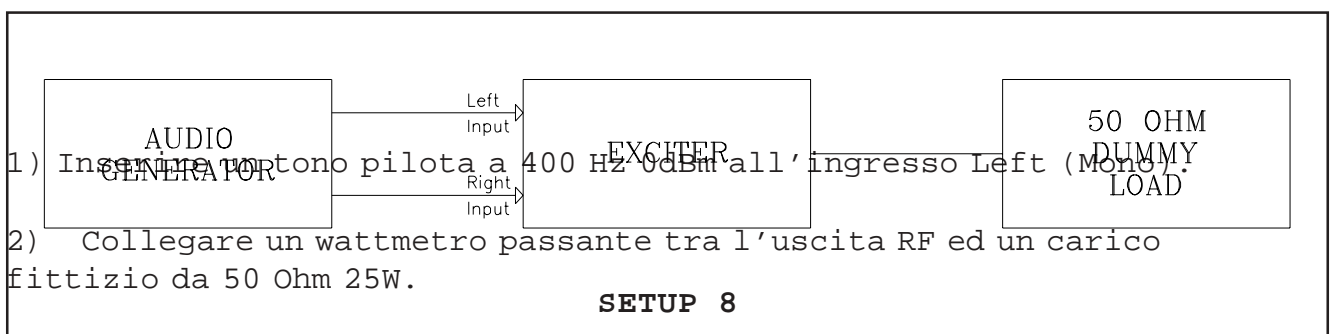
Le uniche regolazioni da effettuare dopo la sostituzione del Power Supply sono le stesse che si hanno nel caso di sostituzione del modulo R.F. Power Amplifier e seguire i punti da (1) a (8).

5.5 TARATURA DELLA AUDIO INPUT CARD

Non sono necessarie tarature dopo la sostituzione di questa scheda.

5.6 TARATURA DELLA SCHEDA "METER"

Dopo la sostituzione delle schede è necessario verificare la taratura in tutte le posizioni del comando "Meter Selector" (SETUP8):



3) Regolare la potenza d'uscita a 15 W.

4) Selezionare tramite il selettore le varie misure, verificare ed

eventualmente tarare secondo la seguente tabella:

MISURA	VALORE	F. S.	TRIMMER	NOTE
R (MONO)	0dB	+3dB	R6	
L (MPX)	0dB	+3dB	R5	
FWD PWR	20W	25W	R8	
REF PWR	10W	25W	R7	a
DEV	VAR	100KHz	R4	

NOTE:

a) Scollegare il carico solo per questa misura e regolare PWR ADJ per 10W di potenza diretta.

5) Ripetere le stesse operazioni per l'ingresso Right (MPX).

5.7 TARATURA DELLA SCHEDA "FREQUENCY SELECTOR"

Non sono necessarie tarature dopo la sostituzione di questa scheda.

APPENDIX A
CIRCUIT
DIAGRAMS, LAYOUTS AND BILLS OF MATERIAL

This section contains circuit diagrams, layouts and bills of material of the modules which composing the equipment.
For more information about each module see as reference Section 2.

APPENDICE A
SCHEMI
ELETRICI, PIANI DI MONTAGGIO E LISTE COMPONENTI

Questo capitolo contiene gli schemi elettrici, i piani di montaggio e le liste componenti delle schede che compongono la macchina.
Per ulteriori informazioni riguardanti le singole schede vedere come riferimento il Capitolo 2.

WIRING DIAGRAM

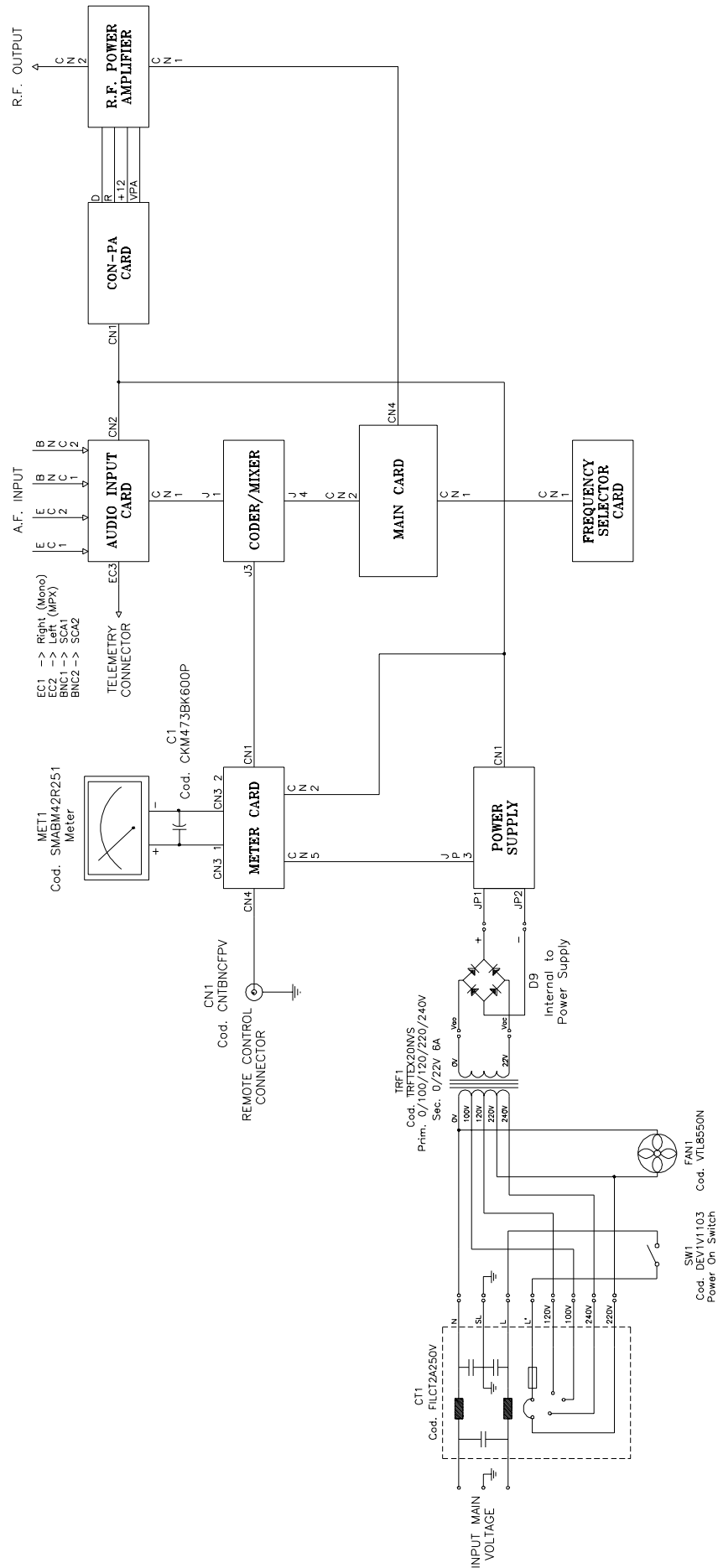
1 *Exciter Wiring Diagram*

Pag. 85

DIAGRAMMI DI CONNESSIONE

1 *Diagramma di Connessione dell'eccitatore.*

Pag. 85



EXCITER WIRING DIAGRAM
DIAGRAMMA DELLE CONNESSIONI DELL'ECCITATORE

MAIN CARD

- 1 V.C.O. & Driver Section Circuit Diagram
Pag. 87

- 2 V.C.O. & Driver Section Bill of Materials
Pag. 88

- 3 Audio Section Circuit Diagram
Pag. 91

- 4 Audio Section Bill of Materials Pag. 92

- 5 Synthesis Section Circuit Diagram
Pag. 94

- 6 Synthesis Section Bill of Material
Pag. 95

- 7 Main Card Layout Pag. 98

MAIN CARD

- 1 Schema Elettrico della Sezione V.C.O. & Driver
Pag. 87

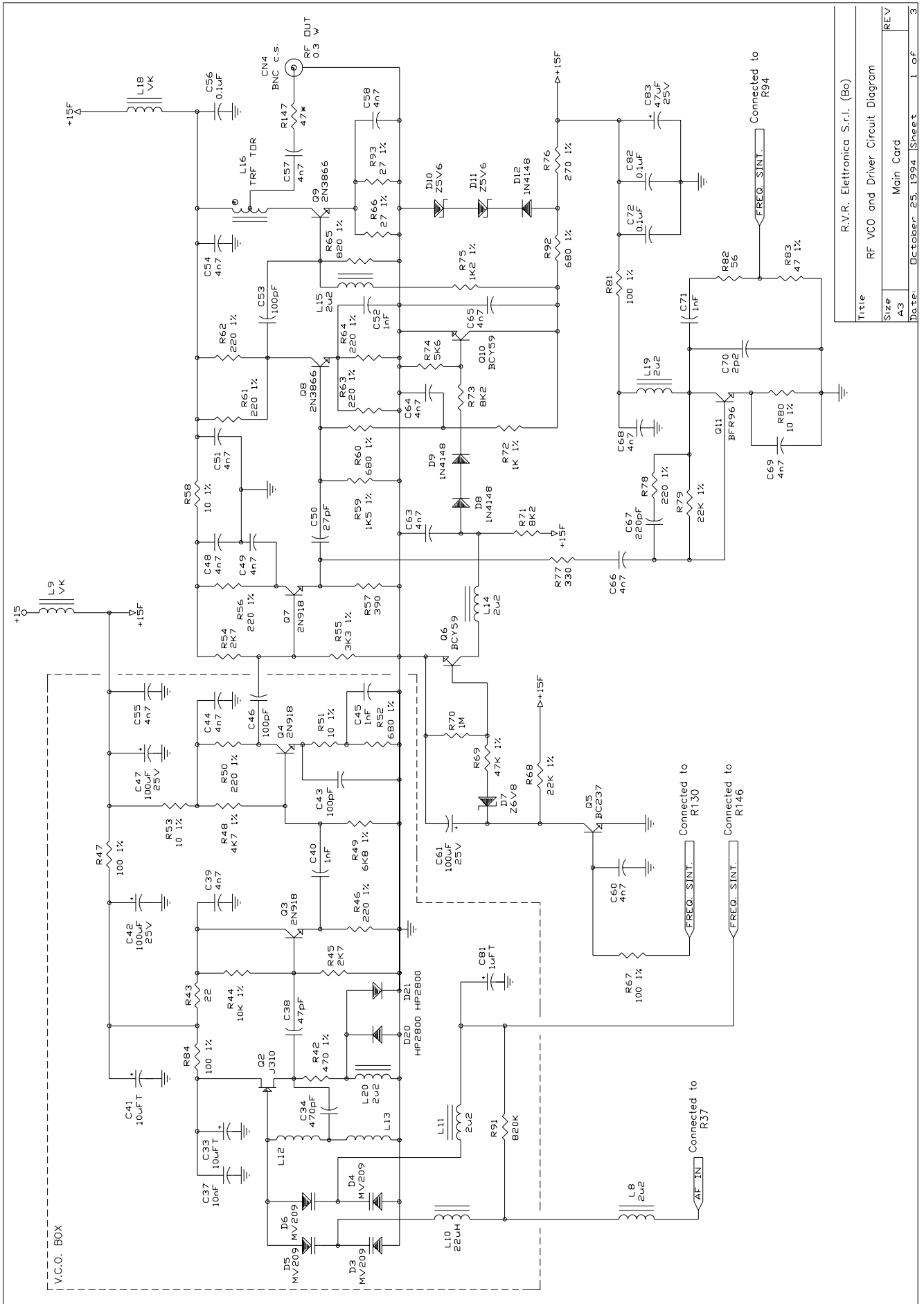
- 2 Lista dei Componenti della Sezione V.C.O & Driver
Pag. 88

- 3 Schema Elettrico della Sezione Audio
Pag. 91

- 4 Lista dei Componenti della Sezione Audio
Pag. 92

- 5 Schema Elettrico della Sezione Sintesi
Pag. 94

- 6 Lista dei Componenti della Sezione Sintesi
Pag. 95

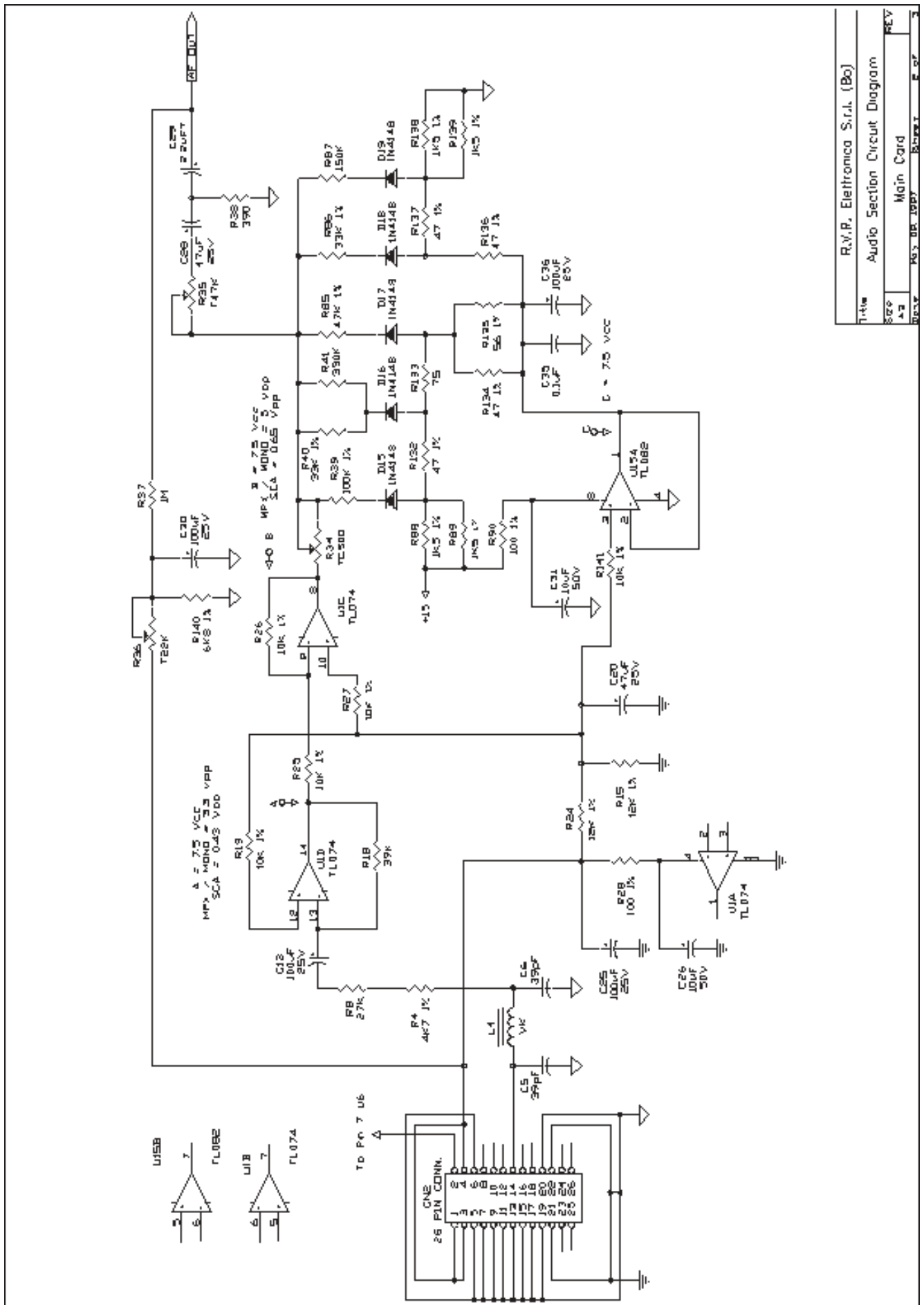


Title		R.V.R. Elettronica S.r.l. (Bo)	
Size	A3	Main Card	REV
Date:	October 25, 1994	Sheet	1 of 3

Item	Quantity	Reference Part	Description	Part Order Code
1	4	R51,R53, 10 1% R58,R80	RESISTOR 1/4W 1%	RSM1/4FH0010
2	1	R43 22	RESISTOR 1/4W 5%	RSC1/4JH0022
3	2	R66,R93 27 1%	RESISTOR 1/4W 1%	RSM1/4FH0027
4	1	R83 47 1%	RESISTOR 1/4W 1%	RSM1/4FH0047
5	1	R147 47*	RESISTOR 1/2W 5%	RSC1/2JH0047
6	1	R82 56	RESISTOR 1/4W 5%	RSC1/4JH0056
7	4	R47,R67, 100 1% R81,R84	RESISTOR 1/4W 1%	RSM1/4FH0100
8	8	R46,R50, 220 1% R56,R61, R62,R63, R64,R78	RESISTOR 1/4W 1%	RSM1/4FH0220
9	1	R76 270 1%	RESISTOR 1/4W 1%	RSM1/4FH0270
10	1	R77 330	RESISTOR 1/4W 5%	RSC1/4JH0330
11	1	R57 390	RESISTOR 1/4W 5%	RSC1/4JH0390
12	1	R42 470 1%	RESISTOR 1/4W 1%	RSM1/4FH0470
13	3	R52,R60,R92 680 1%	RESISTOR 1/4W 1%	RSM1/4FH0680
14	1	R65 820 1%	RESISTOR 1/4W 1%	RSM1/4FH0820
15	1	R72 1K 1%	RESISTOR 1/4W 1%	RSM1/4FK0001
16	1	R75 1K2 1%	RESISTOR 1/4W 1%	RSM1/4FK01,2
17	1	R59 1K5 1%	RESISTOR 1/4W 1%	RSC1/4FK01,5
18	2	R45,R54 2K7	RESISTOR 1/4W 5%	RSC1/4JK02,7
19	1	R55 3K3 1%	RESISTOR 1/4W 1%	RSM1/4FK03,3
20	1	R48 4K7 1%	RESISTOR 1/4W 1%	RSM1/4FK04,7
21	1	R74 5K6	RESISTOR 1/4W 5%	RSC1/4JK05,6
22	1	R49 6K8 1%	RESISTOR 1/4W 1%	RSM1/4FK06,8
23	2	R71,R73 8K2	RESISTOR 1/4W 5%	RSC1/4JK08,2
24	1	R44 10K 1%	RESISTOR 1/4W 1%	RSM1/4FK0010
25	2	R68,R79 22K 1%	RESISTOR 1/4W 1%	RSM1/4FK0022
26	1	R69 47K 1%	RESISTOR 1/4W 1%	RSM1/4FK0047
27	1	R91 820K	RESISTOR 1/4W 5%	RSC1/4JK0820

Item	Quantity	Reference Part	Description	Part Order Code
28	1	R70 1M	RESISTOR 1/4W 5%	RSC1/4JM0001
29	1	C70 2p2	CERAMIC CAPACITOR NP0	CKM2,2BJ600C
30	1	C50 27pF	CERAMIC CAPACITOR NP0	CKM270BJ600C
31	1	C38 47pF	CERAMIC CAPACITOR NP0	CKM470BJ600C
32	3	C43,C46,C53 100pF	CERAMIC CAPACITOR NP0	CKM101BJ600C
33	1	C67 220pF	CERAMIC CAPACITOR NP0	CKM221BK600C
34	1	C34 470pF	CERAMIC CAPACITOR	CKM471BK600P
35	4	C40,C45, 1nF C52,C71	CERAMIC CAPACITOR	CKM102BK600P
36	16	C39,C44, 4n7 C48,C49, C51,C54, C55,C57, C58,C60, C63,C64, C65,C66, C68,C69	CERAMIC CAPACITOR	CKM472BK600P
37	1	C37 10nF	CERAMIC CAPACITOR	CKM103BK600P
38	3	C56,C72,C82 0.1µF	CERAMIC CAPACITOR	CKM104BK600P
39	1	C81 1µFT	TANTALIUM CAPACITOR	CET105AM350
40	2	C33,C41 10µFT	TANTALIUM CAPACITOR	CET106AM350
41	1	C83 47µF	ELECTROLYTIC CAPACITOR	CEA476BM630
42	3	C42,C47,C61 100µF	ELECTROLYTIC CAPACITOR	CEA107BM350
43	6	L8,L11,L14, 2µ2 L15,L19,L20	RF CHOKE	IMP02U2A
44	1	L10 22µH	RF CHOKE	IMP22U0A
45	2	L9,L18 VK	RF CHOKE	IMPVK00A
46	2	L12,L13 IND COAX	COAX 75 OHM 9 CM	CAVRG179
47	1	L16 TOROIDE	TOROIDE DIA. 10 MM FTR10N	
48	1	CN4 BNC C.S.	CONN. BNC A STAMPATO	CNTBNCFCSO
49	3	D8,D9,D12 1N4148	SILICON DIODE	DIS1N4148
50	2	D20,D21 HP2800	HOT CARRIER DIODE	DHCBA481
51	4	D3,D4,D5,D6 MV209	VARICAP DIODE	DIVMV209
52	2	D10,D11 Z5V6	ZENER DIODE 5.6V 0.4W	DIZ5V60W4

Item	Quantity	Reference Part	Description	Part Order Code
53	1	D7 Z6V8	ZENER DIODE 6.8V 0.4W	DIZ6V80W4
54	1	Q5 BC237	NPN TRANSISTOR	TRNBC237
55	2	Q6, Q10 BCY59	NPN TRANSISTOR	TRNBCY59
56	3	Q3, Q4, Q7 2N918	NPN RF TRANSISTOR	TRN2N918
57	1	Q11 BFR96	NPN RF TRANSISTOR	TRNBFR96
58	2	Q8, Q9 2N3866	RF POWER TRANSISTOR	TRN2N3866
59	1	Q2 J310	FET TRANSISTOR	TRNJ310

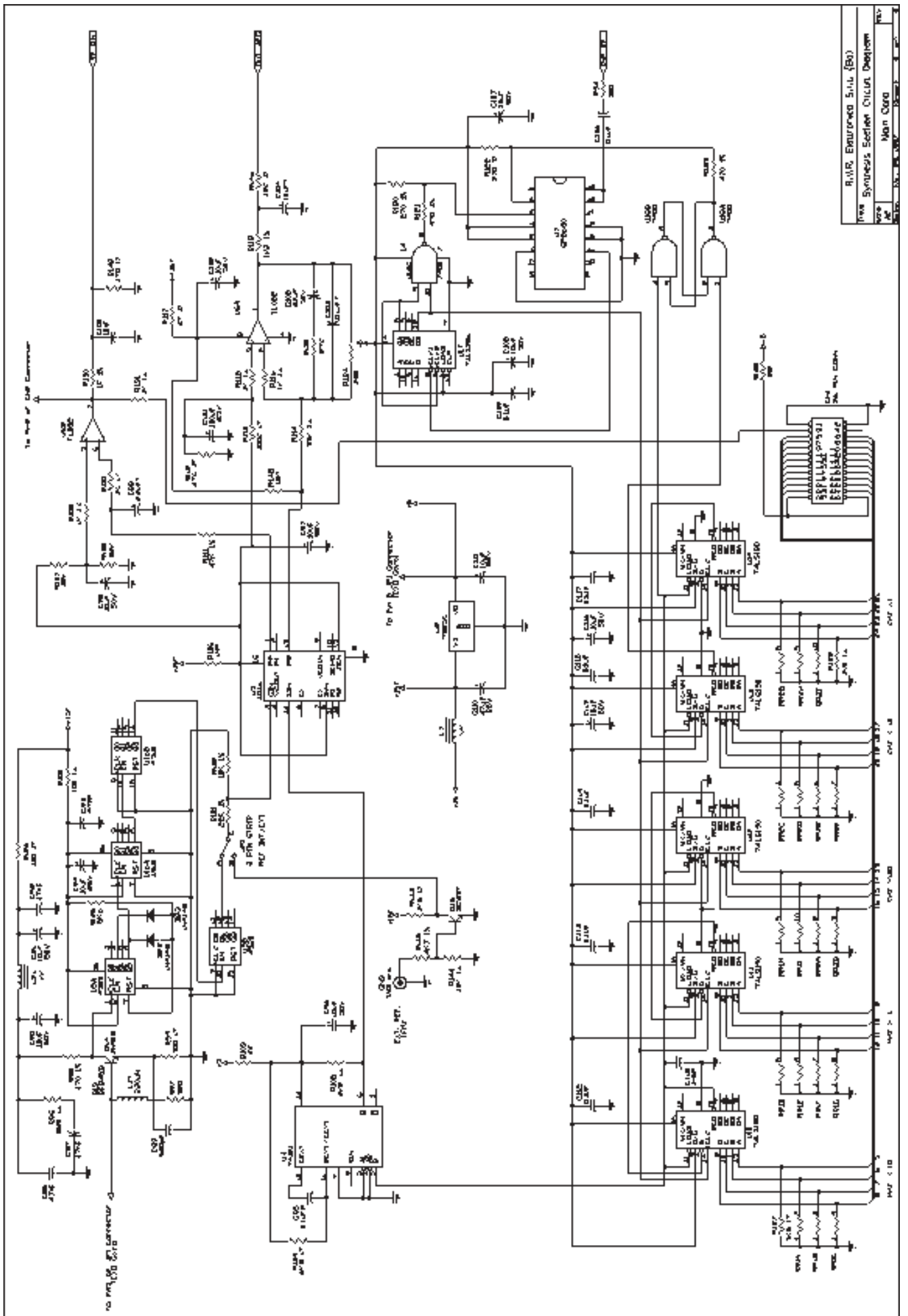


R.V.R. Elettronica S.r.l. (Bo)	
Title	Audio Section Circuit Diagram
Scale	Main Card
Rev	REV
Page	8 of 8

Audio Section		Bill of Materials/Lista Componenti			Pag. 1
Item	Quantity	Reference Part	Description	Part Order Code	
1	4	R132,R134, R136,R137	47 1% RESISTOR 1/4W 1%	RSM1/4FH0047	
2	1	R135	56 1% RESISTOR 1/4W 1%	RSM1/4FH0056	
3	1	R133	75 RESISTOR 1/4W 5%	RSC1/4JH0075	
4	2	R28,R90	100 1% RESISTOR 1/4W 1%	RSM1/4FH0100	
5	1	R38	390 RESISTOR 1/4W 5%	RSC1/4JH0390	
6	4	R88,R89, R138,R139	1K5 1% RESISTOR 1/4W 1%	RSC1/4FK01,5	
7	1	R4	4K7 1% RESISTOR 1/4W 1%	RSM1/4FK04,7	
8	1	R140	6K8 1% RESISTOR 1/4W 1%	RSM1/4FK06,8	
9	5	R19,R25, R26,R27,R141	10K 1% RESISTOR 1/4W 1%	RSM1/4FK0010	
10	2	R15,R24	12K 1% RESISTOR 1/4W 1%	RSM1/4FK0012	
11	1	R8	27K RESISTOR 1/4W 5%	RSC1/4JK0027	
12	2	R40,R86	33K 1% RESISTOR 1/4W 1%	RSM1/4FK0033	
13	1	R18	39K RESISTOR 1/4W 5%	RSC1/4JK0039	
14	1	R85	47K 1% RESISTOR 1/4W 1%	RSM1/4FK0047	
15	1	R39	100K 1% RESISTOR 1/4W 1%	RSM1/4FH0100	
16	1	R87	150K RESISTOR 1/4W 5%	RSC1/4JK0150	
17	1	R41	330K RESISTOR 1/4W 5%	RSC1/4JK0330	
18	1	R37	1M RESISTOR 1/4W 5%	RSC1/4JM0001	
19	1	R34	TC500 TRIM. REG. VERT. CERMET	RVTCERVH0500	
20	1	R36	T22K TRIM. REG. VERT. 10mm	RVTD10VK0022	
21	1	R35	T47K TRIM. REG. VERT. 10mm	RVTD10VK0047	
22	2	C5,C6	39pF CERAMIC CAPACITOR NP0	CKM390BJ600C	
23	1	C35	0.1µF CERAMIC CAPACITOR	CKM104BK600P	
24	1	C29	2.2µFT TANTALIUM CAPACITOR	CET225AM350	
25	2	C26,C31	10µF ELECTROLYTIC CAPACITOR	CEA106AM350	
26	2	C20,C28	47µF ELECTROLYTIC CAPACITOR	CEA476BM630	
27	4	C13,C25, C30,C36	100µF ELECTROLYTIC CAPACITOR	CEA107BM350	

Audio Section Bill of Materials/Lista Componenti Pag. 2

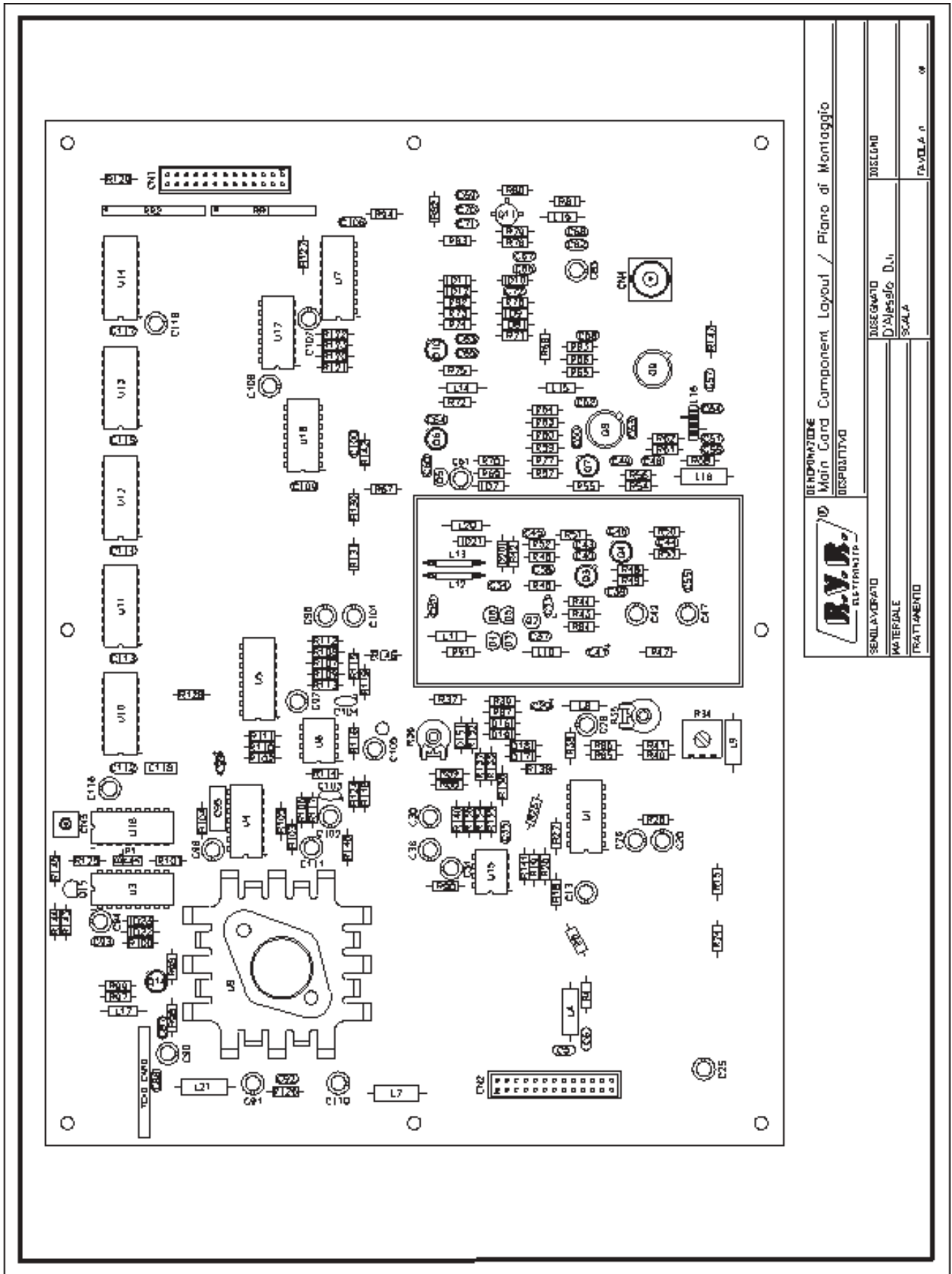
Item	Quantity	Reference Part	Description	Part Order Code
28	1	L4 VK	RF CHOKE	IMPVK00A
29	1	CN2 26P	CONN. M 2*13 P 2.54	CNTMCSFC26P
30	5	D15,D16, 1N4148 D17,D18,D19	SILICON DIODE	DIS1N4148
31	1	U15 TL082	DOUBLE OP. AMP.	CILTTL082
32	1	U1 TL074	QUAD OP. AMP.	CILTTL074



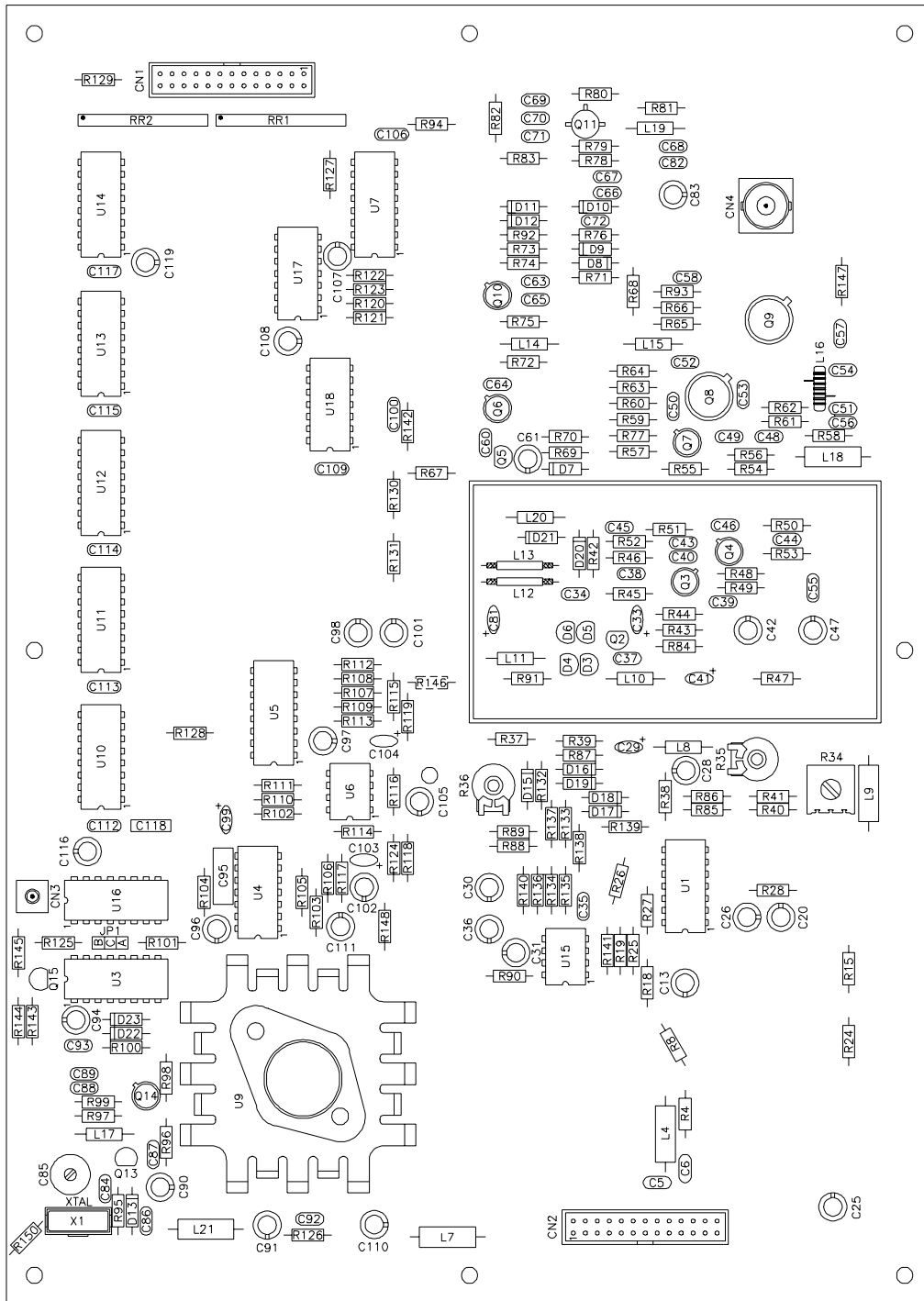
Item	Quantity	Reference Part	Description	Part Order Code
1	2	R103,R128 22	RESISTOR 1/4W 5%	RSC1/4JH0022
2	1	R117 27 1%	RESISTOR 1/4W 1%	RSM1/4FH0027
3	3	R99,R100, 100 1% R126	RESISTOR 1/4W 1%	RSM1/4FH0100
4	1	R94 180	RESISTOR 1/4W 5%	RSC1/4JH0180
5	2	R120,R122 270 1%	RESISTOR 1/4W 1%	RSM1/4FH0270
6	1	R97 390	RESISTOR 1/4W 5%	RSC1/4JH0390
7	4	R98,R121, 470 1% R123,R142	RESISTOR 1/4W 1%	RSM1/4FH0470
8	1	R96 820 1%	RESISTOR 1/4W 1%	RSM1/4FH0820
9	6	R109,R110, 1K 1% R115,R116, R130,R131	RESISTOR 1/4W 1%	RSM1/4FK0001
10	1	R119 1K2 1%	RESISTOR 1/4W 1%	RSM1/4FK01,2
11	3	R127,R129, 1K5 1% R143	RESISTOR 1/4W 1%	RSC1/4FK01,5
12	1	R105 2K2 1%	RESISTOR 1/4W 1%	RSC1/4FK02,2
13	1	R145 4K7 1%	RESISTOR 1/4W 1%	RSM1/4FK04,7
14	1	R125 5K6	RESISTOR 1/4W 5%	RSC1/4JK05,6
15	1	R104 6K8 1%	RESISTOR 1/4W 1%	RSM1/4FK06,8
16	2	R102,R144 10K 1%	RESISTOR 1/4W 1%	RSM1/4FK0010
17	1	R146 12K 1%	RESISTOR 1/4W 1%	RSM1/4FK0012
18	1	R101 22K 1%	RESISTOR 1/4W 1%	RSM1/4FK0022
19	1	R118 27K	RESISTOR 1/4W 5%	RSC1/4JK0027
20	1	R114 33K 1%	RESISTOR 1/4W 1%	RSM1/4FK0033
21	1	R107 39K	RESISTOR 1/4W 5%	RSC1/4JK0039
22	2	R111,R112 47K 1%	RESISTOR 1/4W 1%	RSM1/4FK0047
23	1	R108 82K	RESISTOR 1/4W 5%	RSC1/4JK0082
24	1	R113 100K 1%	RESISTOR 1/4W 1%	RSM1/4FH0100
25	1	R124 1M8	RESISTOR 1/4W 5%	RSC1/4JM01,8
26	1	R106 1M9	RESISTOR 1/4W 5%	RSC1/4JM01,9
27	1	R148 10M	RESISTOR 1/4W 5%	RSC1/4JM0010

Item	Quantity	Reference Part	Description	Part Order Code	
28	2	RR1,RR2	RR1K5	RESISTOR NETWORK	RRR1/4JK01,5
29	1	C118	1n5P	POLIESTER CAPACITOR	CPE152BK101
30	1	C100	10nF	CERAMIC CAPACITOR	CKM103BK600P
31	4	C86,C87, C92,C93	47nF	CERAMIC CAPACITOR	CKM473BK600P
32	7	C106,C109, C112,C113, C114,C115, C117	0.1µF	CERAMIC CAPACITOR	CKM104BK600P
33	1	C95	0.1µFP	POLIESTER CAPACITOR	CPE104DK101
34	1	C103	0.1µFT	TANTALIUM CAPACITOR	CET104AM350
35	1	C99	2.2µFT	TANTALIUM CAPACITOR	CET225AM350
36	12	C90,C91, C94,C96,C97, C98,C102, C107,C108, C111,C116, C119	10µF	ELECTROLYTIC CAPACITOR	CEA106AM350
37	1	C104	10µFT	TANTALIUM CAPACITOR	CET106AM350
38	1	C105	22µF	ELECTROLYTIC CAPACITOR	CEA226BM350
39	1	C110	47µF	ELECTROLYTIC CAPACITOR	CEA476BM630
40	1	C101	100µF	ELECTROLYTIC CAPACITOR	CEA107BM350
41	1	L17	220µH	RF CHOKE	IMP220UA
42	2	L7,L21	VK	RF CHOKE	IMPVK00A
43	1	JP1	3 PIN STRIP	STRIP M P 2.54 3 PIN	CNTSTRIPMCS
44	1	J1	2 PIN JUMP	MINIJUMPER P 2.54	MINIJUMPER
45	1	CN1	26 P CONN.	CONN. M 2*13 P 2.54	CNTMCSFC26P
46	1	CN3	SMB C.S.	CONN. SMB A STAMPATO	CNTSMBMCS
47	2	D22,D23	1N4148	SILICON DIODE	DIS1N4148
48	1	U9	7805K	POS. STABILIZER 1.5A	CIL7805K
49	1	Q15	BC237	NPN TRANSISTOR	TRNBC237
50	1	Q14	2N918	NPN RF TRANSISTOR	TRN2N918
51	1	U6	TL082	DOUBLE OP. AMP.	CILT082
52	1	U7	SP8680	ECL DIVIDER	CIDSP8680B

Item	Quantity	Reference Part	Description	Part Order Code
53	1 U5	4046	CMOS PHASE COMPARATOR	CID4046
54	1 U16	4518	CMOS BCD DIVIDER	CID4518
55	1 U3	4520	CMOS BIN DIVIDER	CID4520
56	1 U18	7400	TTL QUAD NAND	CID7400
57	1 U4	74121	TTL MONOSTABLE	CID74121
58	5 U10,U11, U12,U13,U14	74LS190	TTL BCD DIVIDER	CID74LS190
59	1 U17	74LS196	TTL LS DIVIDER	CID74LS196



		IDENTIFICAZIONE Main Card Component Layout / Piano di Montaggio DISPOSITIVO	
SENZA LAVORATO	INSEGNATO D'Alessio D. A.	DISCIPLINA SCALA	
MATERIALE	TRATTAMENTO	INSEGNATO D'Alessio D. A.	PAGELLA n. 09



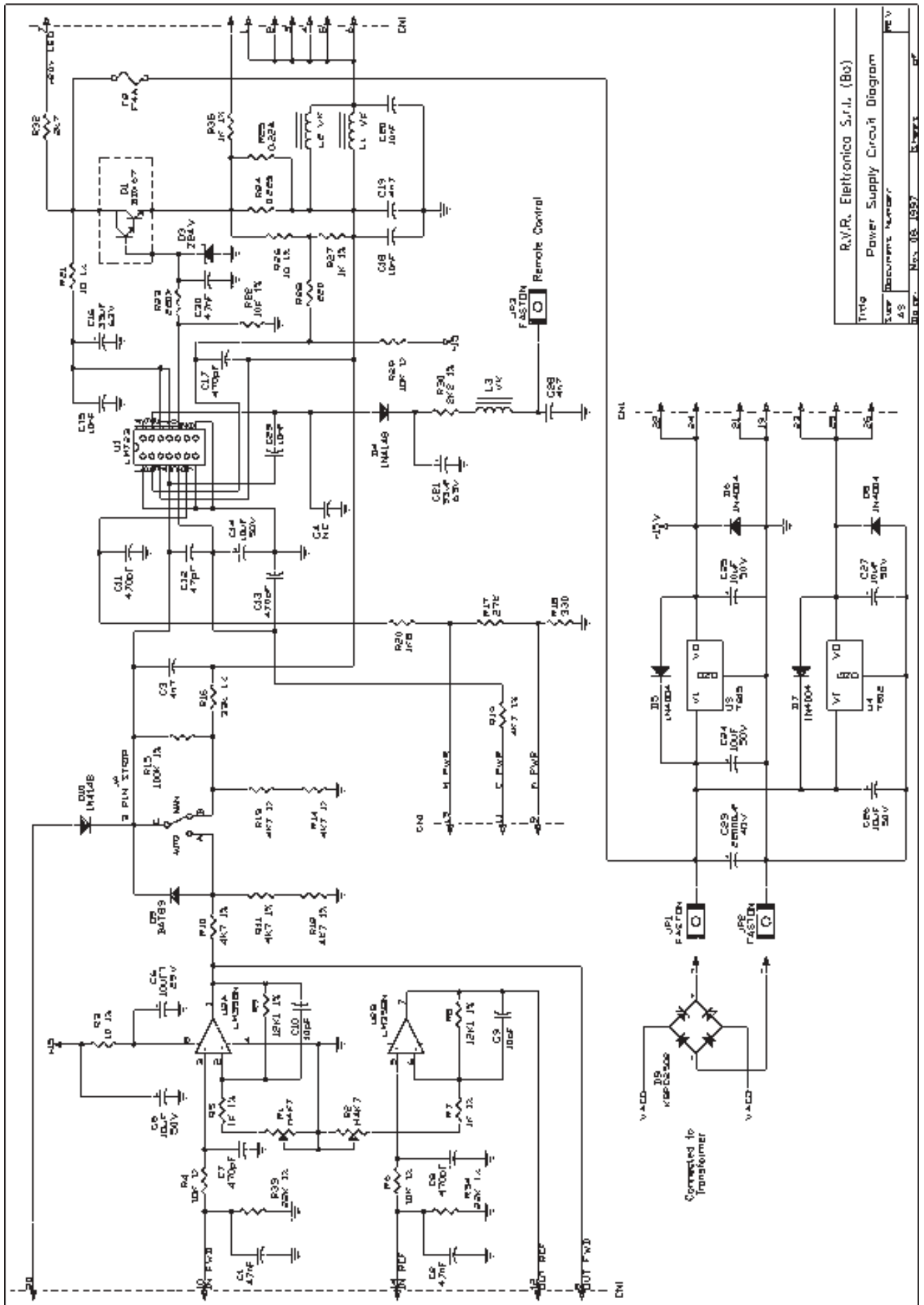
DENOMINAZIONE Main Card Component Layout / Piano di Montaggio	
DISPOSITIVO	
DISEGNATO D'Alessio D.ii	DISEGNO
MATERIALE SCALA	TAVOLA n. di

POWER SUPPLY

<u>1</u>	<u>Circuit Diagram</u>	<u>Pag. 100</u>
<u>2</u>	<u>Bill of Materials</u>	<u>Pag. 101</u>
<u>3</u>	<u>Layout</u>	<u>Pag. 103</u>

POWER SUPPLY

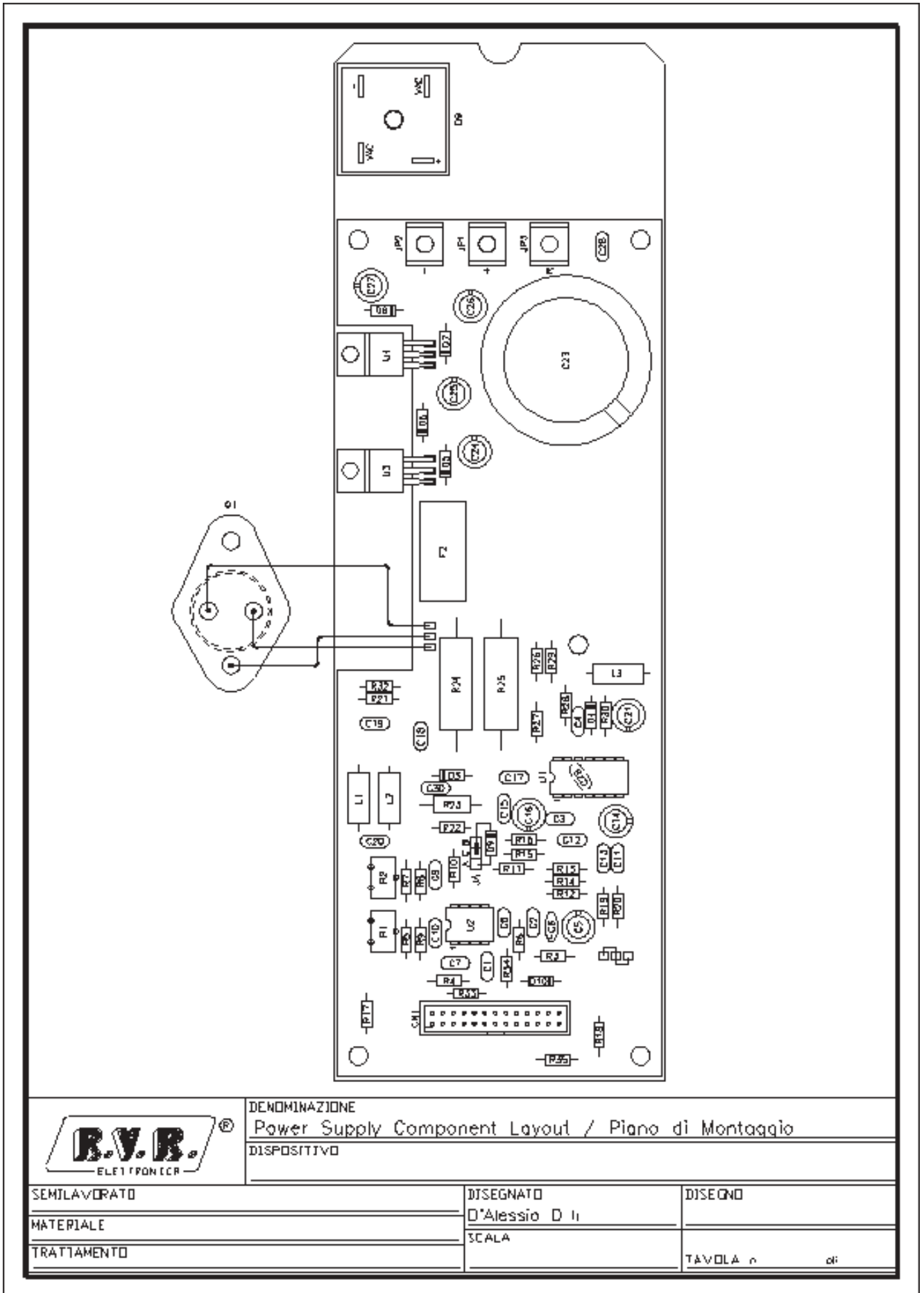
<u>1</u>	<u>Schema Elettrico</u>	<u>Pag. 100</u>
<u>2</u>	<u>Lista dei Componenti</u>	<u>Pag. 101</u>
<u>3</u>	<u>Piano di Montaggio</u>	<u>Pag. 103</u>



R.V.R. Elettronica S.r.l. (Bo)	
Title Power Supply Circuit Diagram	
Sup. Document Number	REV
Doc. No. 05-1997	Rev. 01

Item	Quantity	Reference Part	Description	Part Order Code
1	2	R24,R25 0.22\$	RESISTOR 5W	RAF005JH0,22
2	3	R3,R21,R26 10 1%	RESISTOR 1/4W 1%	RSM1/4FH0010
3	1	R28 220	RESISTOR 1/4W 5%	RSC1/4JH0220
4	1	R23 220*	RESISTOR 1/2W 5%	RSC1/2JH0220
5	1	R18 330	RESISTOR 1/4W 5%	RSC1/4JH0330
6	4	R5,R7,R27, R35 1K 1%	RESISTOR 1/4W 1%	RSM1/4FK0001
7	1	R20 1K8	RESISTOR 1/4W 5%	RSC1/4JK01,8
8	1	R30 2K2 1%	RESISTOR 1/4W 1%	RSC1/4FK02,2
9	1	R32 2K7	RESISTOR 1/4W 5%	RSC1/4JK02,7
10	6	R10,R11, R12,R13, R14,R19 4K7 1%	RESISTOR 1/4W 1%	RSM1/4FK04,7
11	4	R4,R6,R22, R29 10K 1%	RESISTOR 1/4W 1%	RSM1/4FK0010
12	2	R8,R9 12K1 1%	RESISTOR 1/4W 1%	RSM1/4FK12,1
13	2	R33,R34 22K 1%	RESISTOR 1/4W 1%	RSM1/4FK0022
14	1	R17 27K	RESISTOR 1/4W 5%	RSC1/4JK0027
15	1	R16 33K 1%	RESISTOR 1/4W 1%	RSM1/4FK0033
16	1	R15 100K 1%	RESISTOR 1/4W 1%	RSM1/4FH0100
17	2	R1,R2 H4K7	TRIM. REG. ORIZZ. 10mm	RVTD100K04,7
18	2	C9,C10 10pF	CERAMIC CAPACITOR NP0	CKM100BJ600C
19	1	C12 47pF	CERAMIC CAPACITOR NP0	CKM470BJ600C
20	5	C7,C8,C11, C13,C17 470pF	CERAMIC CAPACITOR	CKM471BK600P
21	1	C4 1nF	CERAMIC CAPACITOR	CKM102BK600P
22	3	C3,C19,C28 4n7	CERAMIC CAPACITOR	CKM472BK600P
23	4	C15,C18, C20,C29 10nF	CERAMIC CAPACITOR	CKM103BK600P
24	3	C1,C2,C30 47nF	CERAMIC CAPACITOR	CKM473BK600P
25	6	C5,C14,C24, C25,C26,C27 10µF	ELECTROLYTIC CAPACITOR	CEA106AM350
26	1	C6 10µFT	TANTALIUM CAPACITOR	CET106AM350

Item	Quantity	Reference Part	Description	Part Order Code
27	2	C16,C21	33 μ F ELECTROLYTIC CAPACITOR	CEA336BM350
28	1	C23	22000 μ F ELECTROLYTIC CAPACITOR	CEA229PM630
29	3	L1,L2,L3	VK RF CHOKE	IMPVK00A
30	1	F2	F4A FAST FUSIBLE	FUS5X20RP4
31	1	PF1	PFS520CS PORTA FUSIBILE 5*20 CS	PFS5X20CS
32	1	JA	3 PIN STRIP STRIP M P 2.54 3 PIN	CNTSTRIPMCS
33	3	JP1,JP2,JP3	FASTON CONN. FASTON M C.S.	CNTFSTMCSGR
34	2	J1,J2	2 PIN JUMP MINIJUMPER P 2.54	MINIJUMPER
35	1	CN1	26 P CONN. CONN. M 2*13 P 2.54	CNTMCSFC26P
36	2	D4,D10	1N4148 SILICON DIODE	DIS1N4148
37	1	D9	BAT83 HOT CARRIER DIODE	DHCBAT83
38	4	D5,D6,D7,D8	1N4004 SILICON DIODE 400V	DIS1N4004
39	1	D9	KBPC2502 DIODE BRIDGE 25A	PNRKBPC2502
40	1	D3	Z24V ZENER DIODE 24V 0.4W	DIZ24V0W4
41	1	U4	7812 POS. STABILIZER 1A	CIL7812P
42	1	U3	7815 POS. STABILIZER 1A	CIL7815P
43	1	U1	LM723 VAR. STABILIZER 100mA	CILLM723
44	1	Q1	BDX67 POWER TRANSISTOR	TRNBDX67
45	1	U2	LM358N DOUBLE OP. AMP.	CILLM358N



DENOMINAZIONE
 Power Supply Component Layout / Piano di Montaggio
 DISPOSITIVO

SEMILAVORATO

MATERIALE

TRATTAMENTO

DISEGNATO
 D'Alessio D. I.

SCALA

DISIGNO

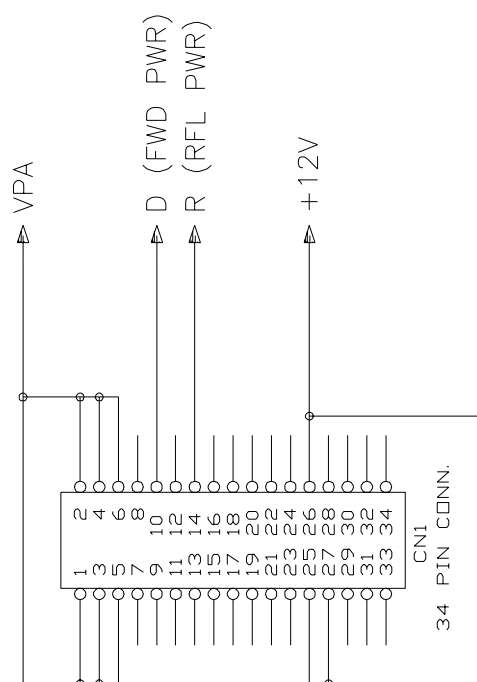
TAVOLA n di

CON-PA CARD

- | | | |
|----------|--------------------------|-----------------|
| <u>1</u> | <u>Circuit Diagram</u> | <u>Pag. 105</u> |
| <u>2</u> | <u>Bill of Materials</u> | <u>Pag. 106</u> |
| <u>3</u> | <u>Layout</u> | <u>Pag. 107</u> |

CON-PA CARD

- | | | |
|----------|-----------------------------|-----------------|
| <u>1</u> | <u>Schema Elettrico</u> | <u>Pag. 105</u> |
| <u>2</u> | <u>Lista dei Componenti</u> | <u>Pag. 106</u> |
| <u>3</u> | <u>Piano di Montaggio</u> | <u>Pag. 107</u> |



Title		R.V.R. Elettronica S.r.l. (Bo)	
Size		A4	
Document Number		CON-PA Card Circuit Diagram	
REV			
Date:	Sheet	of	

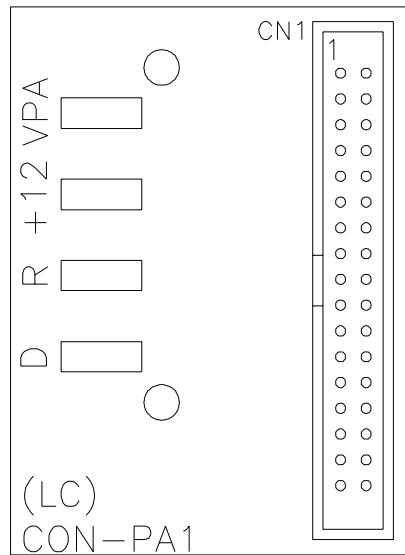
CON-PA Card Bill of Materials/Lista Componenti

Pag. 1

Item Quantity Reference Part Description

Part Order Code

1 1 CN1 34 P CONN. CONN. M 2*17 P 2.54 CNTMCSFC34P



DENOMINAZIONE
CON-PA Card Component Layout / Piano di Montaggio

DISPOSITIVO

SEMILAVORATO	DISEGNATO D'Alessio D. U	DISEGNO
MATERIALE	SCALA	TAVOLA n di
TRATTAMENTO		

R.F. POWER AMPLIFIER

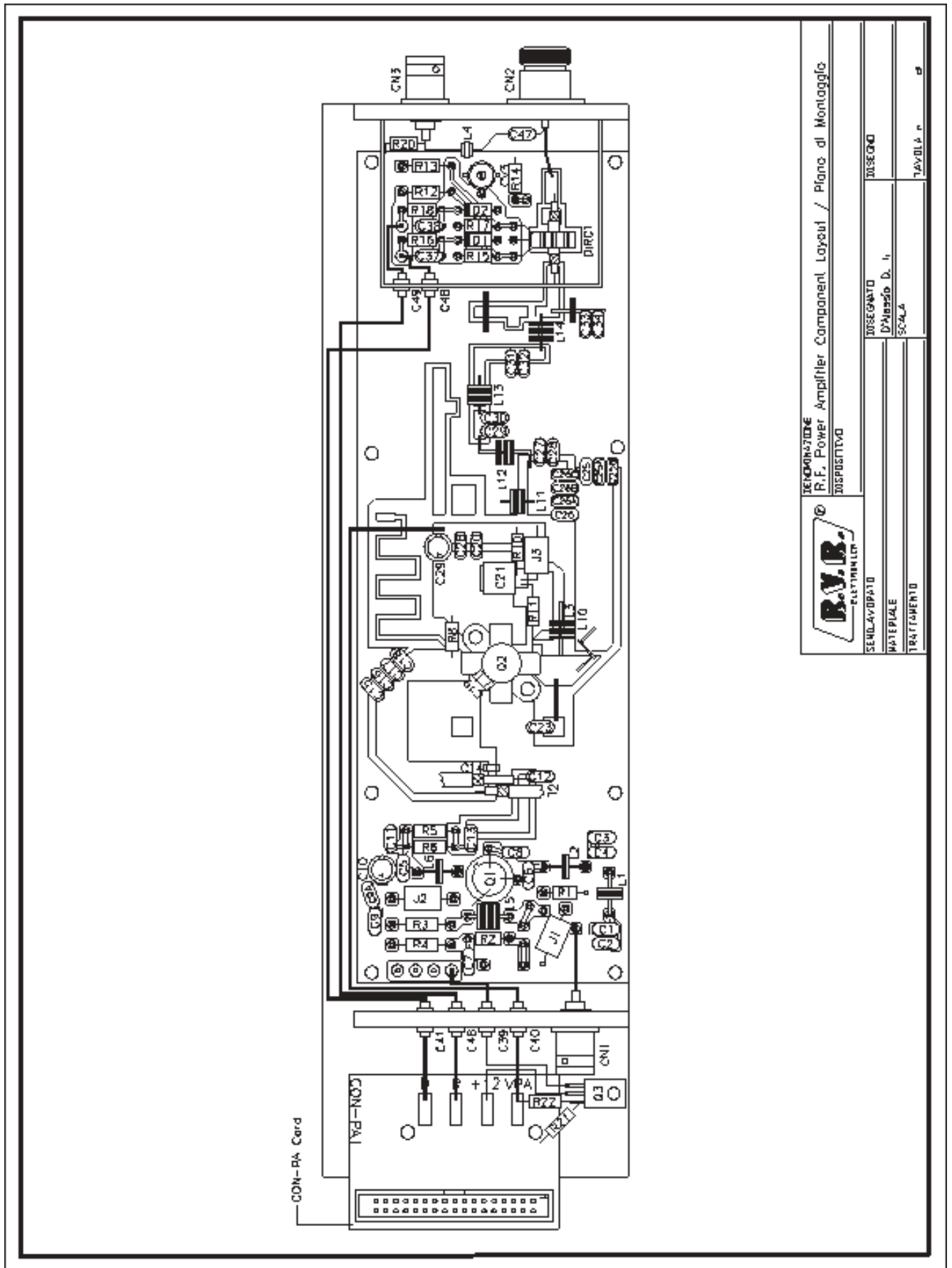
<u>1</u>	<u>Circuit Diagram</u>	<u>Pag. 109</u>
<u>2</u>	<u>Bill of Materials</u>	<u>Pag. 110</u>
<u>3</u>	<u>Layout</u>	<u>Pag. 112</u>

R.F. POWER AMPLIFIER

<u>1</u>	<u>Schema Elettrico</u>	<u>Pag. 109</u>
<u>2</u>	<u>Lista dei Componenti</u>	<u>Pag. 110</u>
<u>3</u>	<u>Piano di Montaggio</u>	<u>Pag. 112</u>

Item	Quantity	Reference Part	Description	Part Order Code
1	2	R3,R4	3.9** RESISTOR 1W	RSC001JH03,9
2	2	R5,R6	18** RESISTOR 1W	RSC001JH0018
3	3	R1,R8,R10 18#	RESISTOR 2W	RSC002JH0018
4	3	R15,R17,R20 47 1%	RESISTOR 1/4W 1%	RSM1/4FH0047
5	2	R12,R13 47*	RESISTOR 1/2W 5%	RSC1/2JH0047
6	2	R2,R11 270#	RESISTOR 2W 5%	RSC002JH0270
7	1	R22 820	RESISTOR 1/4W 5%	RSC1/4JH0820
8	1	R14 1K 1%	RESISTOR 1/4W 1%	RSM1/4FK0001
9	1	R21 1K5 1%	RESISTOR 1/4W 1%	RSC1/4FK01,5
10	2	R16,R18 3K3	RESISTOR 1/4W 5%	RSC1/4JK03,3
11	2	C36,C47 2p2	CERAMIC CAPACITOR NP0	CKM2,2BJ600C
12	2	C8,C34 6p8	CERAMIC CAPACITOR NP0	CKM6,8BJ600C
13	7	C5,C6,C7, 12pF C23,C27, C28,C33	CERAMIC CAPACITOR NP0	CKM120BJ600C
14	1	C12 15pF	CERAMIC CAPACITOR NP0	CKM150BJ600C
15	4	C26C,C26B, 18pF C26A,C26	CERAMIC CAPACITOR NP0	CKM180BJ600C
16	4	C29,C30, 27pF C31,C32	CERAMIC CAPACITOR NP0	CKM270BJ600C
17	3	C25B,C25A, 33pF C25	CERAMIC CAPACITOR NP0	CKM330BJ600C
18	2	C2,C11 39pF	CERAMIC CAPACITOR NP0	CKM390BJ600C
19	1	CV3 T40PF	TRIMMER CAPACITOR	CVF400BK
20	1	C3 47pF	CERAMIC CAPACITOR NP0	CKM470BJ600C
21	4	C15,C16, 82pF C17,C18	CERAMIC CAPACITOR NP0	CKM820BJ600C
22	1	C4 100pF	CERAMIC CAPACITOR NP0	CKM101BJ600C
23	1	C14 150pFHQ	HIGHT Q CAPACITOR	CHQ151AJ500
24	1	C22 680pFHQ	HIGHT Q CAPACITOR	CHQ681AJ500
25	1	C21 1nFUNELCO	SILVER MICA CAPACITOR	CSM102XK351
26	2	C9A,C20 0.1µF	CERAMIC CAPACITOR	CKM104BK600P

Item	Quantity	Reference Part	Description	Part Order Code
27	6	C39,C40, 1nFPAS C41,C46, C48,C49	CERAMIC THROUGH CAPAC.	CDP102XK500
28	6	C1,C9,C13, 4n7 C28,C37,C38	CERAMIC CAPACITOR	CKM472BK600P
29	1	C10 10µF	ELECTROLYTIC CAPACITOR	CEA106AM350
30	1	C29 100µF	ELECTROLYTIC CAPACITOR	CEA107BM350
31	3	J1,J2,J3 VK200	RF CHOKE	IMPVK200
32	1	L10 L16RVR1	1 SP D. 6 R.A. 1 mm	
33	1	L2 L24RVR0.8	2 SP D. 4 R.S. 0.8mm	
34	1	L6 L27RVR0.8	2 SP D. 7 R.S. 0.8mm	
35	1	L1 L35.5RVR0.8	3 SP D. 5.5 R.S. 0.8mm	
36	1	L11 L46RVR1	4 SP D. 6 R.S. 1 mm	
37	4	L3,L12,L13, L56RVR1 L14	5 SP D. 6 R.A. 1 mm	
38	1	L5 L65.5RVR0.8	6 SP D. 5.5 R.S. 0.8mm	
39	1	L15 L26RVR1	6 SP D. 7 R.A. 1.0mm	
40	1	L4 LINK	LINK FILO ARG. 1mm CAVARG1000	
41	4	STR1,STR2, S.L. STR3,STR5	STRIPLINE CIRC. STAMP.	
42	1	T2 4:1	TRASF. RF. CAVO 25 OHM	CAV7612/78
43	1	DIRC1 TOROIDE	TOROIDE DIA. 10 MM	FTR10N
44	2	CN1,CN3 BNC TELAIO	CONN. BNC A TELAIO	CNTBNCFPV
45	1	CN2 N TELAIO	CONN. N A TELAIO	CNTNFPFL
46	2	D1,D2 1N4148	SILICON DIODE	DIS1N4148
47	1	Q3 BD681	NPN DARLINGTON	TRNBD681
48	1	Q1 MRF237	RF POWER TRANSISTOR	TRNMRF237
49	1	Q2 BLW86	RF POWER TRANSISTOR	TRNBLW86

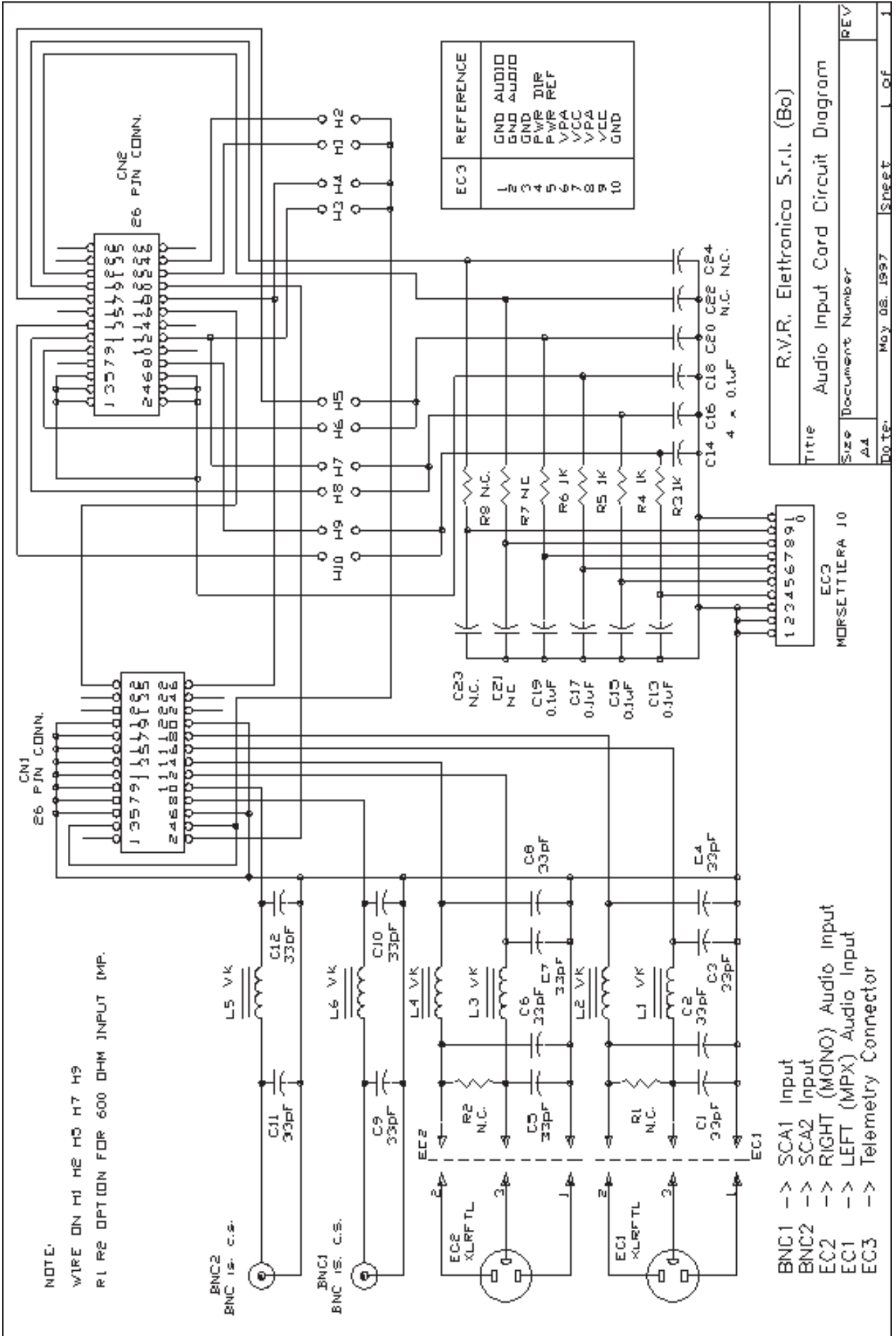


AUDIO INPUT CARD

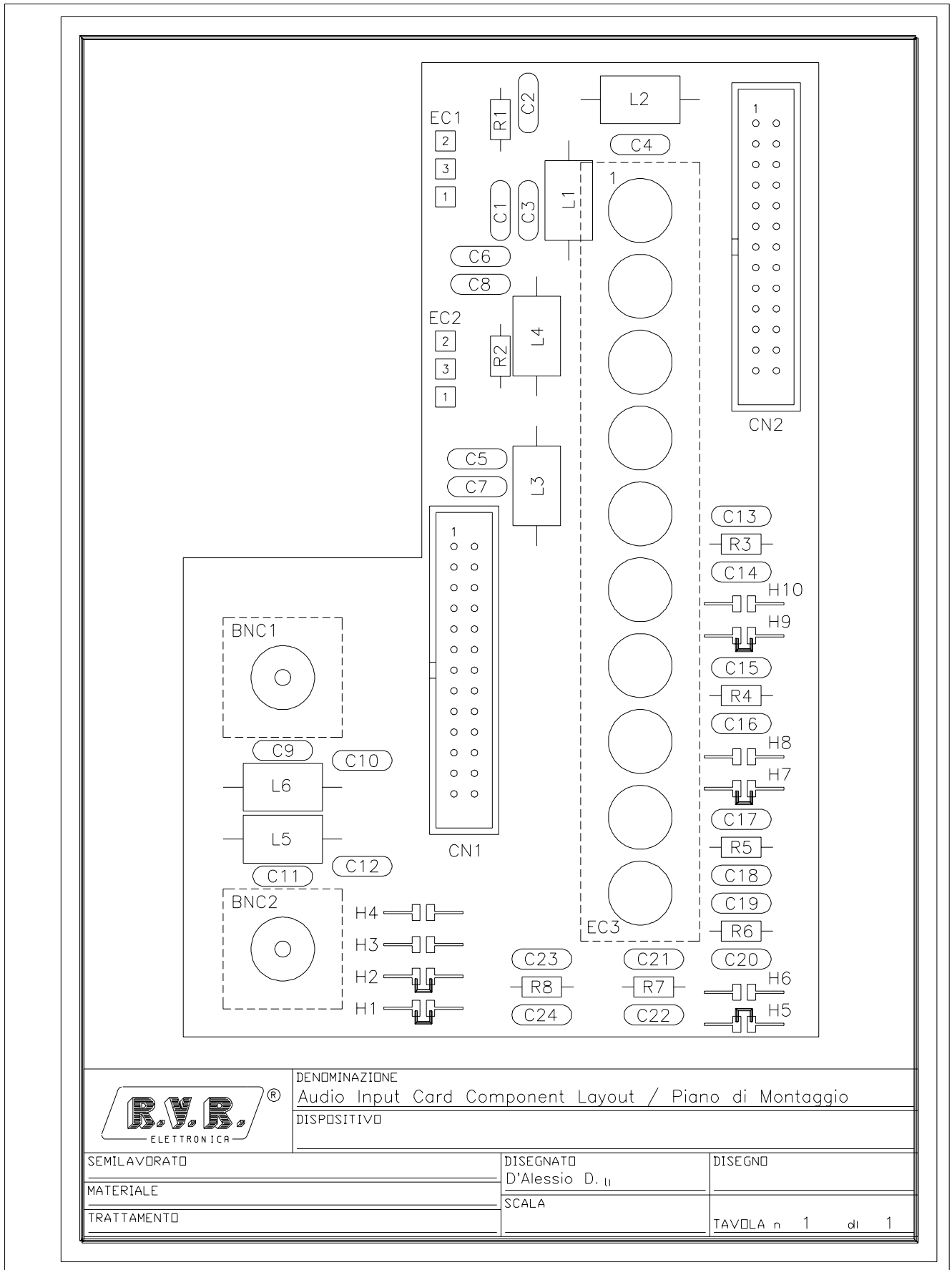
- | | | |
|----------|--------------------------|-----------------|
| <u>1</u> | <u>Circuit Diagram</u> | <u>Pag. 114</u> |
| <u>2</u> | <u>Bill of Materials</u> | <u>Pag. 115</u> |
| <u>3</u> | <u>Layout</u> | <u>Pag. 116</u> |


AUDIO INPUT CARD

- | | | |
|----------|-----------------------------|-----------------|
| <u>1</u> | <u>Schema Elettrico</u> | <u>Pag. 114</u> |
| <u>2</u> | <u>Lista dei Componenti</u> | <u>Pag. 115</u> |
| <u>3</u> | <u>Piano di Montaggio</u> | <u>Pag. 116</u> |



Item	Quantity	Reference Part	Description	Part Order Code
1	4	R3,R4,R5,R6 1K	RESISTOR 1/4W 5%	RSC1/4JK0001
2	12	C1,C2,C3, 33pF C4,C5,C6, C7,C8,C9, C10,C11,C12	CERAMIC CAPACITOR NP0	CKM330BJ600C
3	8	C13,C14, 0.1µF C15,C16, C17,C18, C19,C20	CERAMIC CAPACITOR	CKM104BK600P
4	6	L1,L2,L3, VK L4,L5,L6	RF CHOKE	IMPVK00A
5	2	EC1,EC2 XLRFTL	XLR FEMMINA DA TELAIO	CNTXLRFP3P
6	1	EC3 MORSET. 10	MORSET. TELAIO 10	CONT. MORSP10P
7	2	CN1,CN2 26P CONN. CONN. M 2*13 P 2.54		CNTMCSFC26P
8	2	BNC1,BNC2 BNC IS. CS	CONN. BNC A STAMP. IS.	CNTBNCFCISIS
9	10	H1,H2,H3, WIRE JUMPER H4,H5,H6, H7,H8,H9, H10	PONTICELLO A FILO	WIREJUMPER
10	8	R1,R2,R7, N.C. R8,C21,C22, C23,C24		NOT CONNECTED



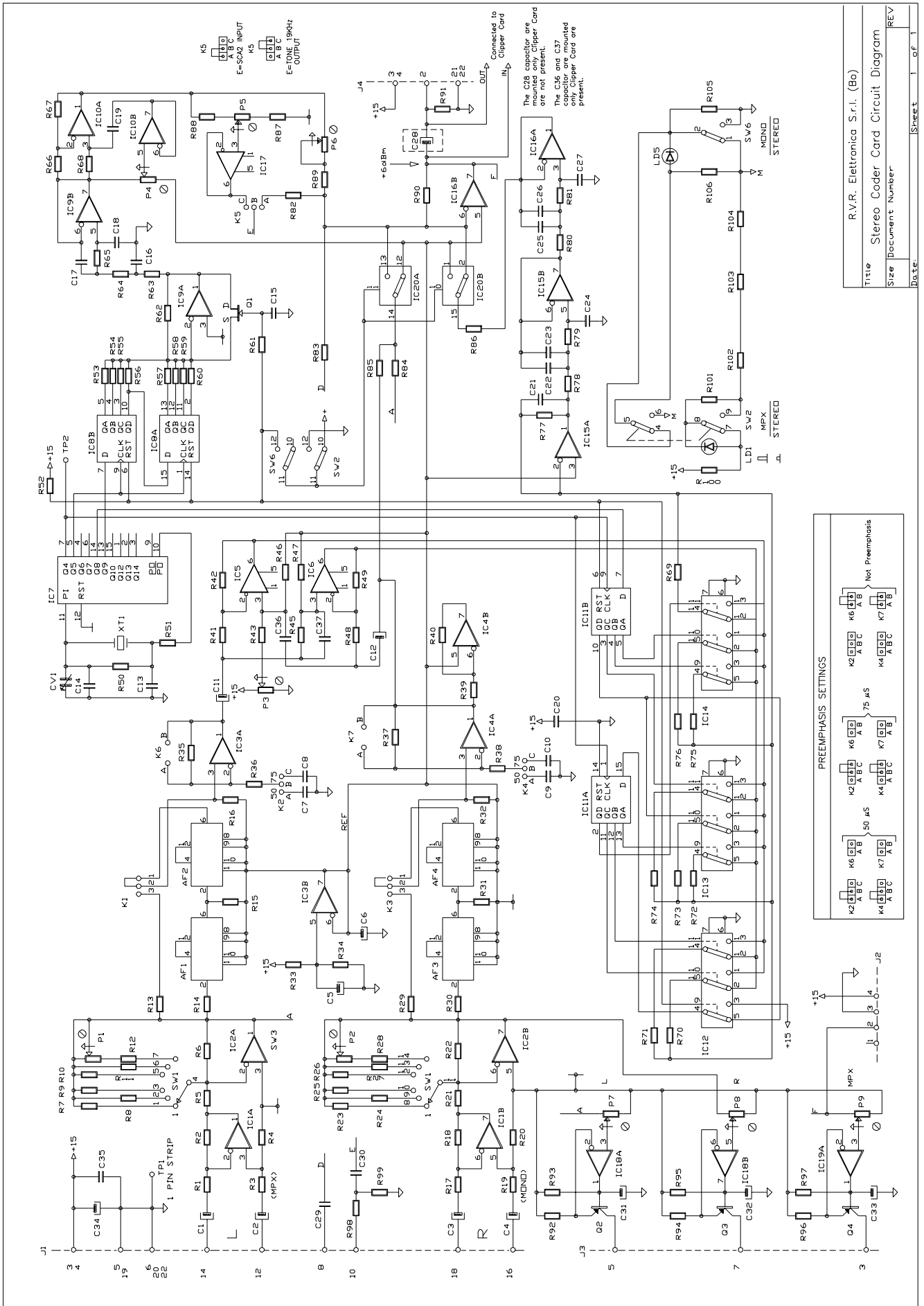
	DENOMINAZIONE	
	Audio Input Card Component Layout / Piano di Montaggio	
DISPOSITIVO		
SEMILAVORATO	DISEGNATO	DISEGNO
MATERIALE	D'Alessio D. U.	
TRATTAMENTO	SCALA	
		TAVOLA n 1 di 1

STEREO CODER CARD (MOD. SDC30)

<u>1</u>	<u>Circuit Diagram</u>	<u>Pag. 118</u>
<u>2</u>	<u>Bill of Materials</u>	<u>Pag. 119</u>
<u>3</u>	<u>Layout</u>	<u>Pag. 123</u>

STEREO CODER CARD (MOD. SDC30)

<u>1</u>	<u>Schema Elettrico</u>	<u>Pag. 118</u>
<u>2</u>	<u>Lista dei Componenti</u>	<u>Pag. 119</u>
<u>3</u>	<u>Piano di Montaggio</u>	<u>Pag. 123</u>

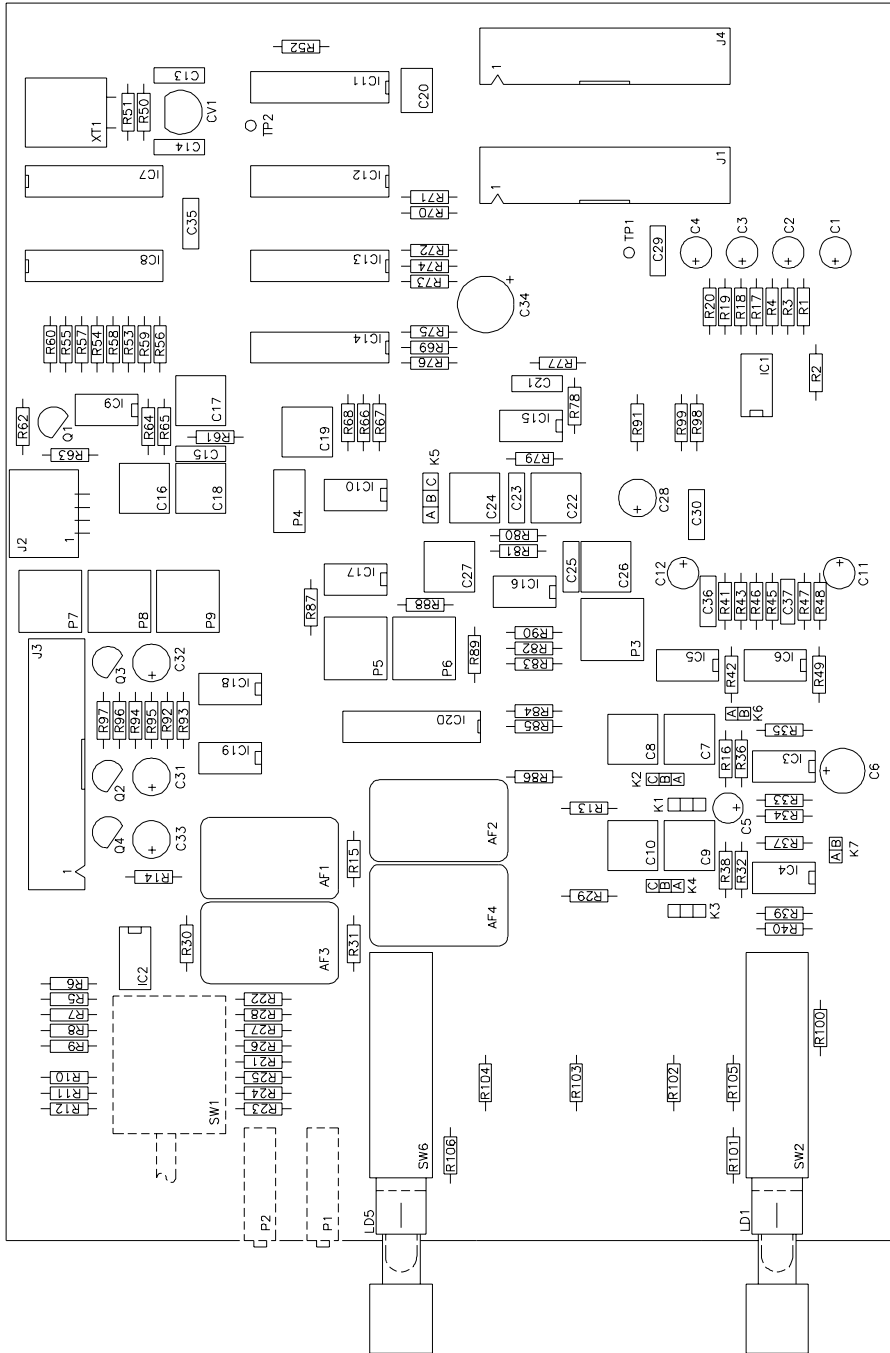



Item	Quantity	Reference Part	Description	Part Order Code
1	1	R98 100	RESISTOR 1/4W 5%	RSC1/4JH0100
2	5	R46,R47, 200 1% R101,R105, R106	RESISTOR 1/4W 1%	RSC1/4FH0200
3	1	R51 330	RESISTOR 1/4W 5%	RSC1/4JH0330
4	2	R78,R79 464 1%	RESISTOR 1/4W 1%	RSM1/4FH0464
5	1	R87 499 1%	RESISTOR 1/4W 1%	RSM1/4FH0499
6	2	R36,R38 750 1%	RESISTOR 1/4W 1%	RSM1/4FH0750
7	1	R100 1K	RESISTOR 1/4W 5%	RSC1/4JK0001
8	1	R45 115K 2%	RESISTOR 1/4W 2%	RSM1/4GK0115
9	4	R12,R28, 1K78 1% R80,R81	RESISTOR 1/4W 1%	RSM1/4FK1,78
10	5	R5,R11,R21, 2K49 1% R27,R85	RESISTOR 1/4W 1%	RSM1/4FK2,49
11	6	R62,R63, 3K83 1% R64,R65, R66,R67	RESISTOR 1/4W 1%	RSC1/4FK3,83
12	1	R84 4K42 1%	RESISTOR 1/4W 1%	RSM1/4FK4,42
13	2	R14,R30 4K64 1%	RESISTOR 1/4W 1%	RSM1/4FK4,64
14	10	R3,R4,R10, 5K11 1% R19,R20, R26,R39, R40,R86,R90	RESISTOR 1/4W 1%	RSM1/4FK5,11
15	2	R13,R29 5K90 1%	RESISTOR 1/4W 1%	RSM1/4FK5,90
16	2	R9,R25 7K15 1%	RESISTOR 1/4W 1%	RSM1/4FK7,15
17	2	R16,R32 7K50 1%	RESISTOR 1/4W 1%	RSM1/4FK7,50
18	1	R88 9K09 1%	RESISTOR 1/4W 1%	RSM1/4FK9,09
19	9	R8,R24, 10K0 1% R33,R34, R41,R48, R92,R94,R96	RESISTOR 1/4W 1%	RSC1/4FK10,0
20	1	R99 10K	RESISTOR 1/4W 5%	RSC1/4JK0010
21	1	R77 12K7 1%	RESISTOR 1/4W 1%	RSM1/4FK12,7
22	6	R1,R2,R7, 14K7 1% R17,R18,R23	RESISTOR 1/4W 1%	RSM1/4FK14,7
23	1	R52 15K	RESISTOR 1/4W 5%	RSC1/4JK0015

Item	Quantity	Reference Part	Description	Part Order Code
24	2	R42,R49 17K8 1%	RESISTOR 1/4W 1%	RSC1/4FK17,8
25	1	R68 20K0 1%	RESISTOR 1/4W 1%	RSM1/4FK20,0
26	2	R35,R37 21K5 1%	RESISTOR 1/4W 1%	RSM1/4FK21,5
27	2	R82,R83 24K9 1%	RESISTOR 1/4W 1%	RSM1/4FK24,9
28	2	R15,R31 33K	RESISTOR 1/4W 5%	RSC1/4JK0033
29	1	R89 40K2 1%	RESISTOR 1/4W 1%	RSM1/4FK40,2
30	1	R91 47K	RESISTOR 1/4W 5%	RSC1/4JK0047
31	4	R56,R57, R72,R73 64K9 1%	RESISTOR 1/4W 1%	RSM1/4FK64,9
32	4	R55,R58, R71,R74 75K0 1%	RESISTOR 1/4W 1%	RSM1/4FK75,0
33	1	R50 100K	RESISTOR 1/4W 5%	RSC1/4JK0100
34	4	R54,R59, R70,R75 115K 1%	RESISTOR 1/4W 1%	RSM1/4FK0115
35	2	R43,R61 150K	RESISTOR 1/4W 5%	RSC1/4JK0150
36	4	R53,R60, R69,R76 324K 1%	RESISTOR 1/4W 1%	RSM1/4FK0324
37	3	R93,R95,R97 470K	RESISTOR 1/4W 5%	RSC1/4JK0470
38	2	R6,R22 1M	RESISTOR 1/4W 5%	RSC1/4JM0001
39	1	P5 TC1K	TRIM. REG. VERT. CERMET	RVTCERVK0001
40	2	P3,P6 TC20K	TRIM. REG. VERT. CERMET	RVTVERVK0020
41	3	P7,P8,P9 TC50K	TRIM. REG. VERT. CERMET	RVTCERVK0050
42	2	P1,P2 M20K	TRIMMER MULTIGIRI	RVTMULAK0020
43	1	P4 TM5K	TRIMM. MULT. REG. VERT.	RVTMULVK0005
44	1	CV1 T8pF	TRIMMER CAPACITOR	CVC080CK600
45	1	C14 8p2	CERAMIC CAPACITOR NP0	CKM8,2BJ600C
46	1	C23 27pF	CERAMIC CAPACITOR NP0	CKM270BJ600C
47	3	C13,C21,C25 47pF	CERAMIC CAPACITOR NP0	CKM470BJ600C
48	2	C36,C37 68pF	CERAMIC CAPACITOR NP0	CKM680BJ600C
49	1	C27 100pFP 1%	POLIESTER CAPACITOR 1%	CPE101BF63
50	2	C18,C19 150pFP 1%	POLIESTER CAPACITOR 1%	CPE151BF63

Item	Quantity	Reference Part	Description	Part Order Code
51	3	C16,C24,C26	1nFP 1% POLIESTER CAPACITOR 1%	CPE102BF63
52	1	C22	1n5FP 1% POLIESTER CAPACITOR 1%	CPE152BF63
53	2	C7,C9	2n2P 1% POLIESTER CAPACITOR	CPE222BF63
54	1	C17	2n7P 1% POLIESTER CAPACITOR 1%	CPE272BF63
55	2	C8,C10	3n3P 1% POLIESTER CAPACITOR 1%	CPE332BF101
56	4	C15,C20, C29,C30	0.1µF CERAMIC CAPACITOR	CKM104BK600P
57	1	C35	0.47µF POLIESTER CAPACITOR	CPE474EK101
58	3	C31,C32,C33	2.2µF ELECTROLYTIC CAPACITOR	CEA225AM630
59	1	C5	10µF ELECTROLYTIC CAPACITOR	CEA106AM350
60	7	C1,C2,C3, C4,C6,C11, C12	100µF ELECTROLYTIC CAPACITOR	CEA107BM350
61	2	C28,C34	220µF ELECTROLYTIC CAPACITOR	CEA227BM350
62	4	AF1,AF2, AF3,AF4	LPF19K 19KHz LOW PASS FILTER	FLP19KHZ
63	2	TP1,TP2	1 PIN STRIP STRIP M 1 PIN	CNTSTRIPMCS
64	2	K6,K7	2 PIN STRIP STRIP M P 2.54 2 PIN	CNTSTRIPMCS
65	5	K1,K2,K3, K4,K5	3 PIN STRIP STRIP M P 2.54 3 PIN	CNTSTRIPMCS
66	1	J2	4 PIN STRIP STRIP M P 2.54 4 PIN	CNTSTRIPMCS
67	3	J1,J4,J6	26P CONN. CONN. M 2*13 P 2.54	CNTMCSFC26P
68	1	XT1	Q9.728MHZ CRYSTAL	QRZ9,728HC18
69	1	SW1	SW2V6P COMM. 2 VIE 6 POS FEME	COMR2V6PCS
70	2	SW2,SW6	SWSPDT-4 COMMUTATORE 4 VIE 2 POS	COMR4V2PCS
71	2	LD1,LD5	LED-G5 GREEN LED DIODE	LEDVE05
72	3	Q2,Q3,Q4	BC557 PNP TRANSISTOR	TRNBC557
73	1	Q1	MPF4393 JFET SWITCH. N-CHANNEL	TRNMPF4393
74	2	IC18,IC19	LM393 DOUBLE COMPARATOR	CILLM393
75	8	IC1,IC2, IC3,IC4, IC9,IC10, IC15,IC16	LF353 DOUBLE OP. AMP.	CILLF353

Item	Quantity	Reference Part	Description	Part Order Code
76	3	IC5,IC6, LF356 IC17	JPFET IN. OP. AMPLIFIER	CILLF356
77	2	IC8,IC11 4015	SHIFT REGISTER	CID4015
78	4	IC12,IC13, 4053 IC14,IC20	TRIPLE 2 CH ANAL. MULT.	CID4053
79	1	IC7 4060	CMOS BIN DIVIDER	CID4060
80	3	R102,R103, R104	WIRE COLLEGAMENTO A FILO	FILO



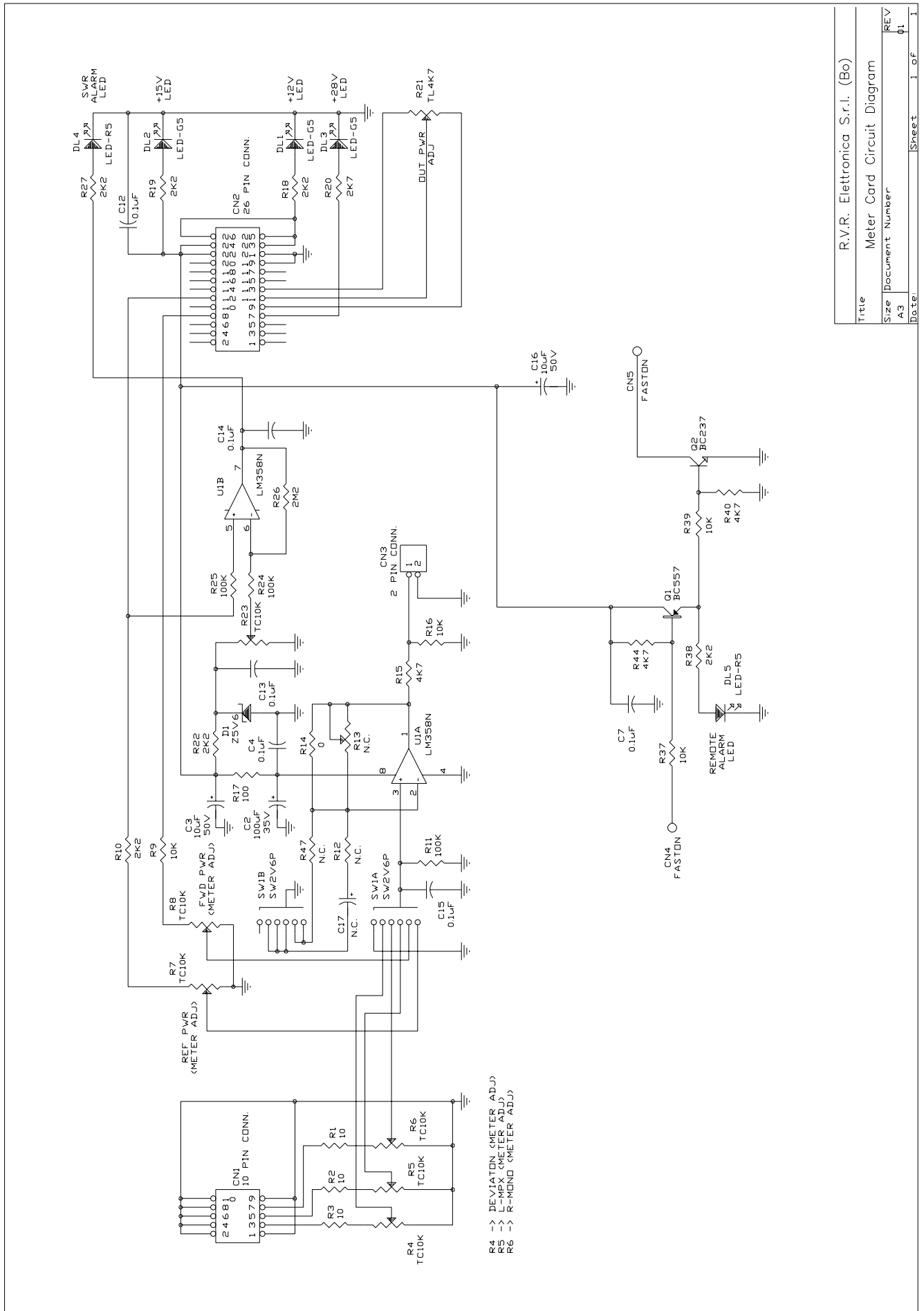
		DENOMINAZIONE Stereo Coder Card Component Layout / Piano di Montaggio	
SEMILAVORATO		DISEGNO	
MATERIALE		D'Alessio D. u	
TRATTAMENTO		SCALA	
		TAVOLA n. 1 di 1	

METER CARD

- | | | |
|----------|--------------------------|-----------------|
| <u>1</u> | <u>Circuit Diagram</u> | <u>Pag. 125</u> |
| <u>2</u> | <u>Bill of Materials</u> | <u>Pag. 126</u> |
| <u>3</u> | <u>Layout</u> | <u>Pag. 127</u> |

METER CARD

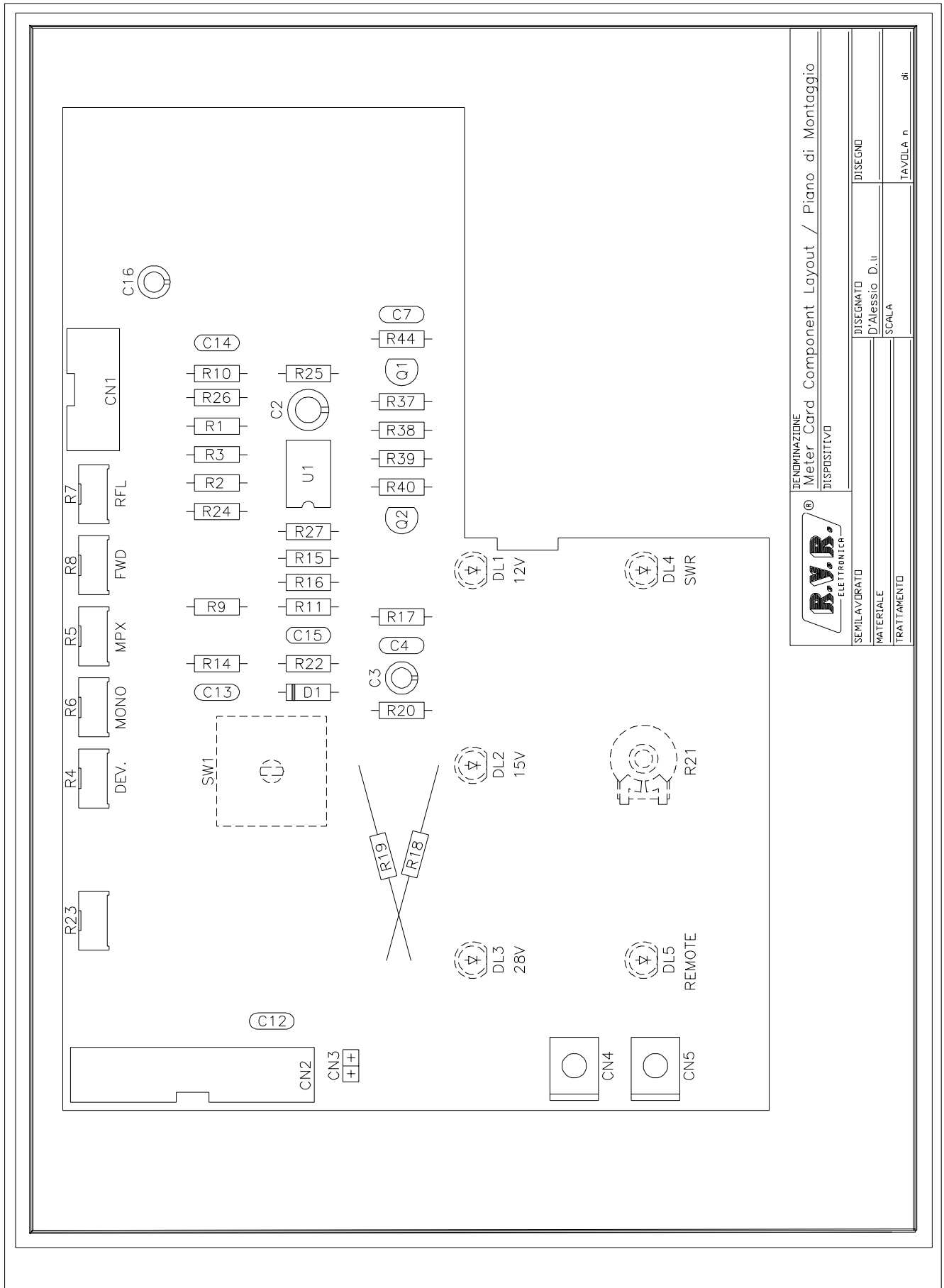
- | | | |
|----------|-----------------------------|-----------------|
| <u>1</u> | <u>Schema Elettrico</u> | <u>Pag. 125</u> |
| <u>2</u> | <u>Lista dei Componenti</u> | <u>Pag. 126</u> |
| <u>3</u> | <u>Piano di Montaggio</u> | <u>Pag. 127</u> |



R.V.R. Elettronica S.r.l. (Bo)	
Title	Meter Card Circuit Diagram
Size	Document Number
A3	REV 01
Date:	Sheet 1 of 1

Meter Card Bill of Materials/Lista Componenti Pag. 1

Item	Quantity	Reference Part	Description	Part Order Code
1	1	R14 0	0 OHM RESISTOR	R000
2	3	R1,R2,R3 10	RESISTOR 1/4W 5%	RSC1/4JH0010
3	1	R17 100	RESISTOR 1/4W 5%	RSC1/4JH0100
4	6	R10,R18, 2K2 R19,R22, R27,R38	RESISTOR 1/4W 5%	RSC1/4JK02,2
5	1	R20 2K7	RESISTOR 1/4W 5%	RSC1/4JK02,7
6	3	R15,R40,R44 4K7	RESISTOR 1/4W 5%	RSC1/4JK04,7
7	4	R9,R16,R37, 10K R39	RESISTOR 1/4W 5%	RSC1/4JK0010
8	3	R11,R24,R25 100K	RESISTOR 1/4W 5%	RSC1/4JK0100
9	1	R26 2M2	RESISTOR 1/4W 5%	RSC1/4JM02,2
10	1	R21 TL4K7	TRIMMER REG. VERT. 15mm	RVTD15VK04,7
11	6	R4,R5,R6, TC10K R7,R8,R23	TRIM. REG. VERT. CERMET	RVTCERVK0010
12	6	C4,C7,C12, 0.1µF C13,C14,C15	CERAMIC CAPACITOR	CKM104BK600P
13	2	C3,C16 10µF	ELECTROLYTIC CAPACITOR	CEA106AM350
14	1	C2 100µF	ELECTROLYTIC CAPACITOR	CEA107BM350
15	2	CN4,CN5 FASTON	CON. FASTON M CIRC. ST.	CNTFSTMCSGR
16	1	CN3 2 PIN CONN.	CONN. M 2*1 P 2.54	CNTM2PCS
17	1	CN1 10 P CONN.	CONN. M 2*5 P 2.54	CNTMCSFC10P
18	1	CN2 26 P CONN.	CONN. M 2*13 P 2.54	CNTMCSFC26P
19	1	SW1 SW2V6P	COMM. 2 VIE 6 POS FEME	COMR2V6PCS
20	2	DL4,DL5 LED-R5	RED LED DIODE	LEDRO05
21	3	DL1,DL2,DL3 LED-G5	GREEN LED DIODE	LEDVE05
22	1	D1 Z5V6	ZENER DIODE 5.6V 0.4W	DIZ5V60W4
23	1	Q2 BC237	NPN TRANSISTOR	TRNBC237
24	1	Q1 BC557	PNP TRANSISTOR	TRNBC557
25	1	U1 LM358N	DOUBLE OP. AMP.	CILLM358N
26	4	R12,R13, N.C. C17,R47	NOT CONNECTED	



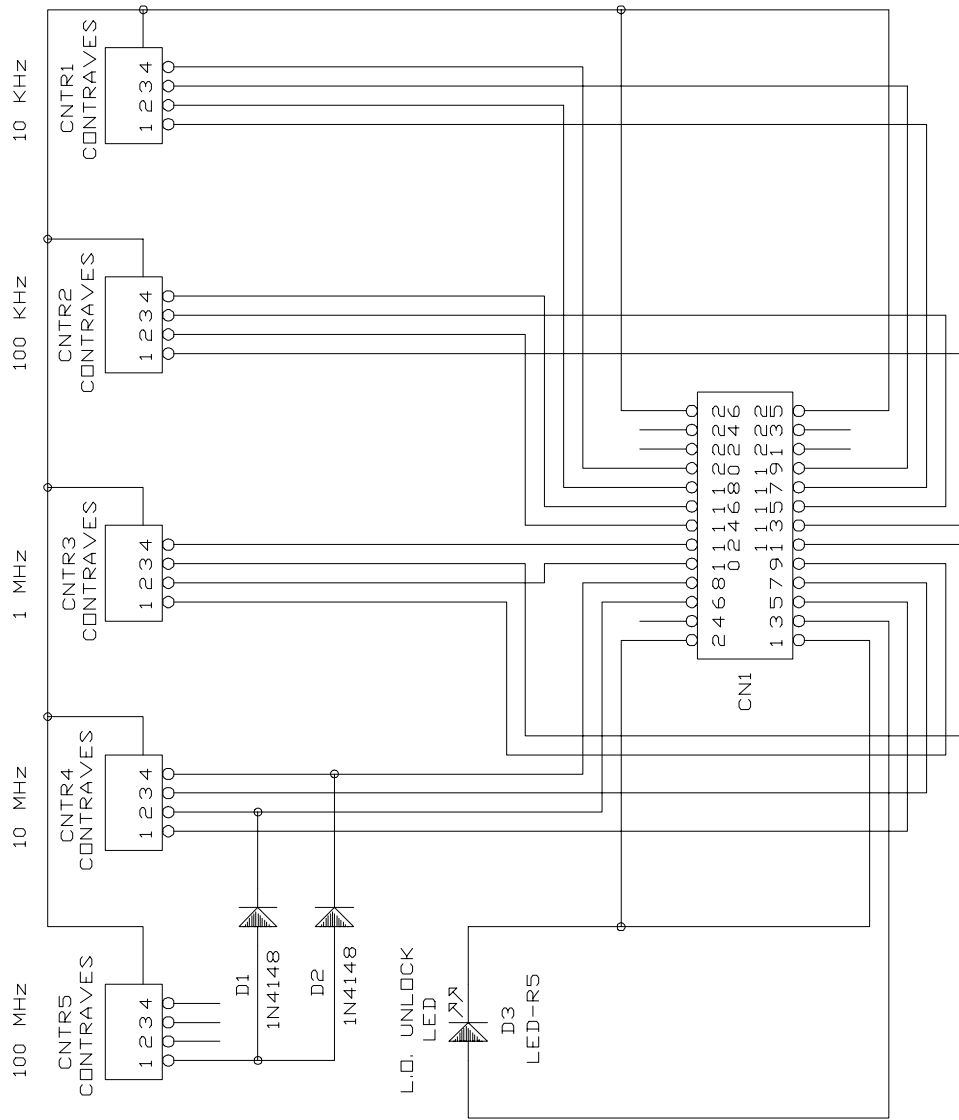
DENOMINAZIONE Meter Card Component Layout / Piano di Montaggio	
DISPOSITIVO	
DISEGNATO D'Alessio D.u	DISEGNO
MATERIALE SCALA	TAVOLA n. di
TRATTAMENTO	di

FREQUENCY SELECTOR CARD (MOD. TSW-1)

<u>1</u>	<u>Circuit Diagram</u>	<u>Pag. 129</u>
<u>2</u>	<u>Bill of Materials</u>	<u>Pag. 130</u>
<u>3</u>	<u>Layout</u>	<u>Pag. 131</u>

FREQUENCY SELECTOR CARD (MOD. TSW-1)

<u>1</u>	<u>Schema Elettrico</u>	<u>Pag. 129</u>
<u>2</u>	<u>Lista dei Componenti</u>	<u>Pag. 130</u>
<u>3</u>	<u>Piano di Montaggio</u>	<u>Pag. 131</u>

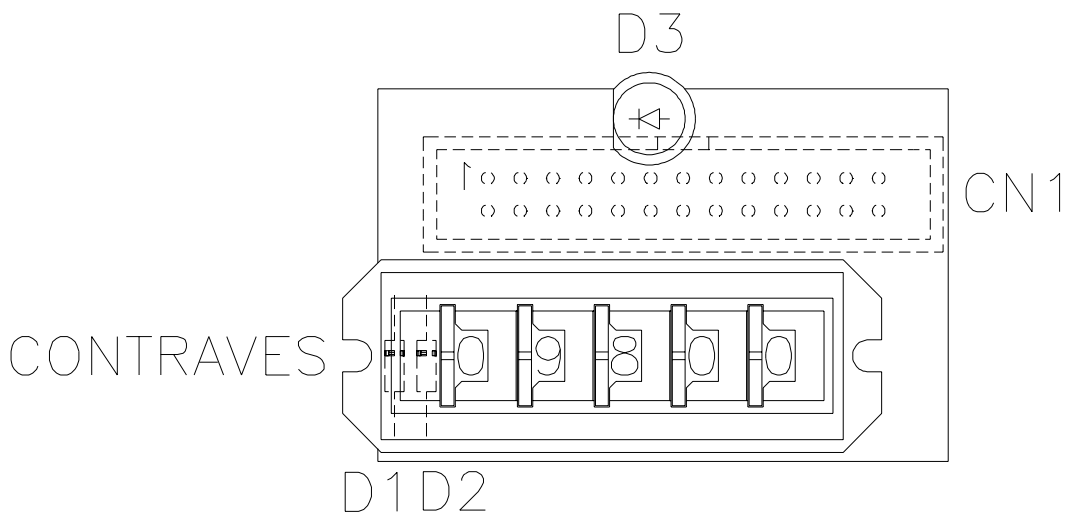



R.V.R. Elettronica S.r.l. (Bo)

Title		R.V.R. Elettronica S.r.l. (Bo)
Frequency Selector Card Circuit Diagram		
Size	Document Number	REV
A4	TSW-1	
Date:	October 17, 1994	Sheet 1 of 1

Frequency Selector Card Bill of Materials/Lista Componenti Pag. 1
 Mod. TSW-1

Item	Quantity	Reference Part	Description	Part Order Code
1	1	CN1	26P CONN. CONN. M 2*13 P 2.54	CNTMCSFC26P
2	5	CNTR1, CNTR2, CNTR3, CNTR4, CNTR5	CONTRAVES COMMUTATORI BCD 15mm	COMBCD15
3	2	D1, D2	1N4148 SILICON DIODE	DIS1N4148
4	1	D3	LED-R5 RED LED DIODE	LEDRO05



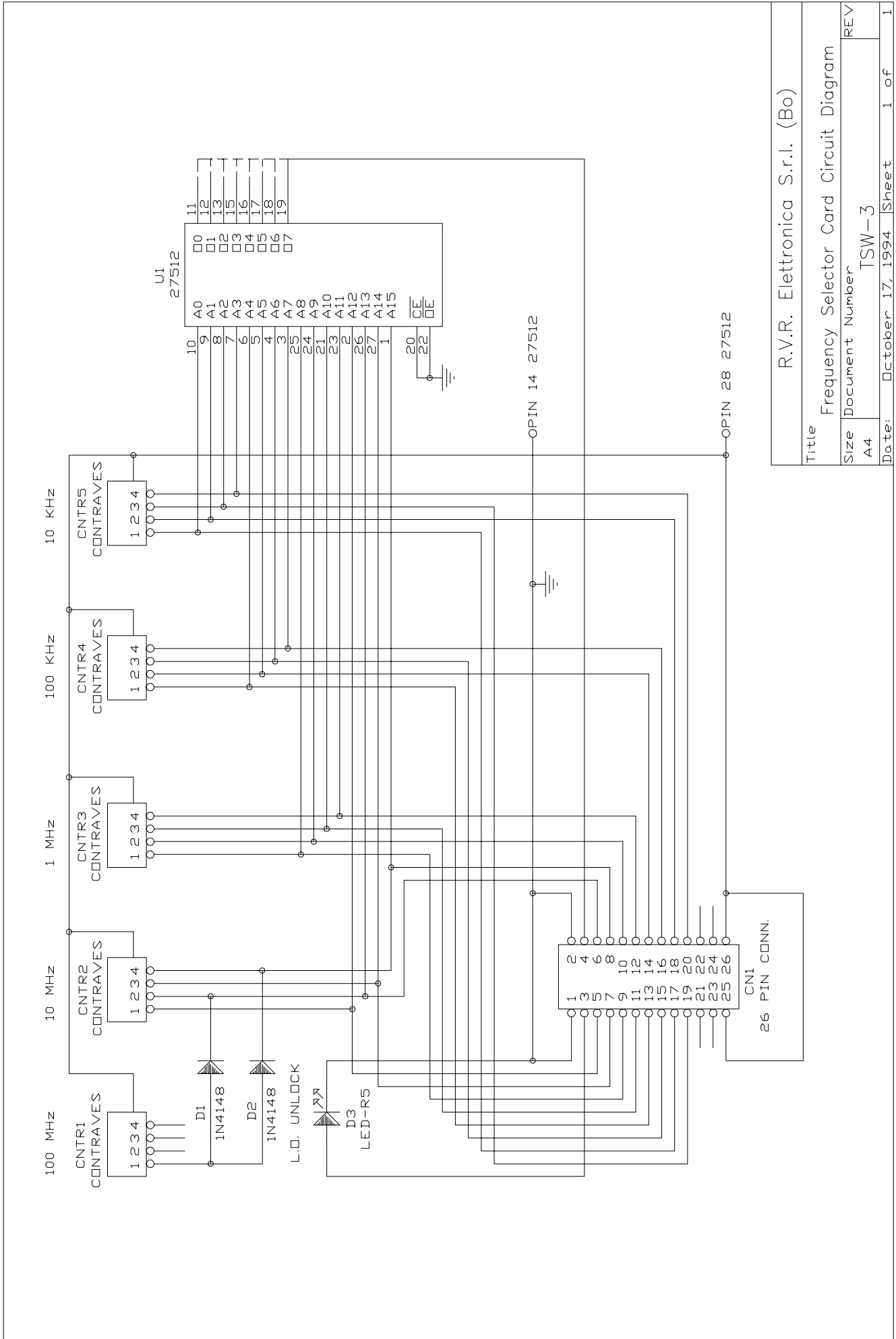
	DENOMINAZIONE	
	Frequency Selector Card Component Layout / Piano di Montaggio	
DISPOSITIVO		
SEMILAVORATO	DISEGNATO	DISEGNO
MATERIALE	D'Alessio D.lli	TSW-1
TRATTAMENTO	SCALA	TAVOLA n di

FREQUENCY SELECTOR CARD (MOD. TSW-3)

- | | | |
|----------|--------------------------|-----------------|
| <u>1</u> | <u>Circuit Diagram</u> | <u>Pag. 133</u> |
| <u>2</u> | <u>Bill of Materials</u> | <u>Pag. 134</u> |
| <u>3</u> | <u>Layout</u> | <u>Pag. 135</u> |

FREQUENCY SELECTOR CARD (MOD. TSW-3)

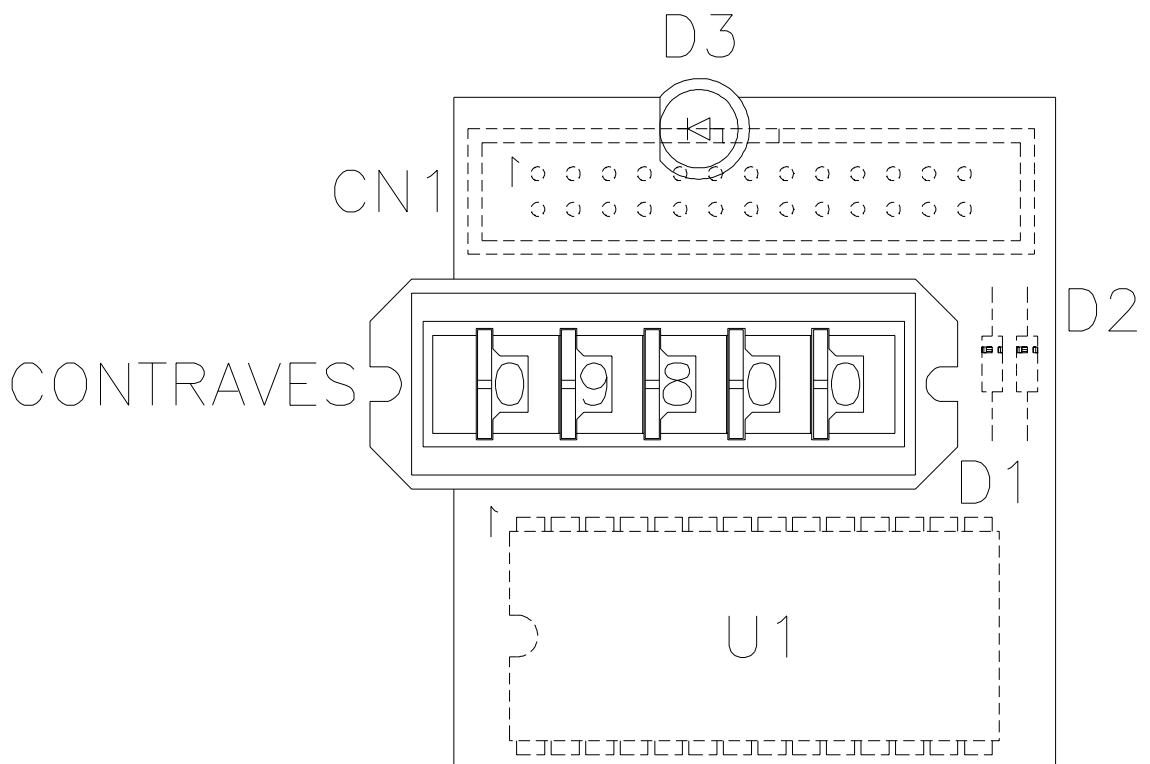
- | | | |
|----------|-----------------------------|-----------------|
| <u>1</u> | <u>Schema Elettrico</u> | <u>Pag. 133</u> |
| <u>2</u> | <u>Lista dei Componenti</u> | <u>Pag. 134</u> |
| <u>3</u> | <u>Piano di Montaggio</u> | <u>Pag. 135</u> |




Title		R.V.R. Elettronica S.r.l. (Bo)
Frequency Selector Card Circuit Diagram		
Size	Document Number	REV
A4	TSW-3	
Date:	October 17, 1994	Sheet 1 of 1

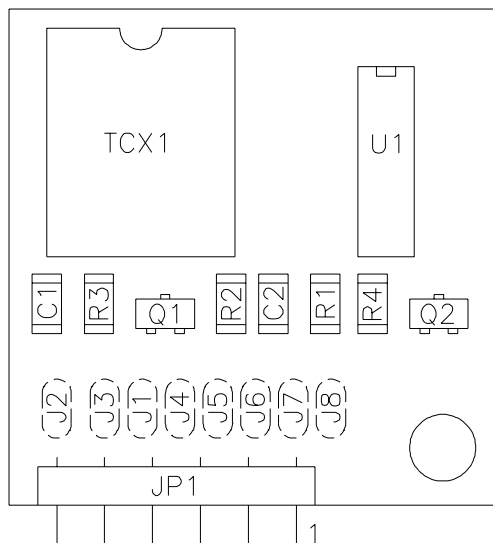
Frequency Selector Card Bill of Materials/Lista Componenti Pag. 1
 Mod. TSW-3


Item	Quantity	Reference Part	Description	Part Order Code
1	1	CN1	26P CONN. CONN. M 2*13 P 2.54	CNTMCSFC26P
2	5	CNTR1, CNTR2, CNTR3, CNTR4, CNTR5	CONTRAVES COMMUTATORI BCD 15mm	COMBCD15
3	2	D1, D2	1N4148 SILICON DIODE	DIS1N4148
4	1	D3	LED-R5 RED LED DIODE	LEDRO05
5	1	U1	27512 65,536x8 BIT CMOS EPROM	CID27512



	DENOMINAZIONE	
	Frequency Selector Card Component Layout / Piano di Montaggio	
	DISPOSITIVO	
SEMILAVORATO	DISEGNATO	DISEGNO
MATERIALE	D'Alessio D.	TSW-3
TRATTAMENTO	SCALA	TAVOLA n di

TCXO Card		Bill Of Materials	Page 1
Item	Quantity	Reference	Part
1	2	C1,C2	0.1uF
2	1	FIX1	FIX35
3	1	JP1	STM06S0
4	8	J1,J2,J3,J4,J5,J6,J7,J8	JSMD
5	1	Q1	MMBFJ310
6	1	Q2	BC857
7	1	R1	4K7
8	1	R2	270
9	1	R3	150K
10	1	R4	470
11	1	TCX1	TCXOS
12	1	U1	74HC390SMD



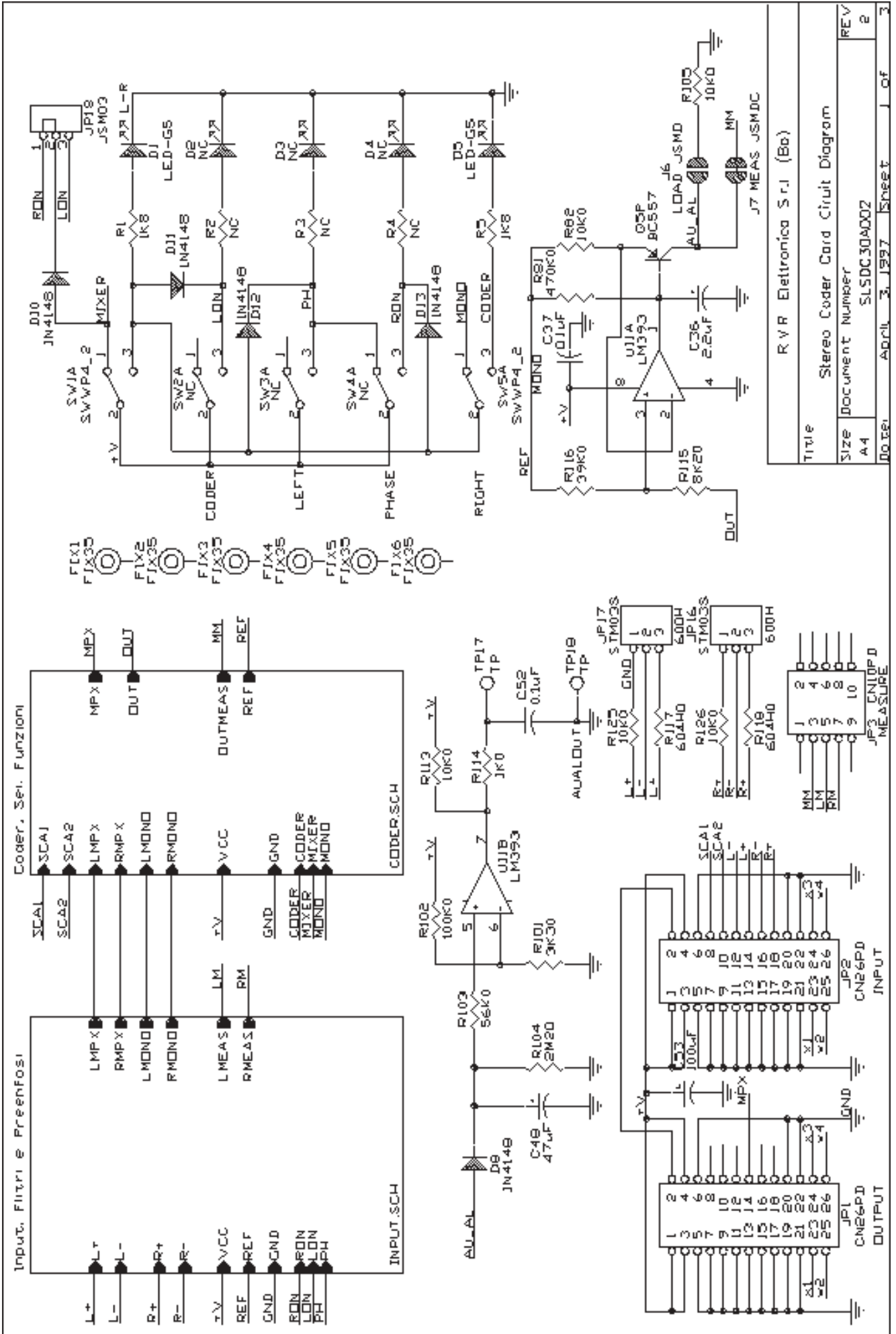
	DENOMINAZIONE	
	TCXO Card Component Layout / Piano di Montaggio	
	DISPOSITIVO	
SEMILAVORATO	DISEGNATO	DISEGNO
MATERIALE	D'Alessio D. U	
TRATTAMENTO	SCALA	TAVOLA n di

STEREO CODER CARD (MOD. SDC30A002)

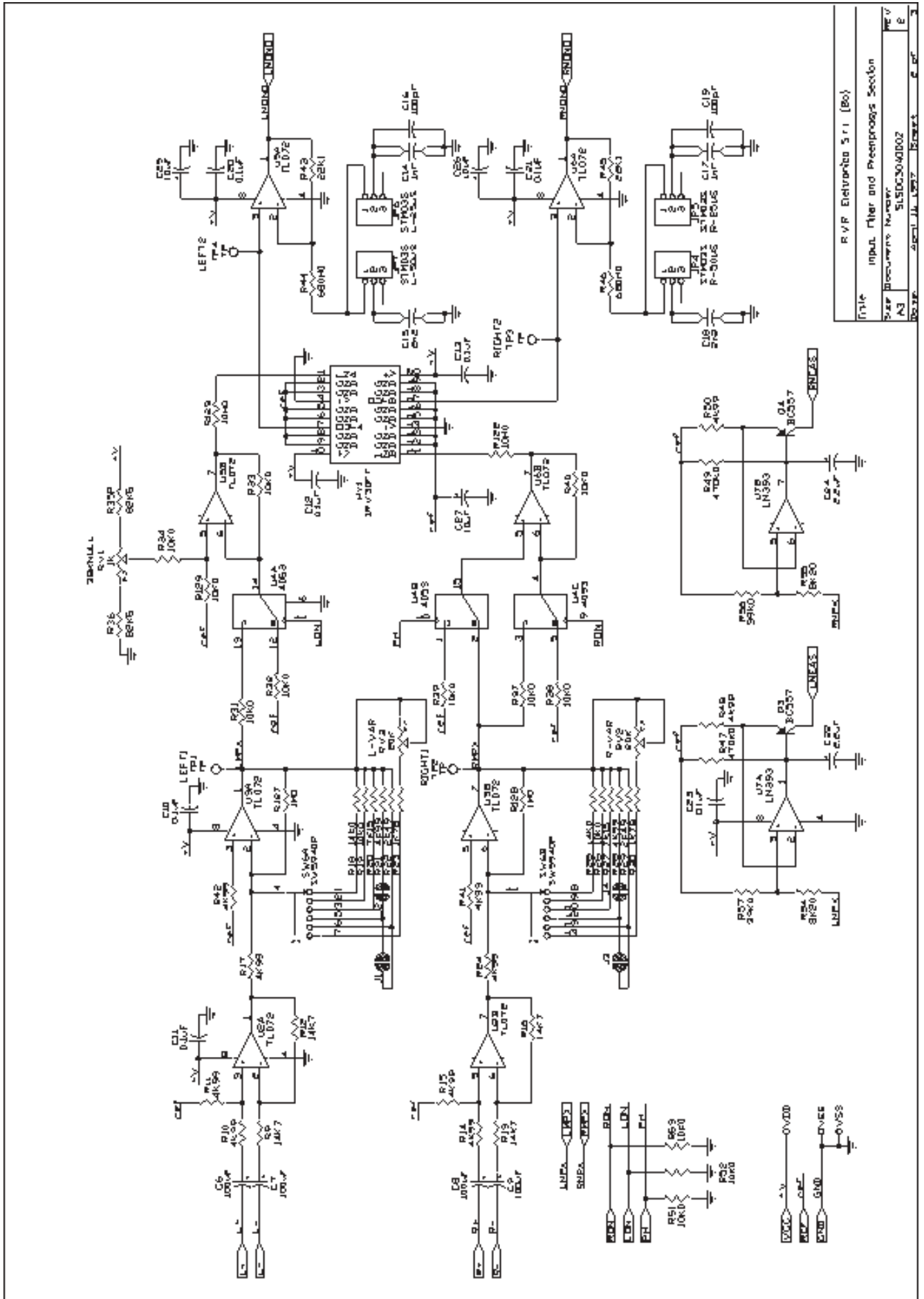
- 1 Circuit Diagram Pag. 137
- 2 Bill of Materials Pag. 138
- 3 Layout Pag. 139

STEREO CODER CARD (MOD. SDC30A002)

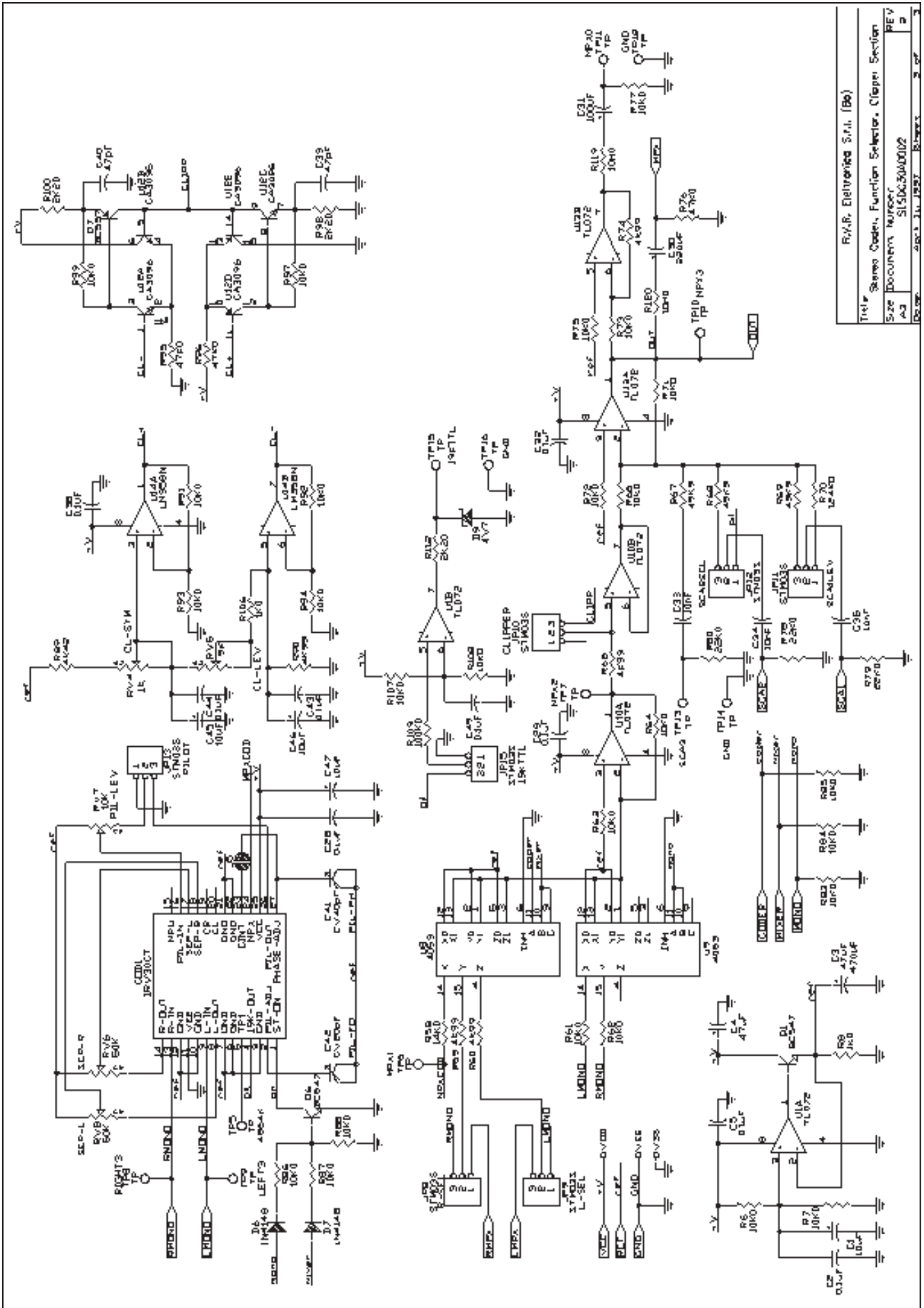
- 1 Schema Elettrico Pag. 137
- 2 Lista dei Componenti Pag. 138
- 3 Piano di Montaggio Pag. 139



Title		R.V.R. Elettronica S.r.l. (Bo)	
Size		Stereo Coder Card Circuit Diagram	
Document Number	REV	SLSDC30A002	2
Date	Sheet	April 3, 1997	3



Title	R.V.P. Elettronica S.r.l. (Bo)
Part Number	Input Filter and Preamplifier Section
Doc. Number	SLSDC30-0002
Date	08/11/1997
Rev.	01



Title	R.V.R. Elettronica S.r.l. (Bo)
Size	Screen Codes, Function Selector, Clapper Section
Doc. Number	S15DC30A0002
REV	1
REV	2
REV	3

Stereo Coder		Bill Of Materials		Page 1
Item	Reference Part	Description		Part Order Code
1	CS1	CS	Circuito stampato	CSSDC30A0002
2	R1	1K8	Res. 1/4 W 1%	RSM1/4FK01,8
3	R5	1K8	Res. 1/4 W 1%	RSM1/4FK01,8
4	R117	604H0	Res. 1/4 W 1%	RSM1/4FH0604
5	R118	604H0	Res. 1/4 W 1%	RSM1/4FH0604
6	D1	LED-G5	Led Verde dia. 5mm	LEDVE05
7	D5	LED-G5	Led Verde dia. 5mm	LEDVE05
8	D8	1N4148	Diodo silicio	DIS1N4148
9	C48	47uF	Cond. el. ver. 16V p. 2.5mm	CEA476AM160
10	R104	2M20	Res. 1/4 W 1%	RSM1/4FM02,2
11	R103	56K0	Res. 1/4 W 1%	RSM1/4FK0056
12	R114	1K0	Res. 1/4 W 1%	RSM1/4FK0001
13	R125	10K0	Res. 1/4 W 1%	RSM1/4FK0010
14	R126	10K0	Res. 1/4 W 1%	RSM1/4FK0010
15	JP17	STM03S	Strip M 2.54 3 pin.	CNTSTM03S
16	JP16	STM03S	Strip M 2.54 3 pin.	CNTSTM03S
17	JP2	CN26PD	Conn. M cs 2x2.54mm a 26 pin.	CNTMCSFC26P
18	JP3	CN10PD	Conn. M cs 2x2.54mm a 10 pin.	CNTMCSFC10P
19	JP1	CN26PD	Conn. M cs 2x2.54mm a 26 pin.	CNTMCSFC26P
20	C52	0.1uF	Cond. ceramico p. 5mm P100	CKM104BK600P
21	SW1	SWWP4_2	Commutatore	SWWP4_2
22	SW5	SWWP4_2	Commutatore	SWWP4_2
23	C53	100uF	Cond. el. ver. 25V p. 2.5mm	CEA107AM250
24	SW2	NC	Non connesso	
25	R2	NC	Non connesso	
26	D2	NC	Non connesso	
27	D3	NC	Non connesso	
28	R3	NC	Non connesso	
29	SW3	NC	Non connesso	

Stereo Coder Bill Of Materials Page 2

Item Reference Part Description Part Order Code

30	SW4	NC	Non connesso	
31	R4	NC	Non connesso	
32	D4	NC	Non connesso	
33	D10	1N4148	Diodo silicio	DIS1N4148
34	D11	1N4148	Diodo silicio	DIS1N4148
35	D12	1N4148	Diodo silicio	DIS1N4148
36	D13	1N4148	Diodo silicio	DIS1N4148
37	C37	0.1uF	Cond. ceramico p. 5mm P100	CKM104BK600P
38	R81	470K0	Res. 1/4 W 1%	RSM1/4FK0470
39	R82	10K0	Res. 1/4 W 1%	RSM1/4FK0010
40	R116	39K0	Res. 1/4 W 1%	RSM1/4FK0039
41	R115	8K20	Res. 1/4 W 1%	RSM1/4FK08,2
42	R105	10K0	Res. 1/4 W 1%	RSM1/4FK0010
43	U11	LM393	CI lineare	CILLM393
44	ZOC11	ZOC8	Zoccolo int. 8 pin	ZIN08
45	R102	100K0	Res. 1/4 W 1%	RSM1/4FK0100
46	R101	3K30	Res. 1/4 W 1%	RSM1/4FK03,3
47	C36	2.2uF	Cond. el. ver. 16V p. 2.5mm	CEA225AM160
48	R113	10K0	Res. 1/4 W 1%	RSM1/4FK0010
49	Q5P	BC557	Tr. in TO 92	TRNBC557
50	U2	TL072	CI lineare	CILTL072
51	ZOC2	ZOC8	Zoccolo int. 8 pin	ZIN08
52	U5	TL072	CI lineare	CILTL072
53	ZOC5	ZOC8	Zoccolo int. 8 pin	ZIN08
54	U6	TL072	CI lineare	CILTL072
55	ZOC6	ZOC8	Zoccolo int. 8 pin	ZIN08
56	U3	TL072	CI lineare	CILTL072
57	ZOC3	ZOC8	Zoccolo int. 8 pin	ZIN08
58	U7	LM393	CI lineare	CILLM393

Stereo Coder		Bill Of Materials		Page 3
Item Reference Part		Description		Part Order Code
59	ZOC7	ZOC8	Zoccolo int. 8 pin	ZIN08
60	C6	100uF	Cond. el. ver. 25V p. 2.5mm	CEA107AM250
61	C7	100uF	Cond. el. ver. 25V p. 2.5mm	CEA107AM250
62	R9	14K7	Res. 1/4 W 1%	RSM1/4FK14,7
63	R10	4K99	Res. 1/4 W 1%	RSM1/4FK4,99
64	R11	4K99	Res. 1/4 W 1%	RSM1/4FK4,99
65	R12	14K7	Res. 1/4 W 1%	RSM1/4FK14,7
66	C11	0.1uF	Cond. ceramico p. 5mm P100	CKM104BK600P
67	C10	0.1uF	Cond. ceramico p. 5mm P100	CKM104BK600P
68	R31	10K0	Res. 1/4 W 1%	RSM1/4FK0010
69	R33	10K0	Res. 1/4 W 1%	RSM1/4FK0010
70	C27	10uF	Cond. el. ver. 35V p. 2.5mm	CEA106AM350
71	C13	0.1uF	Cond. ceramico p. 5mm P100	CKM104BK600P
72	R44	680H0	Res. 1/4 W 1%	RSM1/4FH0680
73	R43	22K1	Res. 1/4 W 1%	RSM1/4FK22,1
74	C14	1nF	Cond. pol. 1% p. 7mm	CPS102CF630
75	C16	100pF	Cond. ceramico p. 5mm NP0	CKM101BK600C
76	C20	0.1uF	Cond. ceramico p. 5mm P100	CKM104BK600P
77	C25	10uF	Cond. el. ver. 35V p. 2.5mm	CEA106AM350
78	C26	10uF	Cond. el. ver. 35V p. 2.5mm	CEA106AM350
79	C21	0.1uF	Cond. ceramico p. 5mm P100	CKM104BK600P
80	R45	22K1	Res. 1/4 W 1%	RSM1/4FK22,1
81	R46	680H0	Res. 1/4 W 1%	RSM1/4FH0680
82	C18	2.2nF	Cond. pol. 1% p. 7mm	CPS222CF630
83	C15	2.2nF	Cond. pol. 1% p. 7mm	CPS222CF630
84	C17	1nF	Cond. pol. 1% p. 7mm	CPS102CF630
85	C19	100pF	Cond. ceramico p. 5mm NP0	CKM101BK600C
86	R40	10K0	Res. 1/4 W 1%	RSM1/4FK0010
87	R37	10K0	Res. 1/4 W 1%	RSM1/4FK0010

Stereo Coder			Bill Of Materials	Page 4
Item Reference Part		Description		Part Order Code
88	R39	10K0	Res. 1/4 W 1%	RSM1/4FK0010
89	R14	4K99	Res. 1/4 W 1%	RSM1/4FK4,99
90	R15	4K99	Res. 1/4 W 1%	RSM1/4FK4,99
91	R13	14K7	Res. 1/4 W 1%	RSM1/4FK14,7
92	R16	14K7	Res. 1/4 W 1%	RSM1/4FK14,7
93	C9	100uF	Cond. el. ver. 25V p. 2.5mm	CEA107AM250
94	C8	100uF	Cond. el. ver. 25V p. 2.5mm	CEA107AM250
95	R51	10K0	Res. 1/4 W 1%	RSM1/4FK0010
96	R52	10K0	Res. 1/4 W 1%	RSM1/4FK0010
97	R53	10K0	Res. 1/4 W 1%	RSM1/4FK0010
98	R57	39K0	Res. 1/4 W 1%	RSM1/4FK0039
99	R54	8K20	Res. 1/4 W 1%	RSM1/4FK08,2
100	C22	2.2uF	Cond. el. ver. 16V p. 2.5mm	CEA225AM160
101	R47	470K0	Res. 1/4 W 1%	RSM1/4FK0470
102	C23	0.1uF	Cond. ceramico p. 5mm P100	CKM104BK600P
103	Q3	BC557	Tr. in TO 92	TRNBC557
104	R55	8K20	Res. 1/4 W 1%	RSM1/4FK08,2
105	R56	39K0	Res. 1/4 W 1%	RSM1/4FK0039
106	R49	470K0	Res. 1/4 W 1%	RSM1/4FK0470
107	Q4	BC557	Tr. in TO 92	TRNBC557
108	C24	2.2uF	Cond. el. ver. 16V p. 2.5mm	CEA225AM160
109	R19	10K0	Res. 1/4 W 1%	RSM1/4FK0010
110	R20	7K15	Res. 1/4 W 1%	RSM1/4FK7,15
111	R22	2K49	Res. 1/4 W 1%	RSM1/4FK2,49
112	R23	1K78	Res. 1/4 W 1%	RSM1/4FK1,78
113	R26	10K0	Res. 1/4 W 1%	RSM1/4FK0010
114	R27	7K15	Res. 1/4 W 1%	RSM1/4FK7,15
115	R29	2K49	Res. 1/4 W 1%	RSM1/4FK2,49
116	R30	1K78	Res. 1/4 W 1%	RSM1/4FK1,78

Stereo Coder		Bill Of Materials		Page	5
Item Reference Part		Description		Part Order Code	
117	C12	0.1uF	Cond. ceramico p. 5mm P100	CKM104BK600P	
118	RV1	1K	Trim. mult. 3296W rg V	RVTMTJVK0001	
119	JP4	STM03S	Strip M 2.54 3 pin.	CNTSTM03S	
120	JP5	STM03S	Strip M 2.54 3 pin.	CNTSTM03S	
121	JP7	STM03S	Strip M 2.54 3 pin.	CNTSTM03S	
122	R127	1M0	Res. 1/4 W 1%	RSM1/4FM0001	
123	R128	1M0	Res. 1/4 W 1%	RSM1/4FM0001	
124	SW6	SW5940P	Commutatore	SW5940P	
125	U4	4053	CI digitale	CID4053	
126	ZOC4	ZOC16	Zoccolo int. 16 pin	ZIN16	
127	R38	10K0	Res. 1/4 W 1%	RSM1/4FK0010	
128	R32	10K0	Res. 1/4 W 1%	RSM1/4FK0010	
129	R17	4K99	Res. 1/4 W 1%	RSM1/4FK4,99	
130	R24	4K99	Res. 1/4 W 1%	RSM1/4FK4,99	
131	R41	4K99	Res. 1/4 W 1%	RSM1/4FK4,99	
132	R42	4K99	Res. 1/4 W 1%	RSM1/4FK4,99	
133	R21	4K99	Res. 1/4 W 1%	RSM1/4FK4,99	
134	R18	14K0	Res. 1/4 W 1%	RSM1/4FK0014	
135	R25	14K0	Res. 1/4 W 1%	RSM1/4FK0014	
136	R28	4K99	Res. 1/4 W 1%	RSM1/4FK4,99	
137	R48	4K99	Res. 1/4 W 1%	RSM1/4FK4,99	
138	R50	4K99	Res. 1/4 W 1%	RSM1/4FK4,99	
139	R123	10H0	Res. 1/4 W 1%	RSM1/4FH0010	
140	R122	10H0	Res. 1/4 W 1%	RSM1/4FH0010	
141	JP6	STM03S	Strip M 2.54 3 pin.	CNTSTM03S	
142	RV2	20K	Trim. mult. rg H	RVTMTDHK0020	
143	RV3	20K	Trim. mult. rg H	RVTMTDHK0020	
144	R34	10K0	Res. 1/4 W 1%	RSM1/4FK0010	
145	R129	10K0	Res. 1/4 W 1%	RSM1/4FK0010	

Stereo Coder		Bill Of Materials		Page 6
Item Reference Part		Description		Part Order Code
146	R36	82K5	Res. 1/4 W 1%	RSM1/4FK82,5
147	R35P	82K5	Res. 1/4 W 1%	RSM1/4FK82,5
148	HY1	IRV30FT	Filtro Coder IRV30FT	MIBIRV30FT
149	U8	4053	CI digitale	CID4053
150	ZOC8	ZOC16	Zoccolo int. 16 pin	ZIN16
151	U9	4053	CI digitale	CID4053
152	ZOC9	ZOC16	Zoccolo int. 16 pin	ZIN16
153	C30	220uF	Cond. el. ver. 16V p. 2.5mm	CEA227AM160
154	U12	CA3096	CI lineare	CILCA3096
155	ZOC12	ZOC16	Zoccolo int. 16 pin	ZIN16
156	U10	TL072	CI lineare	CILTL072
157	ZOC10	ZOC8	Zoccolo int. 8 pin	ZIN08
158	U13	TL072	CI lineare	CILTL072
159	ZOC13	ZOC8	Zoccolo int. 8 pin	ZIN08
160	U14	LM358N	CI lineare	CILLM358N
161	ZOC14	ZOC8	Zoccolo int. 8 pin	ZIN08
162	C47	10uF	Cond. el. ver. 35V p. 2.5mm	CEA106AM350
163	C28	0.1uF	Cond. ceramico p. 5mm P100	CKM104BK600P
164	Q6	BC547	Tr. in TO 92	TRNBC547
165	R88	10K0	Res. 1/4 W 1%	RSM1/4FK0010
166	R87	10K0	Res. 1/4 W 1%	RSM1/4FK0010
167	R86	10K0	Res. 1/4 W 1%	RSM1/4FK0010
168	D6	1N4148	Diode silicio	DIS1N4148
169	D7	1N4148	Diode silicio	DIS1N4148
170	R59	4K99	Res. 1/4 W 1%	RSM1/4FK4,99
171	R60	4K99	Res. 1/4 W 1%	RSM1/4FK4,99
172	R61	10K0	Res. 1/4 W 1%	RSM1/4FK0010
173	R62	10K0	Res. 1/4 W 1%	RSM1/4FK0010
174	R63	10K0	Res. 1/4 W 1%	RSM1/4FK0010

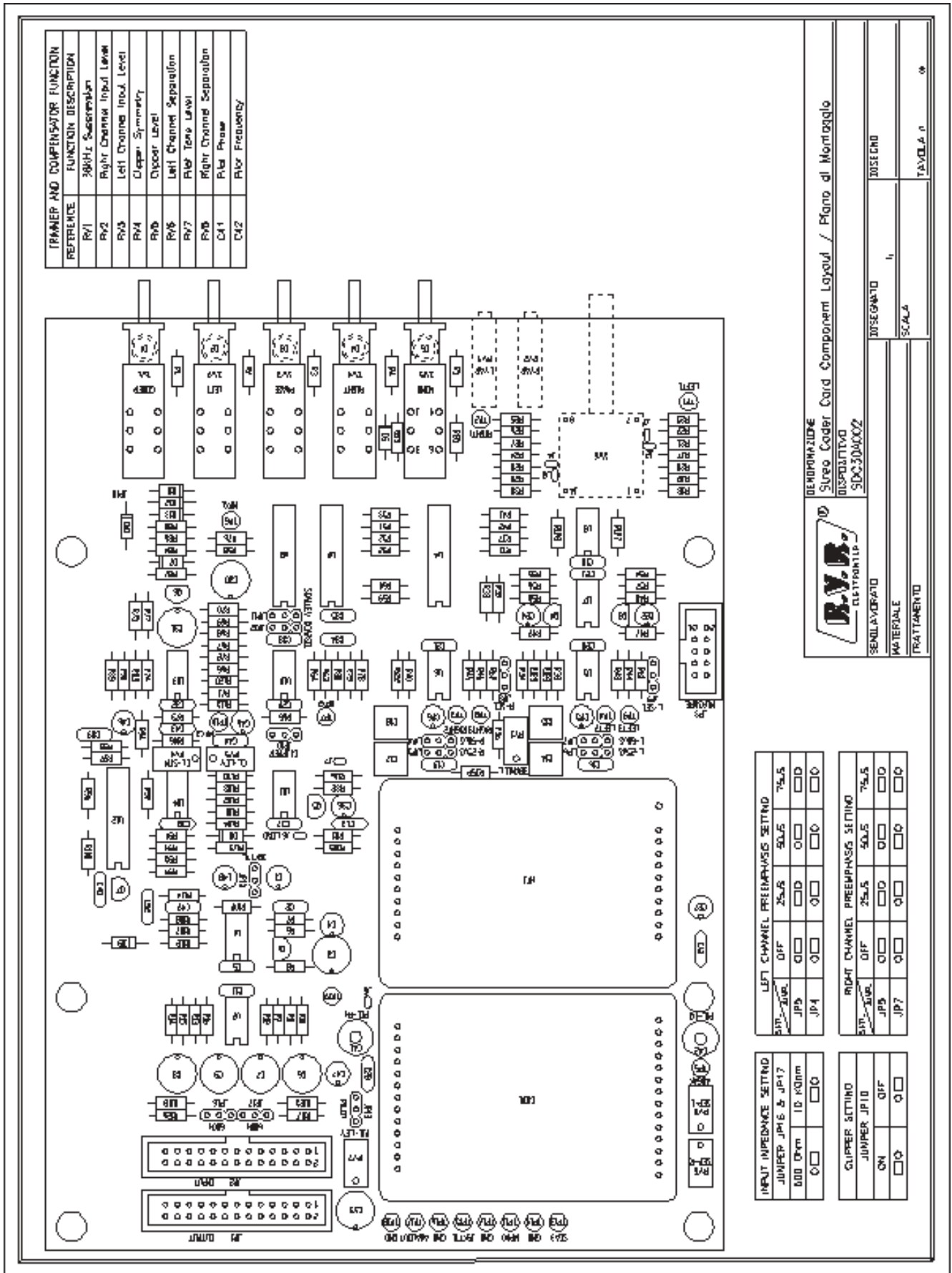
Stereo Coder		Bill Of Materials		Page	7
Item Reference Part		Description		Part Order Code	
175	R64	10K0	Res. 1/4 W 1%	RSM1/4FK0010	
176	C29	0.1uF	Cond. ceramico p. 5mm P100	CKM104BK600P	
177	R65	4K99	Res. 1/4 W 1%	RSM1/4FK4,99	
178	R72	10K0	Res. 1/4 W 1%	RSM1/4FK0010	
179	R66	10K0	Res. 1/4 W 1%	RSM1/4FK0010	
180	C32	0.1uF	Cond. ceramico p. 5mm P100	CKM104BK600P	
181	R71	10K0	Res. 1/4 W 1%	RSM1/4FK0010	
182	R73	10K0	Res. 1/4 W 1%	RSM1/4FK0010	
183	R75	10K0	Res. 1/4 W 1%	RSM1/4FK0010	
184	R74	4K99	Res. 1/4 W 1%	RSM1/4FK4,99	
185	R119	10H0	Res. 1/4 W 1%	RSM1/4FH0010	
186	C31	100uF	Cond. el. ver. 25V p. 2.5mm	CEA107AM250	
187	R77	10K0	Res. 1/4 W 1%	RSM1/4FK0010	
188	R120	10H0	Res. 1/4 W 1%	RSM1/4FH0010	
189	R79	22K0	Res. 1/4 W 1%	RSM1/4FK0022	
190	R78	22K0	Res. 1/4 W 1%	RSM1/4FK0022	
191	R80	22K0	Res. 1/4 W 1%	RSM1/4FK0022	
192	R67	49K9	Res. 1/4 W 1%	RSM1/4FK49,9	
193	R68	49K9	Res. 1/4 W 1%	RSM1/4FK49,9	
194	R69	49K9	Res. 1/4 W 1%	RSM1/4FK49,9	
195	R70	124K0	Res. 1/4 W 1%	RSM1/4FK0124	
196	R83	10K0	Res. 1/4 W 1%	RSM1/4FK0010	
197	R84	10K0	Res. 1/4 W 1%	RSM1/4FK0010	
198	R85	10K0	Res. 1/4 W 1%	RSM1/4FK0010	
199	C39	47pF	Cond. ceramico p. 5mm NP0	CKM470BK600C	
200	R98	2K20	Res. 1/4 W 1%	RSM1/4FK02,2	
201	R97	10K0	Res. 1/4 W 1%	RSM1/4FK0010	
202	R96	47K0	Res. 1/4 W 1%	RSM1/4FK0047	
203	R95	47K0	Res. 1/4 W 1%	RSM1/4FK0047	

Stereo Coder		Bill Of Materials		Page 8
Item Reference Part		Description		Part Order Code
204	Q7	BC557	Tr. in TO 92	TRNBC557
205	C40	47pF	Cond. ceramico p. 5mm NP0	CKM470BK600C
206	R100	2K20	Res. 1/4 W 1%	RSM1/4FK02,2
207	C38	0.1uF	Cond. ceramico p. 5mm P100	CKM104BK600P
208	R91	10K0	Res. 1/4 W 1%	RSM1/4FK0010
209	R93	10K0	Res. 1/4 W 1%	RSM1/4FK0010
210	R92	10K0	Res. 1/4 W 1%	RSM1/4FK0010
211	R94	10K0	Res. 1/4 W 1%	RSM1/4FK0010
212	R90	4K99	Res. 1/4 W 1%	RSM1/4FK4,99
213	C43	0.1uF	Cond. ceramico p. 5mm P100	CKM104BK600P
214	C46	10uF	Cond. el. ver. 35V p. 2.5mm	CEA106AM350
215	C45	10uF	Cond. el. ver. 35V p. 2.5mm	CEA106AM350
216	C44	0.1uF	Cond. ceramico p. 5mm P100	CKM104BK600P
217	R106	1K0	Res. 1/4 W 1%	RSM1/4FK0001
218	R89	4K42	Res. 1/4 W 1%	RSM1/4FK4,42
219	R109	100K0	Res. 1/4 W 1%	RSM1/4FK0100
220	C49	0.1uF	Cond. ceramico p. 5mm P100	CKM104BK600P
221	R108	10K0	Res. 1/4 W 1%	RSM1/4FK0010
222	D9	4V7	Diodo Zener 0.4 W	DIZ4V70W4
223	R76	47K0	Res. 1/4 W 1%	RSM1/4FK0047
224	JP13	STM03S	Strip M 2.54 3 pin.	CNTSTM03S
225	JP15	STM03S	Strip M 2.54 3 pin.	CNTSTM03S
226	JP10	STM03S	Strip M 2.54 3 pin.	CNTSTM03S
227	JP12	STM03S	Strip M 2.54 3 pin.	CNTSTM03S
228	JP11	STM03S	Strip M 2.54 3 pin.	CNTSTM03S
229	R99	10K0	Res. 1/4 W 1%	RSM1/4FK0010
230	R107	10K0	Res. 1/4 W 1%	RSM1/4FK0010
231	R112	2K20	Res. 1/4 W 1%	RSM1/4FK02,2
232	R6	10K0	Res. 1/4 W 1%	RSM1/4FK0010

 Stereo Coder Bill Of Materials Page 9

 Item Reference Part Description Part Order Code

233	R7	10K0	Res. 1/4 W 1%	RSM1/4FK0010
234	C1	10uF	Cond. el. ver. 35V p. 2.5mm	CEA106AM350
235	C2	0.1uF	Cond. ceramico p. 5mm P100	CKM104BK600P
236	C5	0.1uF	Cond. ceramico p. 5mm P100	CKM104BK600P
237	C4	47uF	Cond. el. ver. 16V p. 2.5mm	CEA476AM160
238	C3	47uF	Cond. el. ver. 16V p. 2.5mm	CEA476AM160
239	U1	TL072	CI lineare	CILTTL072
240	ZOC1	ZOC8	Zoccolo int. 8 pin	ZIN08
241	C33	10nF	Cond. ceramico p. 5mm P100	CKM103BK600P
242	C34	10nF	Cond. ceramico p. 5mm P100	CKM103BK600P
243	C35	10nF	Cond. ceramico p. 5mm P100	CKM103BK600P
244	JP9	STM03S	Strip M 2.54 3 pin.	CNTSTM03S
245	JP8	STM03S	Strip M 2.54 3 pin.	CNTSTM03S
246	RV8	50K	Trim. mult. 3296W rg V	RVTMTJVK0050
247	RV6	50K	Trim. mult. 3296W rg V	RVTMTJVK0050
248	RV7	10K	Trim. mult. 3296W rg V	RVTMTJVK0010
249	C41	40pF	Cond. cer. var. dia. 7mm	CVC400BK600
250	C42	20pF	Cond. cer. var. dia. 7mm	CVC200BK600
251	RV4	1K	Trim. mult. 3296W rg V	RVTMTJVK0001
252	RV5	5K	Trim. mult. 3296W rg V	RVTMTJVK0005
253	Q1	BC547	Tr. in TO 92	TRNBC547
254	R8	1K0	Res. 1/4 W 1%	RSM1/4FK0001
255	R58	14K0	Res. 1/4 W 1%	RSM1/4FK0014
256	COD1	IRV30CT	Coder Stereo IRV30CT	MIBIRV30CT



© Copyright 1993
Third Edition - May '97
Created By D'Alessio D. & Morotti M.

R.V.R. Elettronica S.r.l. (Bo)
Via del Fonditore 2/2c - 40138 - Bologna (Italy)
National: Phone 051/601.05.06 r.a. Fax 051/601.11.04
International : Phone +39 51-601.05.06 Fax +39 51-601.11.04

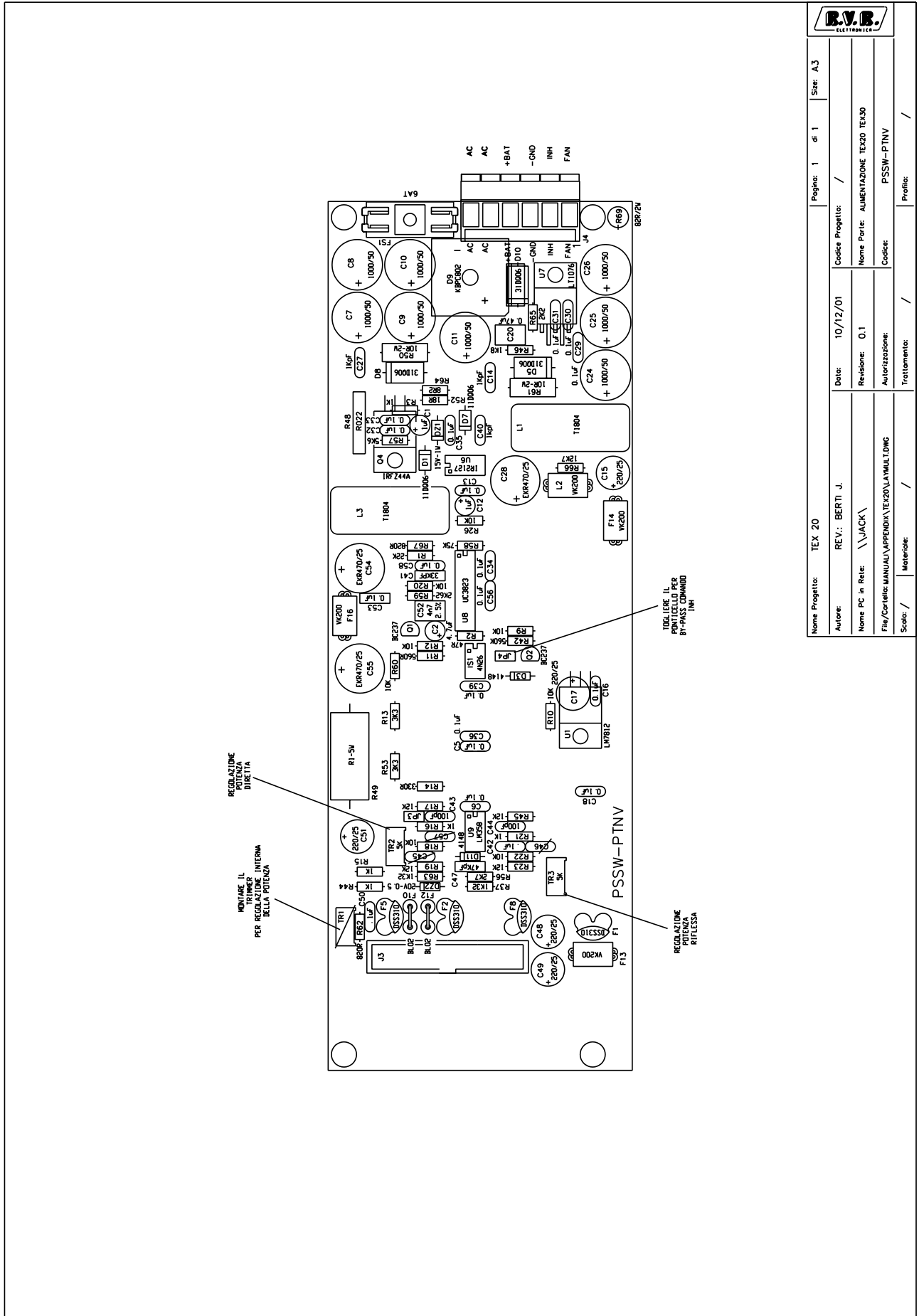
Printed and bound in Italy. All rights reserved. No part of this manual may be reproduced or utilized in any form or by any means, electronic or mechanical, including photocopying, recording, or by any information storage and retrieval system, without permission in writing from the publisher.

Tutti i diritti sono riservati. Stampato in Italia. Nessuna parte di questo libro può essere riprodotta, memorizzata in sistemi di archivio, o trasmessa in qualsiasi forma o mezzo, elettronico, meccanico, fotocopia, registrazione o altri senza la preventiva autorizzazione scritta dell'editore.

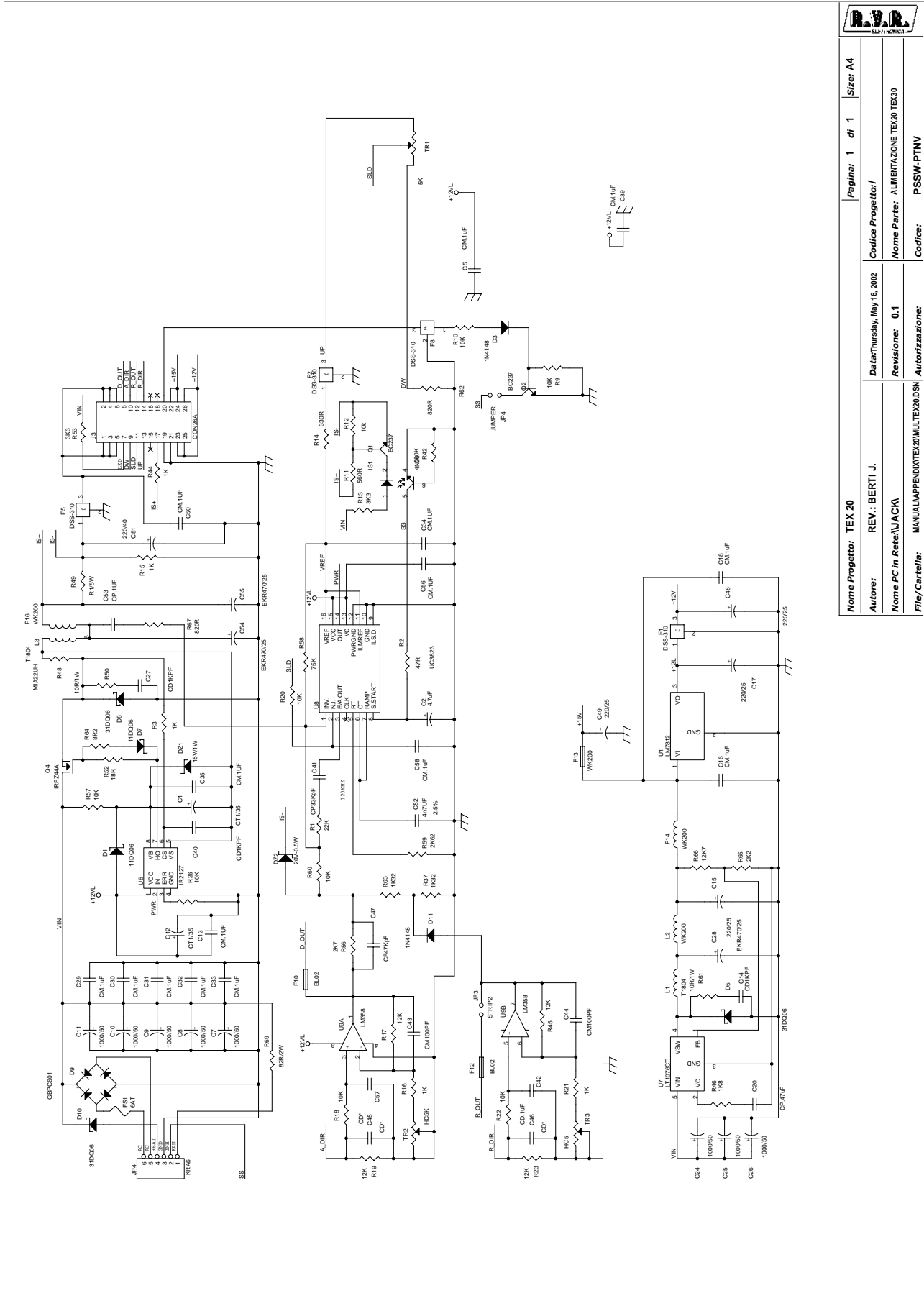
APPENDIX

Description	RVR Code Pages	Vers.
Power Supply	PSSW-PTNV	0.1 6

Pagina lasciata intenzionalmente in bianco



R.V.R. ELETTRONICA	
Nome Progetto: TEX 20	Pagina: 1 di 1 Size: A3
Autore: REV.: BERTI J.	Code Progetto: /
Nome PC in Rete: \\JACK\	Data: 10/12/01
File/Cartella: MANUALI\APPENDICI\TEX20\ATMULT.DWG	Revision: 0.1
Scale: /	Autore: PSSW-PTNV
Modello: /	Trattamento: /
	Profilo: /



Nome Progetto: TEX 20	Pagina: 1 di 1
Autore: REV.: BERTI J.	Size: A4
Nome PC in Rete: \JACKI	Nome Parte: ALIMENTAZIONE TEX20 TEX30
File/ Cartella: MANUALEAPPENDIX\TEX20\MULTI\TEX20.DSN	Revisione: 0.1
	Autore: P.SSW-PTNV

Nome Progetto: TEX 20	Pagina: 1 di 1
Autore: REV.: BERTI J.	Size: A4
Nome PC in Rete: \JACKI	Nome Parte: ALIMENTAZIONE TEX20 TEX30
File/ Cartella: MANUALEAPPENDIX\TEX20\MULTI\TEX20.DSN	Revisione: 0.1
	Autore: P.SSW-PTNV

Item	Q.ty	Reference	Part
1	2	C1,C12	CT1/35
2	1	C2	4.7UF
3	15	C5,C13,C16,C18,C29,C30, C31,C32,C33,C34,C35,C39, C50,C56,C58	CM.1UF
4	8	C7,C8,C9,C10,C11,C24,C25, C26	1000/50
5	3	C14,C27,C40	CD1KPF
6	4	C15,C17,C48,C49	220/25
7	1	C20	CP.47UF
8	3	C28,C54,C55	EKR470/25
9	1	C41	CP33KPF
10	1	C42	CD.1UF
11	2	C43,C44	CM100PF
12	3	C45,C46,C57	CD*
13	1	C47	CP47KPF
14	1	C51	220/40
15	1	C52	4N7UF
16	1	C53	CP.1UF
17	1	DZ1	15V/1W
18	1	DZ2	20V-0.5W
19	2	D1,D7	11DQ06
20	2	D3,D11	1N4148
21	3	D5,D8,D10	31DQ06
22	1	D9	GBPC601
23	1	FS1	6AT
24	4	F1,F2,F5,F8	DSS-310
25	2	F10,F12	BL02
26	4	L2,F13,F14,F16	WK200

27	1	IS1	4N26
28	1	JP3	STRIP2
29	1	JP4	KRA6
30	1	JP4	JUMPER
31	1	J3	CON26A
32	2	L1,L3	T1804
33	2	Q1,Q2	BC237
34	1	Q4	IRFZ44A
35	1	R1	22K
36	1	R2	47R
37	5	R3,R15,R16,R21,R44	1K
38	9	R9,R10,R12,R18,R20,R22, R26,R57,R60	10K
39	1	R11	560R
40	2	R13,R53	3K3
41	1	R14	330R
42	4	R17,R19,R23,R45	12K
43	2	R37,R63	1K32
44	1	R42	560K
45	1	R46	1K8
46	1	R48	MIA22UH
47	1	R49	R1/5W
48	2	R50,R61	10R/1W
49	1	R52	18R
50	1	R56	2K7
51	1	R58	75K
52	1	R59	2K62
53	2	R62,R67	820R
54	1	R64	8R2
55	1	R65	2K2

56	1	R66	12K7
57	1	R69	82R/2W
58	1	TR1	5K
59	1	TR2	HC5K
60	1	TR3	HC5
61	1	U1	LM7812
62	1	U6	IR2127
63	1	U7	LT1076CT
64	1	U8	UC3823
65	1	U9	LM358

Pagina lasciata intenzionalmente in bianco
This page was intentionally left blank