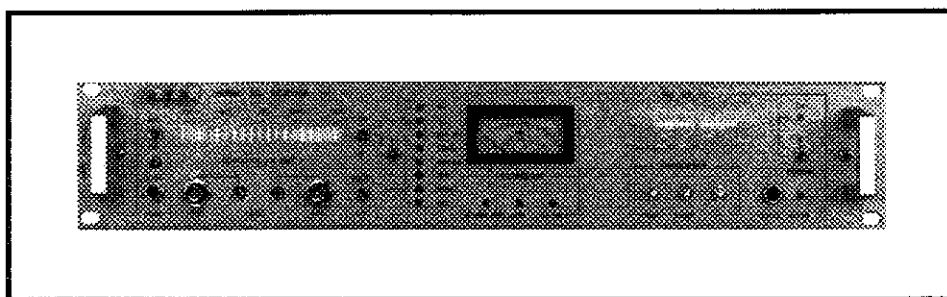

RX1-NV



TECHNICAL AND MAINTENANCE MANUAL
MANUALE TECNICO E DI MANUTENZIONE



Manufactured by R.V.R. Elettronica - Italy

RX1-NV

SYNTHESIZED RECEIVER 50/200MHz

Technical and Maintenance Manual

Manuale Tecnico e di Manutenzione

English

Pag. 3

Italiano

Pag. 43

INDEX

Preliminary Instructions and Warranty Informations	Pag. 5
Safety Regulations	Pag. 7

SECTION 1

General Description	Pag. 10
Electrical Specifications (Table A)	Pag. 12
Dimensional & Environmental Specifications (Table B)	Pag. 13

SECTION 2

Electrical Description	Pag. 14
Front Panel View Description	Pag. 17
Front Panel View (Fig. 1)	Pag. 20
Rear Panel View Description	Pag. 21
Rear Panel View (Fig. 2)	Pag. 23
Top View Description	Pag. 24
Top View (Photo 1)	Pag. 25
Block Diagram (Fig. 3)	Pag. 26

SECTION 3

Installation Procedure	Pag. 27
Recommend Test Equipment (Table C)	Pag. 30

SECTION 4

Maintenance	Pag. 31
-------------	---------

SECTION 5

Calibration Procedure of Modules	Pag. 35
----------------------------------	---------

APPENDIX A

Circuit Diagrams, Bills of Materials and Layouts	Pag. 83
Card Connections	Pag. 84
Power Supply	Pag. 85
Muting Card	Pag. 89

C.P.U.	Pag. 93
Modmeter Card	Pag. 102
I.F. 10.7MHz Card	Pag. 107
Band Pass Filter	Pag. 116
Anameter Card	Pag. 120
Audio Process Card	Pag. 128
Inverter Card (Optional)	Pag. 134
USA Audio Output Card (Optional)	Pag. 138
Mono-Balanced Card (Optional)	Pag. 142

PRELIMINARY INSTRUCTIONS AND WARRANTY INFORMATION

Please observe safety precautions when handling this unit.
This equipment contains dangerous currents and high voltages.

This manual is written as a general guide for those having previous knowledge and experience with this kind of equipment. It is not intended to contain a complete statement of all safety warnings which should be observed by personnel in using this or other electronic equipment.

R.V.R. doesn't assume responsibility for injury or damage resulting from improper procedures or practices by untrained/unqualified personnel in the handling of this unit.

Please observe all local codes and fire protection standards in the operations of this unit.

CAUTION: always disconnect power before opening covers or removing any part of this unit. Use appropriate grounding procedures to short out capacitors and high voltage points before servicing.

Any damage to the goods must be reported to the carrier in writing on the shipment receipt. Any discrepancy or damage discovered subsequent to delivery, shall be reported to R.V.R. within five (5) days from its receipt.

R.V.R. extends to the original end-user purchaser all original manufacturers warranties which are transferable and all claims are to be made directly to R.V.R. per indicated procedures.

All manufacturers warranties will be supported by R.V.R. to ensure precise and speedy service where possible.

R.V.R. shall not be liable for any damage of whatsoever nature, arising out of or in connection with the product or its use thereof.

R.V.R.'s warranty shall not include:

- 1) Re-shipment of the unit to R.V.R. for repair purposes
- 2) Any unauthorized repair/modification
- 3) Incidental/consequential damages as a result of any defect
- 4) Nominal non-incidentals defects
- 5) Re-shipment costs or insurance of the unit or replacement units/parts

Warranty shall come into force from invoice date and for the period of the manufacturer's warranty.

To claim your rights under this warranty:

- a. Contact the dealer or distributor where you purchased the unit. Describe the problem and ask if he has an easy solution. Dealers and Distributors are supplied with all the information about problems that may occur and usually they can repair the unit quicker than what the manufacturer could do. Very often installing errors are discovered by dealers.
- b. If your dealer cannot help you, contact R.V.R. in Bologna and explain the problem. If it is decided to return the unit to the factory, R.V.R. will mail you a regular authorization with all the necessary instructions to send back the goods.
- c. When you receive the authorization, you can return the unit. Pack it carefully for the shipment, preferably using the original packing and seal the package perfectly. The customer always assumes the risks of loss (i.e., R.V.R. is never responsible for damage or loss), until the package reaches R.V.R. premises. For this reason, we suggest you to insure the goods for the whole value. Shipment must be effected C.I.F. (PREPAID) to the address specified by R.V.R.'s service manager on the authorization.

DO NOT RETURN UNITS WITHOUT OUR AUTHORIZATION AS THEY WILL BE REFUSED.

Be sure to enclose a written technical report where mention all the problems found and a copy of your original invoice establishing the starting date of the warranty.

Replacement and warranty parts may be order from the following address. Be sure to include the equipment model and serial number as well as part description and part number.

R.V.R. International S.r.l. - Broadcasting Equipment -
Via del Fonditore, 2/2c
40138 Bologna - Italy

R.V.R. reserves the right to modify the design and specifications of the equipment in this manual without previous notice.

WARNING!

The currents and voltages in this equipment are dangerous!
Personnel must at all times observe safety regulation!

This manual is intended as a general guide for trained and qualified personnel who are aware of the dangers inherent in handling potentially hazardous electrical and electronic circuits.

It is not intended to contain a complete statement of all safety precautions which should be observed by personnel in using this or other electronic equipment.

The installation, operation, maintenance and service of this equipment involves risks both to personnel and equipment, and must be performed only by qualified personnel exercising due care.

R.V.R. ELETTRONICA S.r.l. shall not be responsible for injury or damage resulting from improper procedures or from the use of improperly trained or inexperienced personnel performing such tasks.

During installation and operation of this equipment, local building codes and fire protection standards must be observed.

WARNING!

Always disconnect power before opening covers,
doors, enclosures, gates, panels or shields.
Always use grounding sticks and short out high
voltage points before servicing. never make
internal adjustments, perform maintenance or
service when alone or when fatigued.

Do not remove, short-circuit or tamper with interlock switches on access covers, doors, enclosures, gates, panels or shields.

Keep away from live circuits, know your equipment and don't take chances.

WARNING!

In case of emergency ensure that power has been disconnected

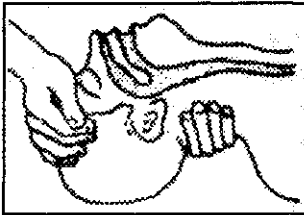
Treatment of electrical Shock

1) If victim is not responsive follow the A-B-C's of basic life support.

PLACE VICTIM FLAT ON HIS BACK ON A HARD SURFACE

A AIRWAY

IF UNCONSCIOUS,
OPEN AIRWAY



LIFT UP NECK,
PUSH FOREHEAD BACK,
CLEAR OUT MOUTH IF NECESSARY,
OBSERVE FOR BREATHING.

B BREATHING

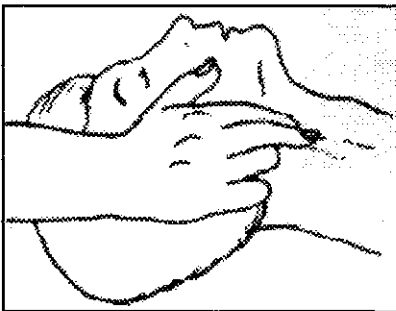
IF NOT BREATHING,
BEGIN ARTIFICIAL
BREATHING



TILT HEAD,
PINCH NOSTRILS,
MAKE AIRTIGHT SEAL,
4 QUICK FULL BREATHS.
REMEMBER MOUTH TO MOUTH
RESUSCITATION MUST BE
COMMENCED AS SOON AS
POSSIBLE.

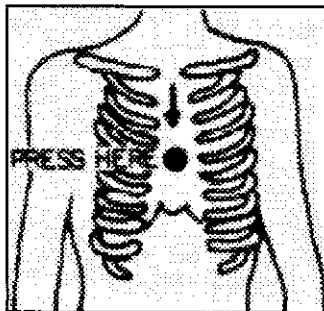
C CIRCULATION

CHECK CAROTID PULSE



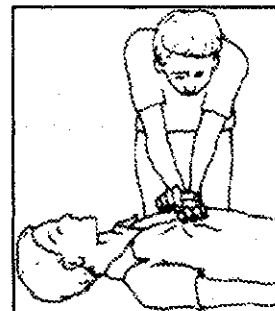
IF PULSE ABSENT,
BEGIN ARTIFICIAL
CIRCULATION

DEPRESS STERNUM 1 1/2" TO 2"



APPROX. 80 SEC. : ONE RESCUER, 15 COMPRESSIONS,
2 QUICK BREATHS.

APPROX. 60 SEC. : TWO RESCUERS, 5 COMPRESSIONS,
1 BREATH



NOTE: DO NOT INTERRUPT RHYTHM OF COMPRESSIONS
WHEN SECOND PERSON IS GIVING BREATH.

Call for medical assistance as soon as possible.

- 2) If victim is responsive.
- Keep them warm.
 - Keep them as quiet as possible.
 - Loosen their clothing (a reclining position is recommended).

FIRST-AID

Personnel engaged in the installation, operation, maintenance or servicing of this equipment are urged to become familiar with first-aid theory and practices. The following information is not intended to be a complete first-aid procedure, it is brief and is only to be used as a reference. It is the duty of all personnel using the equipment to be prepared to give adequate Emergency First Aid and thereby prevent avoidable loss of life.

Treatment of electrical Burns

- 1) Extensive burned and broken skin.
 - a. Cover area with clean sheet or cloth.
(Cleanest available cloth article).
 - b. Do not break blisters, remove tissue, remove adhered particles of clothing, or apply any salve or ointment.
 - c. Treat victim for shock as required.
 - d. Arrange transportation to a hospital as quickly as possible
 - e. If arms or legs are affected keep them elevated.

NOTE

If medical help will not be available within an hour and the victim is conscious and not vomiting, give him a weak solution of salt and soda: 1 level teaspoonful of salt and 1/2 level teaspoonful of baking soda to each quart of water (neither hot or cold).

Allow victim to sip slowly about 4 ounces (half a glass) over a period of 15 minutes.

Discontinue fluid if vomiting occurs (Do not give alcohol).

- 2) Less severe burns - (1st & 2nd degree)
 - a. Apply cool (not ice cold) compresses using the cleanest available cloth article.
 - b. Do not break blisters, remove tissue, remove adhered particles of clothing, or apply salve or ointment.
 - c. Apply clean dry dressing if necessary.
 - d. Treat victim for shock as required.
 - e. Arrange transportation to a hospital as quickly as possible.
 - f. If arms or legs are affected keep them elevated.

SECTION 1

GENERAL DESCRIPTION

1.1 MECHANICAL DESCRIPTION

The RX1-NV is housed in a 2U, 19" rack-mounting chassis comprising a number of interconnected modules mounted internally on the base of the unit.

This allows easy removal and replacement of each module.

The audio output level controls (Mono and Stereo) and meters for various operating parameters are situated on the front panel.

Mains power, I.F. Monitorial Output, R.F. input connectors are mounted on the rear panel.

1.2 ELECTRICAL DESCRIPTION

The RX1-NV is a high quality, broadband, FM receiver with a harmonic distortion better than 0.2%.

The receiver is microprocessor-controlled and synthesized with steps of 10KHz in the 50-200 MHz band.

Furthermore, a 15KHz low-pass filter is provided which may be inserted in the MONO or MPX output.

1.3 METERS AND INDICATORS

The receiver's operating parameters can be measured with the analog multimeter (21 Fig.1) and the led bar-graph display (18 Fig.1) situated on the front panel.

The measurement being made by the analog multimeter is indicated by a led indicator (8 Fig.1) and selectable via the corresponding control (20 Fig.1).

Peak deviation can be measured with the bar-graph display in steps of 5KHz.

The five-figure display (22 Fig.1), mounted centrally, indicates the operating frequency selected by the UP (14 Fig.1) and DOWN (12 Fig.1) controls and saveable with the ENTER (13 Fig.1) control.

Three leds provide indication of VCO locked (10 Fig.1), the presence of a stereo signal (9 Fig.1) and the presence of an SCA signal (11 Fig.1) if the optional decoder is fitted.

1.4 REMOTE FREQUENCY CONTROL

The RX1-NV attains frequency lock within a maximum of 30 seconds after power-up.

An optional serial port (9 pin D-type) is available allowing remote control of operating frequency and audio muting.

1.5 SPECIFICATIONS

Please refer to Table A for the electrical specifications and Table B for the mechanical specifications.

TABLE A**ELECTRICAL SPECIFICATIONS**

A.C. Power	100,120,220 and 240 V $\pm 10\%$ 50-60 Hz, single phase 22W 24 Vdc optional
Cooling	Forced ventilation
Operating frequency	from 50 to 200 MHz in Sub-Bands of 20 MHz
Sensitivity	MPX: 1.00mV or less for 60 dB SNR Mono: 100 μ V or less for 65 dB SNR
Selectivity	± 100 KHz at -3 dB ± 350 KHz at -70 dB
Total harmonic distortion	< 0.2%
Stereo separation	> 40 dB, from 50Hz to 15 KHz
Audio outputs	MPX: +13 dBm, 600 Ohm unbalanced Mono: +13 dBm, 600 Ohm unbalanced
Noise Figure	approx. 6

TABLE B**DIMENSIONAL AND ENVIROMENTAL SPECIFICATIONS**

Chassis dimensions	82 mm (3.22") H 326 mm (12.83") D 445 mm (17.51") W
Panel dimensions	483 mm (19") W 88 mm (3.47") H
Ambient operating temp.	from -10°C to +45°C
Humidity	90% maximum, non-condensing
Weight	17.8 Lbs (8 Kg)

SECTION 2

ELECTRICAL DESCRIPTION

2.1 INTRODUCTION

This section describes, in detail, the operating theory of the RX1-NV.

To aid understanding, the unit has been subdivided into blocks, each of which is fully described below.

A block diagram is shown in fig. 3.

2.2 POWER SUPPLY

This circuit consists of 1 board mounted on the right side of the chassis base (2 Photol).

The supply is designed to accept line voltages of 100V, 120V, 220V and 240V $\pm 10\%$ (24Vdc optional) at a frequency of 50-60 Hz.

The power supply generates the stabilized voltages required by the various modules comprising the RX1-NV.

After having undergone filtering for mains-borne interference, the supply is transformed to lower voltages, rectified, smoothed and stabilised for the following outputs: +5V, +15V and -15V.

The +5V output supplies the CPU card, whilst the $\pm 15V$ outputs supply the CPU card, the Modmeter card, the Anameter cards 1 and 2, the Audio Process card, the IF 10.7 MHz card and the Muting card.

All supply voltages may be monitored by the analog multimeter.

2.3 CPU

The CPU is housed in a metal box and mounted on the right side of the front panel (4 Photol).

This circuit converts the number corresponding to the selected operating frequency into binary code which is written to the programmable dividers of the PLL.

This allows the VCO to lock to the desired operating frequency.

Several of the receiver's parameters may be remotely controlled via an optional 9 pin D-type serial port.

In the absence of mains power, a non-volatile memory maintains indefinitely the last frequency that was programmed.

2.4 MODMETER CARD

This card is mounted on the left side of the front panel (6 Photol).

This circuit allows the deviation of the signal received by the Audio Process card to be displayed by rectifying the audio signal.

The card has two BNC connectors; one for the mono signal and the other for the stereo signal.

A switch allows the gain of the measuring circuit to be set to 10% or 100% for a more precise reading of low-level deviation (eg. SCA, RDS, pilot tones).

Another switch sets the display mode to bar-graph or peak mode. The display comprises 14 green leds and 6 red leds.

In the 100% display mode, each led represents 5KHz of deviation with the first red led representing 75KHz and full scale at 100KHz.

In the 10% mode, each led represents 0.5KHz of deviation.

2.5 ANAMETER CARD

This circuit comprises two cards and a meter mounted centrally on the front panel (5 Photo1).

This sub-assembly displays the values of various operating parameters of the receiver: internal voltages and signal levels of MONO, MPX, STEREO, SCA, CENTER (signal centering) and SIGNAL (signal amplitude).

The parameters are selected by a lever switch (20 Fig.1) and the selection is indicated by the legend of the green led (8 Fig.1).

The readings are taken using the corresponding scale:

MEASUREMENT	SCALE	FSD
Internal voltages	V	30 V
Signal levels	V	1 mV

Three green leds indicate the presence of a STEREO signal, VCO lock and the presence of a SCA signal (SCA PRES. and STEREO PRES. leds are working only with the option decoder fitted).

2.6 AUDIO PROCESS CARD

This card is mounted in the rear of the metal container situated in the center of the unit (10 Photo1).

The Audio Process card processes the various audio signals such as MONO, MPX, SCA and RDS coming from the IF 10.7MHz card.

Furthermore, it supplies these processed signals to the various instruments found on the Anameter and Modmeter cards.

The card also provides a signal for the Muting card which displays the muting status and allows the adjustment of the intervention threshold (factory calibrated to approx. -83 dBm).

2.7 IF 10.7 MHz CARD

This card is mounted at the front of the metal container situated in the center of the unit (7 Photo1).

This circuit is a single-conversion receiver and receives a 10.7 MHz input which is been filtered through the Band-pass input filter; then, this signal is filtered, amplified and then mixed with a signal generated by a VCO phase-locked with PLL contained in this card.

The resultant 10.7 MHz signal, being the difference of the above

frequencies, is twice filtered and amplified and supplied to the Audio Process card for processing.

The VCO is mounted on this card, enclosed in a metal container.

This circuit reads the binary equivalent of the frequency supplied by the CPU.

Its operation requires an external divider to process the information received and sent on to the PLL.

The PLL compares the reference signal to the VCO signal and uses the difference to lock the VCO to the operating frequency.

2.8 MUTING CARD

This card is mounted on the right side of the front panel and allows adjustment of the receiver's muting threshold (= -83 dBm of default) and displays the muting status with a led (16 Fig.1).

2.9 BAND-PASS FILTER

This filter is contained in a metal box mounted on the left side of the rear panel of the receiver (8 Photol).

This idle circuit filters the RF input signal and supplies it to the IF 10.7 MHz card.

FRONT PANEL VIEW DESCRIPTION (Fig. 1)

1	LEVEL HEAR	Hear level trimmer
2	HEAR	Hear jack
3	MONO	Mono output connector, BNC type
4	MONO LEVEL TRIMMER	Mono Level Trimmer
5	STEREO LEVEL TRIMMER	Stereo Level Trimmer
6	MPX	Stereo output connector, BNC type
7	ON/OFF LPF\15KHz	ON/OFF Low Pass Filter selector
8	LEDS	Light indicator indicated which parameter of the receiver is being displayed on the analog meter
9	STEREO PRES.	STEREO signal led indicator (only with STEREO internal decoder included)
10	LOCK	This indicator will light when the VCO is locked to the reference frequency.
11	SCA PRES.	SCA signal led indicator (only with SCA internal decoder included)

12	DOWN	Control frequency display. Any momentary pushes causes the digit to go down 10KHz a time
13	ENTER	Enters the frequency on the display into microprocessor and memory. Once entered, the frequency is stored until a new frequency is entered on the front panel even if the power is turned off for several days
14	UP	Controls the display frequency in the same way as the "DOWN" button, except that the frequency goes up in 10KHz steps
15	LEVEL MUTING	Muting Level Trimmer
16	MUTING	Muting led indicator
17	BAR/DOT	Selector of operation mode (BAR/DOT) for deviation meter
18	DEVIATION	Deviation meter by "Led Diode Bar"
19	x1/x10	Expansion of modulation meter scale Pos. X1 - Full scale shows 100%. Pos. X10 - Full scale shows 10%
20	METER SELECTOR	Pushing the switch each time will light on led at a time in upward direction

21	METER	Analog meter used to monitor the parameters of the receiver such as: +15V +5V EXT 24V SIGNAL CENTER SCA MONO MPX
22	FREQUENCY DISPLAY	Frequency indicator
23	ON	ON/OFF Power Switch Led
24	POWER	ON/OFF Power Switch

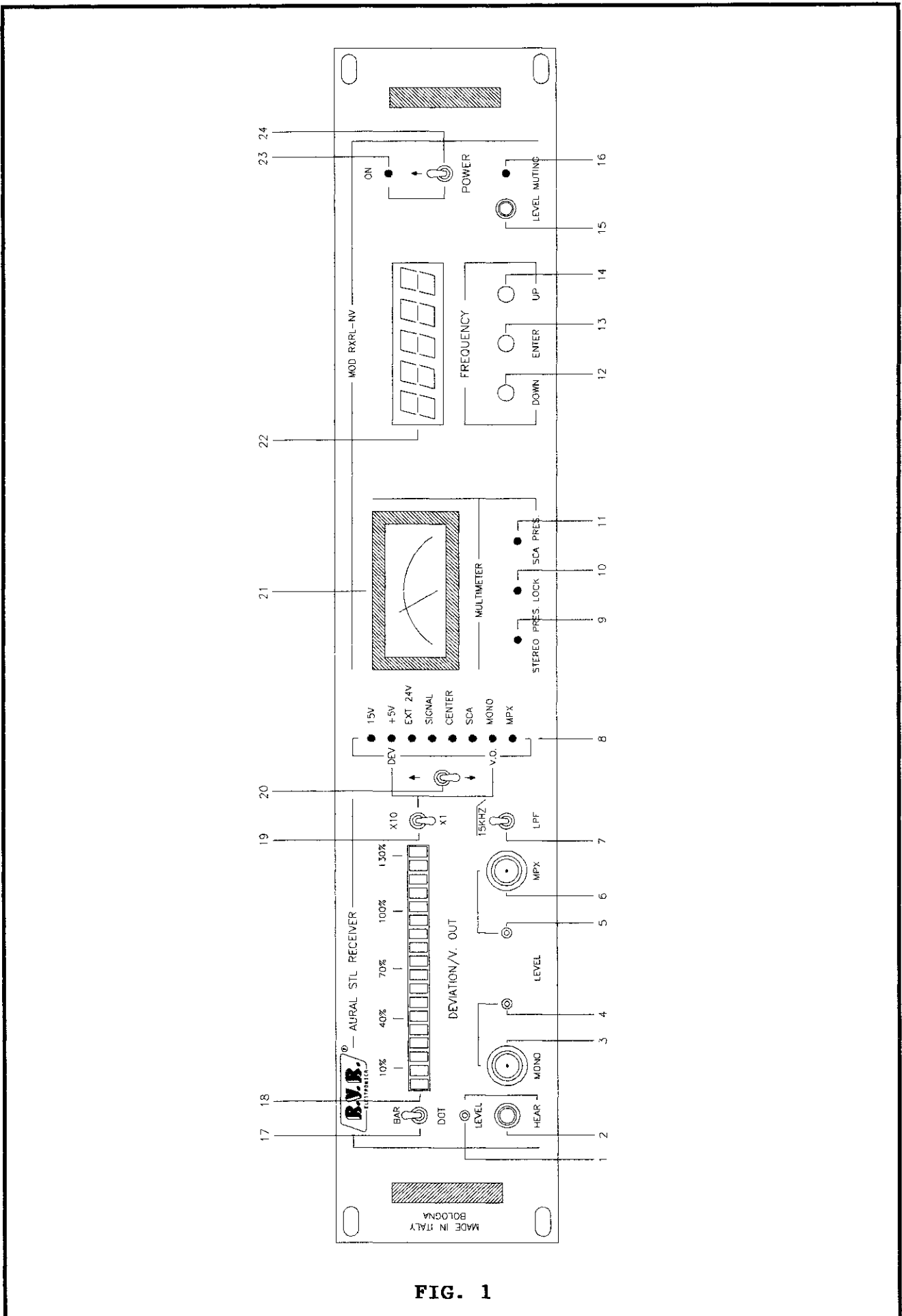


FIG. 1

REAR PANEL VIEW DESCRIPTION (Fig. 2)

- | | | |
|---|------------------------|---|
| 1 | PLUG | A.C. power plug |
| 2 | FUSE BLOCK | Fuse Block & Voltage Setting. Use a small screwdriver to change fuse or voltage setting. Turn block and place desired operating voltage next to arrow |
| 3 | REMOTE CONTROL | DB9 communication line to control or receive status of the receiver. Baud rate is 1200 Baud. On request, it may be changed to 300, 600 or 2400 baud. A program is available on 5 1/4" or 3 1/2" disk for IBM® or compatible Plug is a standard DB9 female
Pin 1 Not Connected
Pin 2 TXD
Pin 3 RXD
Pin 4 DSR *
Pin 5 GND
Pin 6 DTR *
Pin 7 CTS \$
Pin 8 RTS \$
Pin 9 Not Connected
* DSR and DTR are connected together
\$ CTS and RTS are connected together |
| 4 | EXT 24V (+) (Optional) | Positive terminal for EXT 24V (Optional) |
| 5 | EXT 24V (-) (Optional) | Negative terminal for EXT 24V (Optional) |

6	U.S.A. AUDIO OUTPUT	U.S.A. audio outputs for telemetry (Optional)
7	FAN	Cooling fan
8	TEST POINT 10.7MHz	Test point connector 10.7MHz
9	VOLTAGE REGULATOR 1	Voltage regulator for +5V
10	VOLTAGE REGULATOR 2	Voltage regulator for +15V
11	R.F. INPUT	50 Ohm, "N" Connector

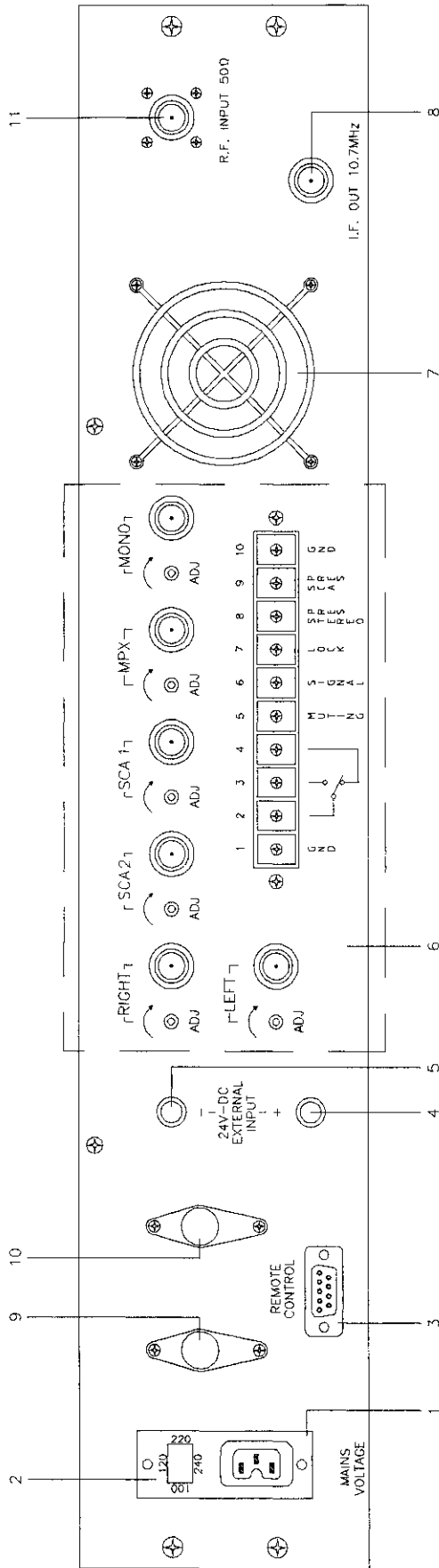


FIG. 2

TOP VIEW DESCRIPTION (PHOTO 1)

- 1 Supply Socket
- 2 Power Supply
- 3 Transformer
- 4 C.P.U.
- 5 Anameter Board
- 6 Modulation Meter & Mono/Mpx Output Board
- 7 IF 10.7 MHz Card
- 8 Band-pass Filter
- 9 Fan
- 10 Audio Process Card

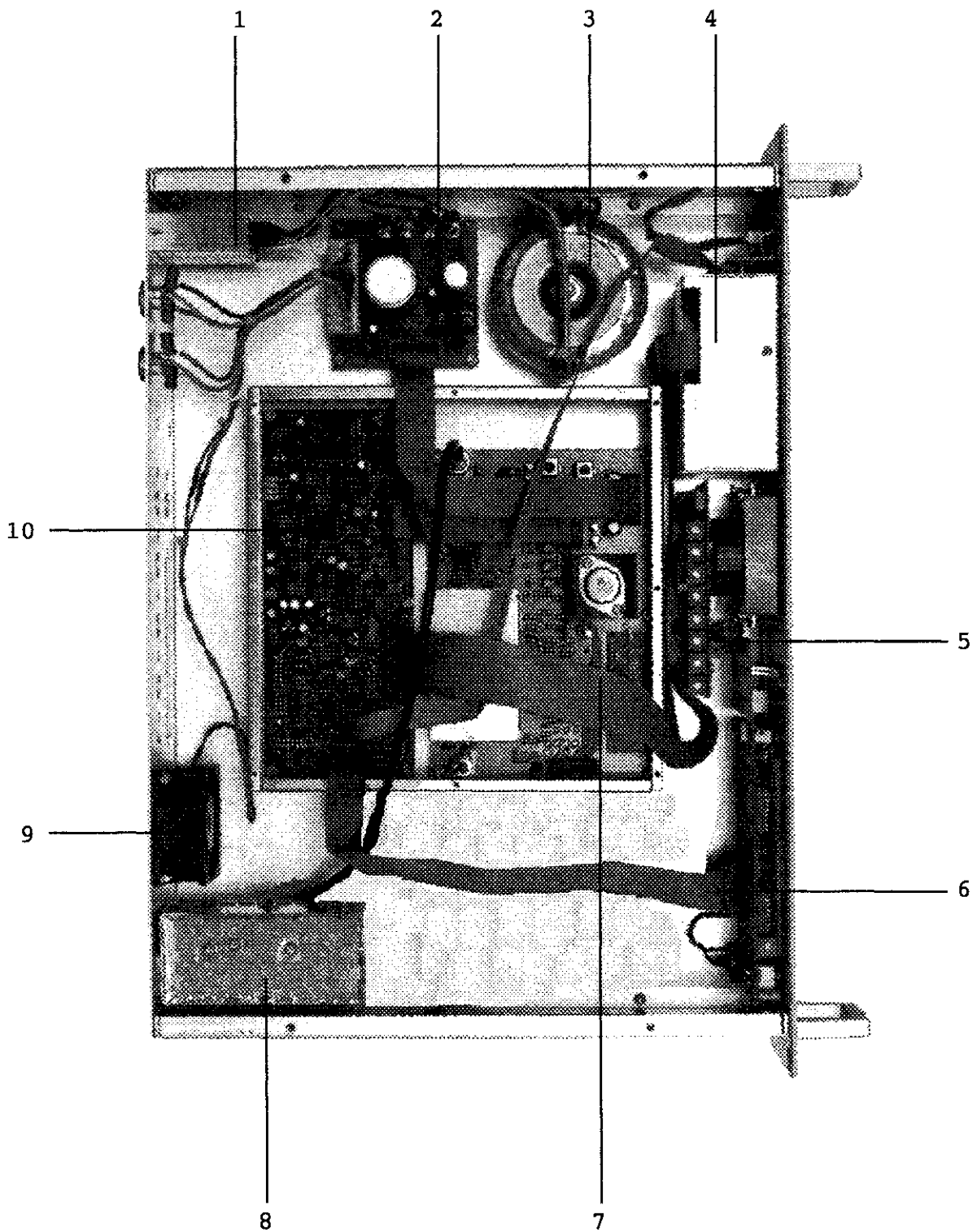


PHOTO 1

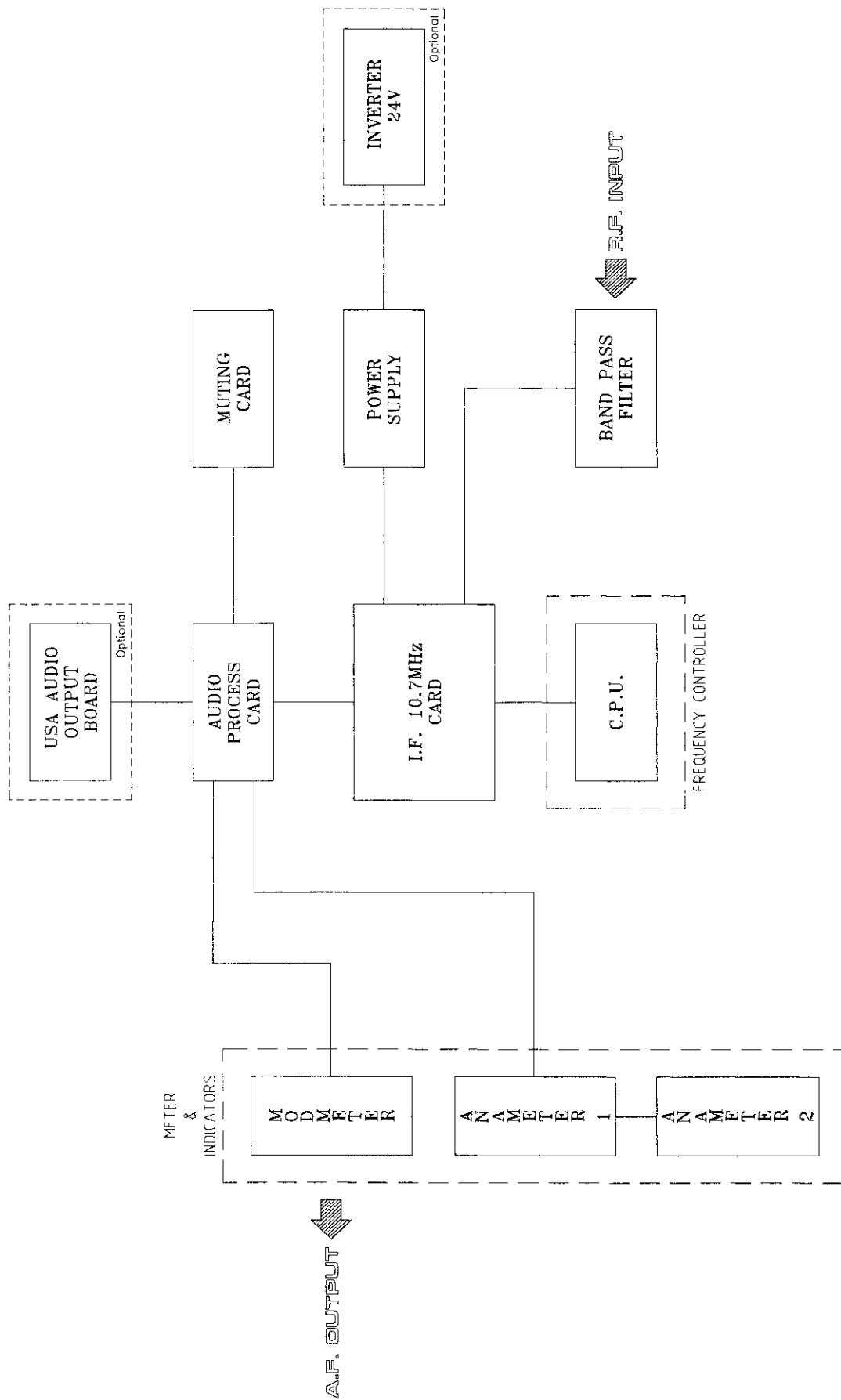


FIG. 3

SECTION 3**INSTALLATION PROCEDURE****3.1 INTRODUCTION**

This chapter contains the information required to install the RX1-NV and carry out preliminary checks.

3.2 UNPACKING

Remove the unit from its packing and, before anything else, ensure that the unit has not suffered any damage during transit and that all front and rear panel controls are operational.

3.3 INSTALLATION

To install the RX1-NV receiver, carry out the following procedure:

- 1) This receiver is able to operate from 4 different supply voltages: 100, 120, 220 or 240Vac, at 50-60Hz.
First of all select the correct supply voltage using the selector situated on the rear panel; use a screwdriver to raise the cover (2 Fig.2) on which are written the various voltages, rotate it until the arrow points to the correct voltage and re-insert it.
Check that a fuse is fitted to the cover and that its value corresponds to the following:

220-240Vac	1 A
100-120Vac	2 A

- 2) Ensure that the antenna is correctly fitted to the R.F. input (11 Fig.2) situated on the receiver's rear panel.
- 3) Switch the power switch (24 Fig.1) to the OFF position.
- 4) Connect power to the unit via the VDE socket (1 Fig.2).

NOTE: It is essential that the unit be properly earthed to ensure both the safety of the operator as well as the correct functioning of the equipment.

- 5) Switch the power switch to the ON position and check that the green POWER ON led (23 Fig.1), and the green led corresponding to the parameter selection SIGNAL (8 Fig.1), are both lit.
After a few seconds the frequency display (22 Fig.1) will come on and display a number (eg. 108.00) corresponding to the last operating frequency to have been programmed.
The green LOCK led should switch on within 30 seconds indicating

that the oscillator has locked to the operating frequency displayed. The display has five digits, 3 before the decimal point representing (from left to right) hundreds of MHz, tens of MHz and Mhz; and 2 after the decimal point representing hundreds and tens of KHz. To change this number, use the UP (14 Fig.1) and DOWN (12 Fig.1) buttons to respectively increase it and decrease it.

Once the desired frequency has been found, press ENTER (13 Fig.1) to confirm and save it.

As soon as the ENTER button has been pressed, the LOCK led will switch off (providing that the new frequency is different from the old), indicating that the VCO is re-tuning to the new frequency.

If the ENTER button is not pushed, the display will flash the new value four times and then reset to the previous value.

NOTE: The receiver will continue to function normally at the same frequency, throughout the procedure described above, until the ENTER button is pressed.

Note that a momentary press of the UP and DOWN buttons will increment or decrement the rightmost digit by 1 (corresponding to a frequency change of 10KHz).

A longer press of either button will cause the display to increment or decrement continuously until the button is released.

Furthermore, when the limit of the operating frequency band is reached, the displayed frequency will jump to the other limit and carry on changing in the direction corresponding to the button being pushed.

NOTE: The frequency band is pre-defined by the user and rarely exceeds 20 MHz)

Example: Band 87.5-108 MHz:

UP button pressed:	107.99	108.00	87.50	87.51
DOWN button pressed:	87.51	87.50	108.00	107.99

After the PLL has been locked for about 90 seconds, the display turns off automatically.

To switch it on, press the ENTER button.

- 6) Connect an audio analyzer to the MONO (3 Fig.1) or MPX outputs (6 Fig.1).
Using an R.F. signal generator, inject a carrier at the receiver's operating frequency into the R.F. input of the receiver, at a level of -47dBm.
Modulate the carrier with a 400Hz tone at a deviation of ± 75 KHz. Check that the analog meter (21 Fig.1) displays a reading of 1mV.
- 7) Select CENTER with the selector (20 Fig.1) and check that the received signal is centered.
- 8) Deviation meter check.
Set the modulation display gain (20 Fig.1) to 130% f.s.d.

Connect an audio analyzer to the MONO output (3 Fig.1).
Check that the bar-graph display (18 Fig.1) lights up to the first red led, indicating 100% deviation (equivalent to 75 KHz).
With the DOT/BAR switch in the BAR position, all the green leds and the first red led should be on; in the DOT position only the first red led will be on.

Check that the audio analyzer reads +13dBm.
This procedure should be followed first for the MONO output and then for the MPX output.

- 9) Inject a signal with a level of -83 dBm and adjust the MUTING trimmer R2 (15 Fig.1) until the red muting led switches on. The audio signal will be automatically disabled and the Modmeter bar-graph display will go out.
Using a pair of headphones, check that the audio has indeed been disabled and that no signal remains audible.
If the audio level rises, the MUTING led will go out and reception will continue as before.
- 10) The correct functioning of the STEREO PRES. led can only be verified if the optional Stereo Decoder is fitted.
Similarly, the SCA PRES. led can only be checked if an optional SCA decoder is fitted and a SCA signal is being received.

TABLE C

RECOMMENDED TEST EQUIPMENT

INSTRUMENT	MODEL	SPECIFICATION
Non-Inductive Dummy Load	Bird	50 Ohm P>10W
Spectrum Analyzer	Advantest Mod. R4131D	10KHz-3.5GHz
F.M. Modulation Meter	R/S Mod. F.A.M.	
Digital multimeter	Mod. Metrix	
Bypass Wattmeter	Bird Mod. 43	50 Ohm
Stereo Decoder	A.E.V. Mod. SMD	Stereo separation >60 dB 30Hz to 15 KHz
Low distortion A.F. generator	Krohn-Hite	THD < 0.001%
Oscilloscope	Tektronix Mod. 2247A	
R.F. generator	R/S SMPD	5 KHz / 2720 MHz
Audio Analyzer	Panasonic Mod. VP7722A	

SECTION 4

MAINTENANCE

4.1 SAFETY REQUIREMENTS

WARNING WARNING WARNING WARNING WARNING WARNING WARNING WARNING

When the receiver is operational, removing the top panel will expose lethal voltages on the line voltage selector. Use insulated tools for any type of adjustment and do not touch any internal component with the unit switched on.

Ensure that the unit is disconnected from all sources of power before carrying out any inspection or maintenance work.

MAINTENANCE LEVEL 1

4.2 ROUTINE MAINTENANCE

The only routine maintenance required by the RX1-NV is the periodic replacement of the cooling fan and the removal of accumulated dust. The period between such action will depend on ambient operating conditions such as temperature, air-borne dust levels and humidity. It is advisable to check the unit every 6 months and to replace noisy or worn fans.

Fans should be replaced as a matter of course after no more than 18 months of operation.

MAINTENANCE LEVEL 2

4.3 CPU REPLACEMENT

- 1) Open the top cover of the unit.
- 2) Disconnect connectors CN1 and CN1 that connect the CPU to the P.L.L. card and the RS232 C connector, respectively.
- 3) Undo the screws holding the front panel in place.
- 4) Undo the nuts holding the front panel switches in place and remove the CPU.
- 5) Remove the card with great care.
- 6) Undo the screws holding the CPU's protective metal container, and remove the cards.

4.4 ANAMETER CARD REPLACEMENT

- 1) Open the top cover of the unit.
- 2) Undo the front panel fixing screws.
- 3) Disconnect connector CN1 connecting the Anameter card to the Audio Process card.
- 4) Undo the nut holding the selector switch in place on the front panel.
- 5) Unscrew the nuts holding the card to the meter.
- 6) Remove the card with great care.

4.5 MODMETER CARD REPLACEMENT

- 1) Open the top cover of the unit.
- 2) Disconnect connector CN1.
- 3) Undo the front panel fixing screws.
- 4) Disconnect the 2 pole connector connecting the Modmeter card to the LEVEL HEAR connector situated on the front panel.
- 5) Undo the MONO and MPX connector fixing nuts and the switch fixing nuts on the front panel.
- 6) Slide the card out with great care.

4.6 POWER SUPPLY REPLACEMENT

- 1) Open the top cover of the unit.
- 2) Disconnect connector CN6.
- 3) Disconnect the connector block CN5.
- 4) Take careful note of the position of each cable with reference to its color.
- 5) Disconnect the faston connectors (CN1, CN2, CN3, CN4) connecting the transformer to the bridge rectifier.
- 6) Remove the screws fixing the card to the chassis.
- 7) Remove the Power Supply with great care.

4.7 MUTING CARD REPLACEMENT

- 1) Open the top cover of the unit.
- 2) Disconnect connector CN0.
- 3) Undo the nut fixing the LEVEL MUTING trimmer to the front panel.
- 4) Remove the Muting card with great care.

4.8 AUDIO PROCESS CARD REPLACEMENT

- 1) Open the top cover of the unit.
- 2) Open the cover of the metal container which protects the Audio Process card and the 10.7 MHz IF card.
- 3) Take note of the positions of the various connectors of the Audio Process and 10.7 MHz IF cards.
- 4) Disconnect connectors CN1, CN2, CN3 and CN4 from the Audio Process card and connectors CN2, CN3, CN4, CN5 and CN6 from the 10.7 MHz IF card, the latter to facilitate removal.
- 5) Undo the nuts holding the card in place and remove the card with the great care.

4.9 IF 10.7 MHz CARD REPLACEMENT

- 1) Open the top cover of the unit.
- 2) Open the cover of the metal container which protects the Audio Process card and the IF 10.7 MHz card.
- 3) Take note of the positions of the various connectors of the Audio Process and IF 10.7 MHz cards.
- 4) Disconnect connectors CN1, CN2, CN3 and CN4 from the Audio Process card and connectors CN2, CN3, CN5, CN5 and CN6 from the IF 10.7 MHz card.
- 5) Undo the nuts holding the 70MHz IF card in place.
- 6) Remove the card with great care.

4.10 FRONT-END (BAND PASS FILTER) REPLACEMENT

- 1) Open the top cover of the unit.
- 2) Disconnect connectors CN1 and CN2 of the Front-End.
- 3) Desolder the alimentation wire connected to capacitor C16.
- 4) Unscrew the screws fixing the Front-End.
- 5) Remove the Front-End with great care.

SECTION 5

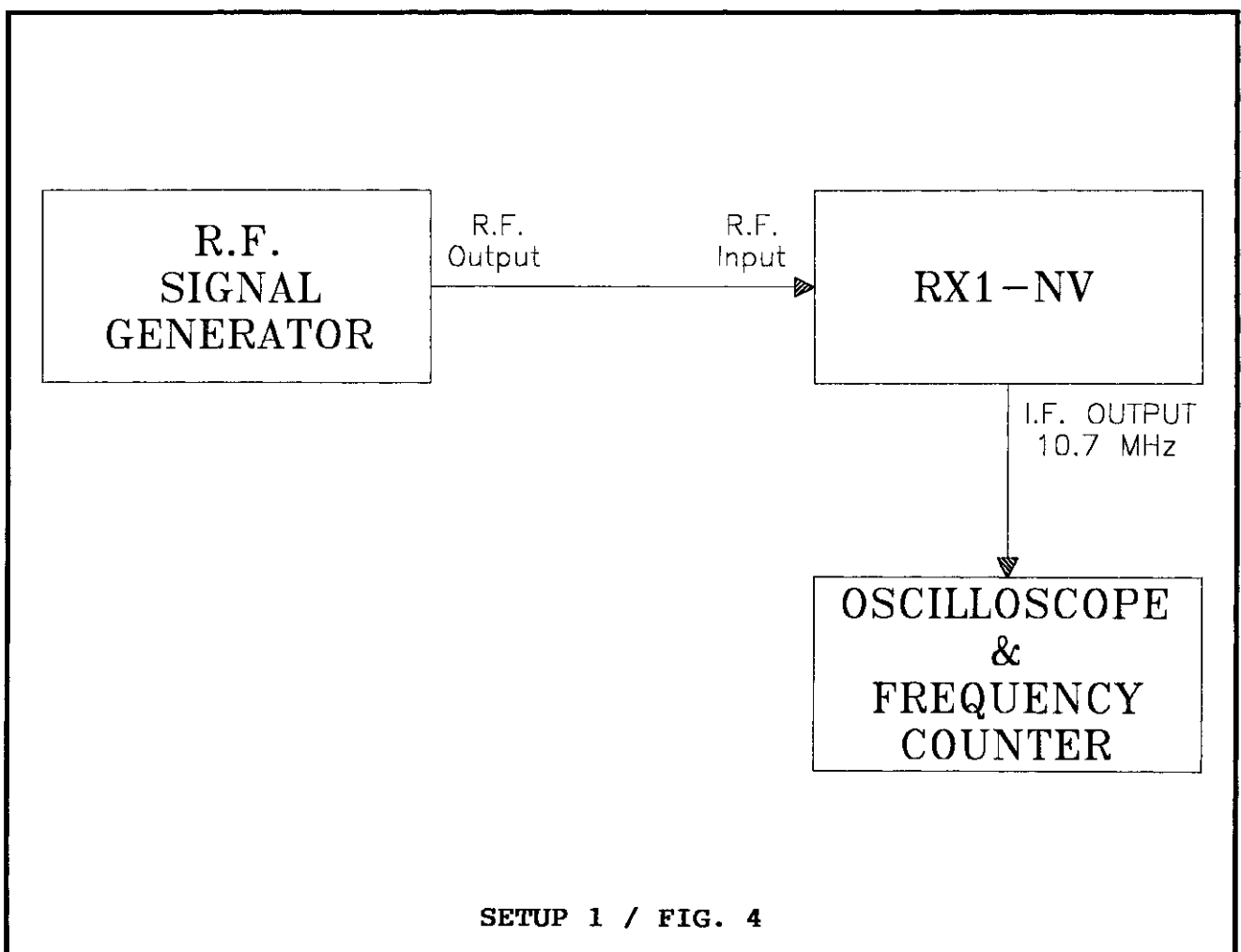
CALIBRATION PROCEDURE OF MODULES

5.1 INTRODUCTION

TO ENSURE AN ACCURATE CALIBRATION OF THE RECEIVER, ALLOW THE UNIT TO REACH NORMAL OPERATING TEMPERATURE BEFORE CALIBRATION.

5.2 CALIBRATION OF THE FRONT-END (BAND PASS FILTER)

To carry out this procedure, configure the unit as detailed in SETUP1 (Fig.4):



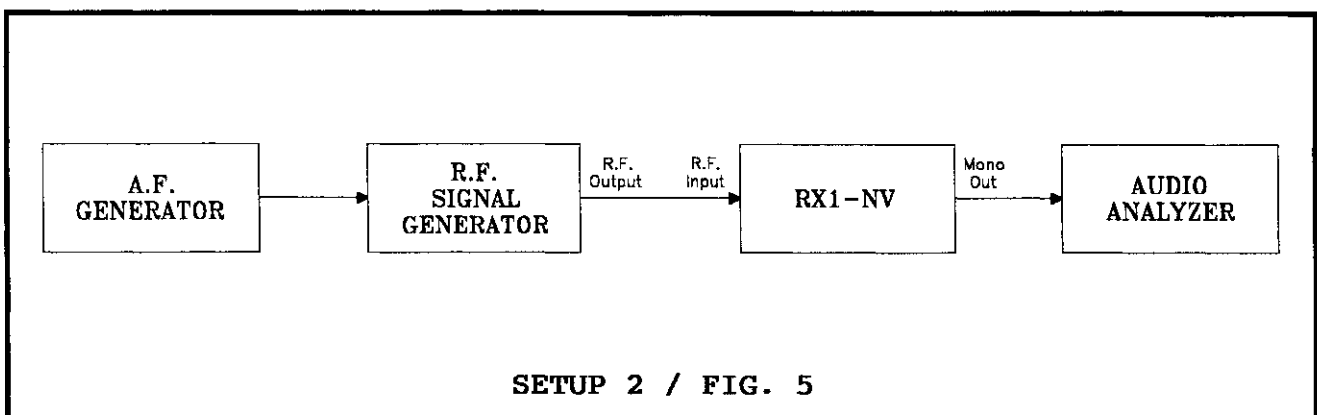
- 1) Use an R.F. signal generator to inject a -20dBm signal into the R.F. input of the receiver.
- 2) Using an oscilloscope to maximize the level of the 10.7MHz IF signal, verifying the exact frequency too (if the frequency isn't corrected, adjust the compensator CV1 and CV2 placed on the IF 10.7MHz card). To maximize the level of the 10.7MHz If signal, adjust the four compensator (C1, C2, C3, C4) on the Front-End.

- 3) Gradually reduce the level of the injected R.F. signal continuing to adjust for the maximum 10.7MHz ID signal level. Repeat this operation until the injected signal level is less than -47dBm (1mV).
- 4) With an R.F. input level of -47dBm, having adjusted the compensator on the Front-End, check that the 10.7MHz If signal level is approx. 100mVpp.
- 5) To execute a more precise adjustment, decrease ulteriorly the R.F. input signal (until -67dBm).

5.3 CALIBRATION OF THE 10.7MHz IF STAGE

To carry out this procedure, configure the unit as detailed in SETUP1 (Fig.4/Pag.35):

- 1) Use an R.F. signal generator to inject a -47dBm signal into the R.F. input of the receiver.
- 2) Using a frequency meter, check the accuracy of the 10.7MHz IF (10.700MHz is acceptable). Adjust if necessary using compensator CV1 and CV2 situated in the PLL circuit on the IF 10.7MHz card.
- 3) Using an oscilloscope, adjust TR1 and the TR2, situated on the card, to maximize the 10.7MHz IF signal level.
- 4) Check that the amplitude of the 10.7MHz IF signal is still 100mVpp, and if not, adjust P1 accordingly (take care adjusting P1 not to increase distortion levels).
- 5) Now configure the receiver as detailed in SETUP2 (Fig.5)

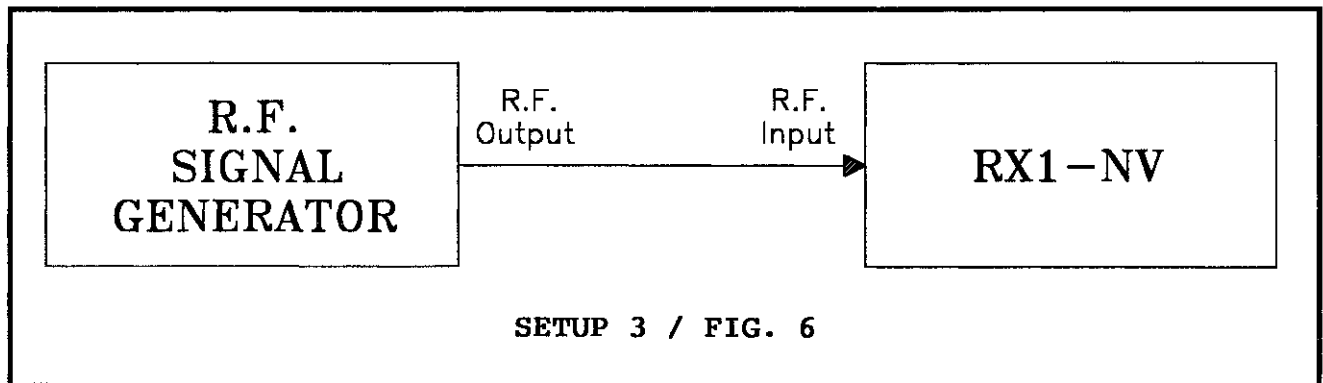


- 6) Inject a 400Hz tone into the R.F. generator and modulate it with a deviation of ± 75 KHz. The resultant output should be fed to the R.F. input of the receiver.
- 7) Check that the MONO (R42) and STEREO (R41) trimmers, situated on the front panel, are in the maximum position.

- 8) Measure the MONO signal level output by the receiver into the audio signal analyzer.
- 9) Adjust TR3 for the maximum value and TR4 for the minimum.
- 10) Set the audio analyzer to measure audio distortion percentage with a low-pass filter at 30 KHz.
- 11) Adjust TR3 and TR4, alternately, to obtain the minimum MONO distortion figure (typically 0.08%).
Having optimized the MONO figure, the STEREO figure should also be optimized (typically 0.2%).
If this is not the case, adjust P1, TR1 and TR2, taking care not to reduce excessively the amplitude of the IF 10.7 MHz signal.

5.4 CALIBRATION OF THE MUTING CARD

To carry out this procedure, configure the unit as detailed in SETUP3 (Fig.6).



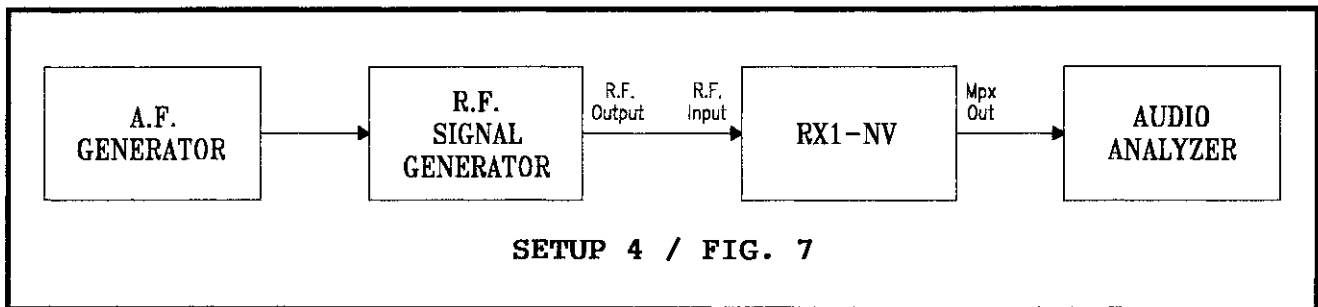
- 1) Inject a -83 dBm signal into the R.F. input of the receiver.
- 2) Adjust potentiometer P2, situated on the IF 10.7 MHz card, to its halfway position.
- 3) Adjust trimmer R2, situated on the MUTING card, until the receiver disables the audio signal.

5.5 CALIBRATION OF THE AUDIO PROCESS CARD

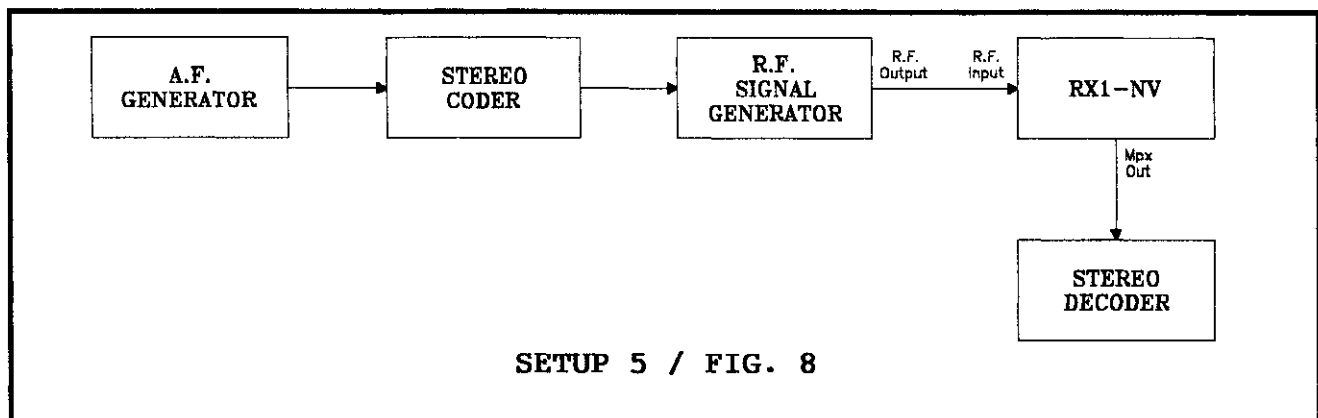
To carry out this procedure, configure the unit as detailed in SETUP2 (Fig.5/Pag.36).

- 1) Check that trimmers R41 and R42, corresponding to the MONO and MPX inputs, are at maximum.
- 2) Check that jumper JP1 is in the correct position for the desired de-emphasis (position A = 50 μ s "Europa" version; position B = 75 μ s "America" version).

- 3) Inject a signal with the carrier at the receiver's operating frequency and modulated with 400 Hz at ± 75 KHz deviation.
- 4) Adjust R8 to obtain a reading on the audio analyzer of +13 dBm for the MONO input.
- 5) Now inject a 10 KHz signal with a deviation of 75 KHz. Adjust R12 for a reading of 2.5 dBm for 50 μ s de-emphasis (-1 dBm for 75 μ s de-emphasis).
- 6) Inject a carrier at the receiver's operating frequency, modulated by a 400 Hz tone with a deviation of ± 75 KHz.
- 7) Check that the signal level is still +13 dBm and if not, adjust R8.
- 8) Use the Modmeter calibration procedure to ensure that the readings are correct.
- 9) It is essential to calibrate the MONO signal before being able to accurately measure MPX.
- 10) Configure the unit as detailed in SETUP4 (Fig.7).



- 11) Insert the 15 KHz low-pass filter (7 Fig.1).
- 12) Adjust R18 to obtain a signal level of +13 dBm.
- 13) Disable the 15 KHz low-pass filter and adjust R15 for a signal level of +13 dBm.
- 14) Configure the unit as detailed in SETUP5 (Fig.8) to measure stereo separation.



- 15) If the Stereo Decoder has an OVER RANGE indicator, adjust the stereo output level until the indicator just switches off.
- 16) Inject a carrier at the receiver's operating frequency, modulated by a 10 KHz tone with a deviation of ± 75 KHz.
- 17) Check that the stereo separation reading is around 40-45 dB for both channels.
If this is not the case, adjust R80 and R65 ensuring that the stereo separation is balanced for both channels (± 2 or 3 dB between L/R and R/L).
- 18) Inject a carrier at the receiver's operating frequency, modulated by a 400 Hz tone with a deviation of ± 75 KHz.
- 19) If necessary, adjust R71 to improve the stereo separation, using the procedure described in step 16.

5.6 CALIBRATION OF THE CPU

After replacement, check that the displays function and that operating frequencies can be programmed using the UP (14 Fig.1), DOWN (12 Fig.1) and ENTER (13 Fig.1) buttons.
Check correct operation of the RS232 serial port (if fitted).
No other checks are required.

5.7 CALIBRATION OF THE ANAMETER CARD

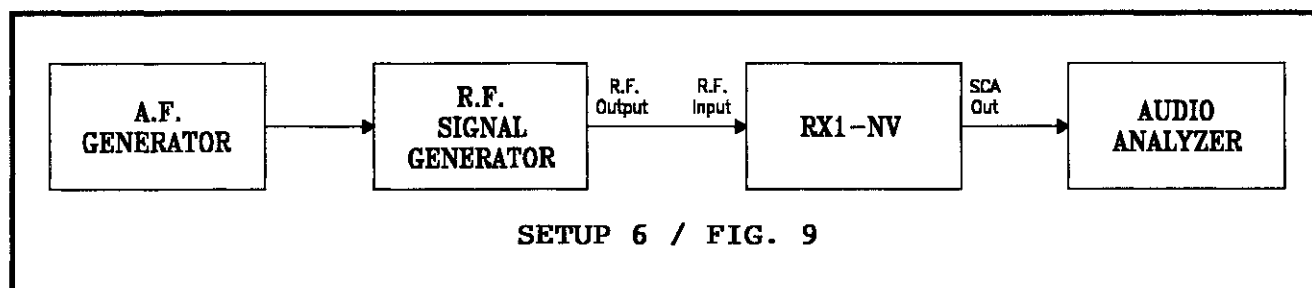
For each of the selector positions adjust the corresponding trimmer for the values listed below:

READING	VALUE	FSD	TRIMMER	NOTE
+15V	15V	30V	R18	
+5V	5V	30V	R17	
EXT 24V (OPT)	24V	30V	R22	
SIGNAL	1mV	1mV	R21	
CENTER	BLACK MARK		R16	1
SCA			R15	2
MONO			R19	3
MPX			R20	4

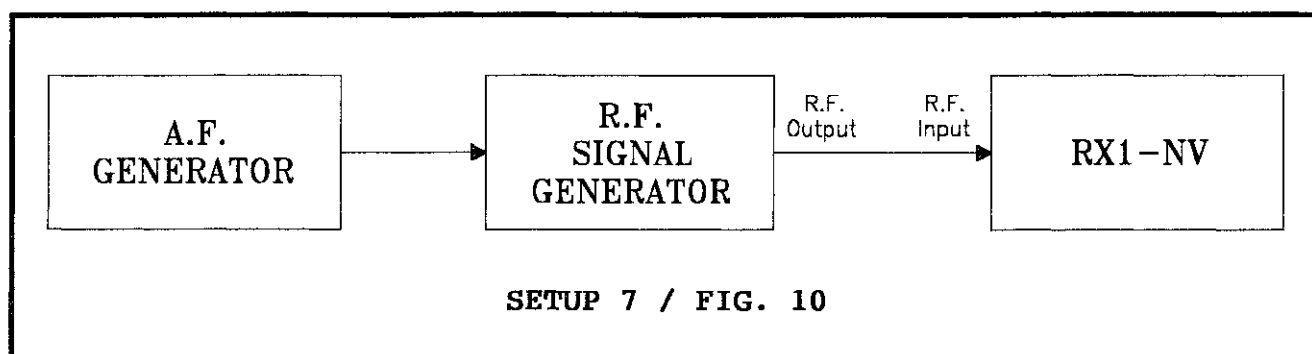
NOTE:

- 1) The reading is valid at the half-way point on the horizontal black mark on the meter scale.
- 2) If the receiver does not have a dedicated SCA output, it is not possible to measure the SCA level on the Modmeter.
If present however, inject a 67-70 KHz signal with a deviation of 7.5 KHz, select SCA measurement with the front panel selector and select x10 with the Modmeter selector.
Configure the unit as detailed in SETUP6 (Fig.9/Pag.40).

Adjust trimmer R28, situated on the Audio Process card, to obtain a reading of 0 dBm. Adjust R15 so that the first red led of the bar-graph display switches on.



Configure the unit as detailed in SETUP7 (Fig.10).



Put the bar-graph display selector in position x1 and inject a carrier at the receiver's operating frequency modulated by a 400Hz tone with a deviation of 75 KHz.

Check that the first red led switches on and if not, adjust R19 accordingly.

- 4) Repeat the procedure detailed in note 3 to measure the MPX signal. Carry out all the calibration procedures for the various parameters and select a measurement other than SCA, MONO or MPX. Select x10 on the Modmeter and inject a carrier at the receiver's operating frequency, modulated by a 400 Hz tone with 7.5 KHz deviation and re-check that the first red led of the bar-graph display is switched on. Adjust R4 if necessary.

5.8 CALIBRATION OF THE MODMETER CARD

For this procedure please refer to SETUP7 (Fig.10).

- 1) Inject a carrier at the receiver's operating frequency, modulated by a 400 Hz tone with 75 KHz deviation.
- 2) Set the switch to the "x1" position.
- 3) Adjust trimmer R30, situated on the Modmeter card, so that the first red led switches on (corresponding to the 100% mark).
- 4) Set the switch to the "x10" position.

- 5) Inject a carrier at the receiver's operating frequency, modulated by a 400 Hz tone with 7.5 KHz deviation.
- 6) Adjust trimmer R4, situated on the Modmeter card, so that the first red led switches on (corresponding to the 100% mark).

5.9 CALIBRATION OF THE POWER SUPPLY

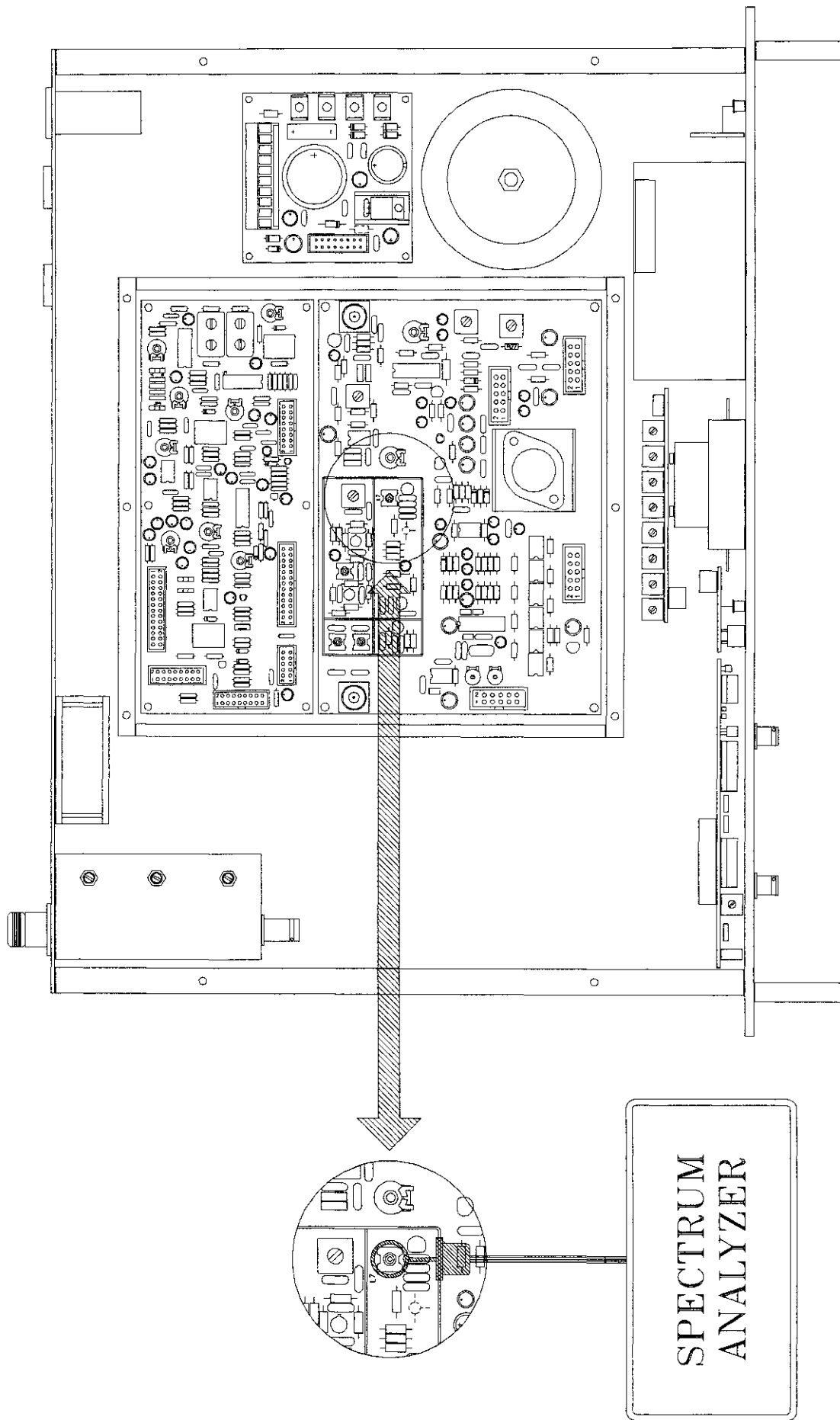
This module does not require calibration.

5.10 CALIBRATION OF THE VCO

To calibrate the VCO, carry out the following procedure SETUP 8 (Fig.11):

- 1) Connect an inductive probe to a spectrum analyzer.
- 2) Put the inductive probe near to the inductor L7 on the IF 10.7 MHz card and check the VCO's oscillation. Otherwise, adjust L7 until to obtain the oscillation.
- 3) Check that the VCO locks to end points of the selectable frequency range.
- 4) Otherwise, connect the positive probe of a voltmeter to pin 1 of the TL082 of the PLL.
- 5) At the highest frequency check a voltage of about 12V. Otherwise, adjust again L7.
- 6) Check that at the lowest frequency there is a V_{afc} reading of about 4V.
- 7) If the calibration procedure is being carried out after a change of frequency, some components, situated on the IF 10.7 MHz card, will also have to be changed according to table D.

TABLE D							
FREQUENCY RANGE	COMPONENTS VALUE						
	L7	C27	C28	C29	C30	C33	C37
87.5MHz-108MHz	5 Spires	27pF	47pF	47pF	27pF	33pF	10pF
66MHz-74MHz	5 Spires	56pF	100pF	100pF	56pF	33pF	/
52MHz-68MHz	9 Spires	47pF+4p7F	100pF+4p7F	100pF	33pF	100pF+4p7F	33pF+4p7F



SETUP 8 / FIG. 11

INDICE

Istruzioni Preliminari e Informazioni di Garanzia	Pag. 45
Regole di Sicurezza	Pag. 47

CAPITOLO 1

Descrizione Generale	Pag. 50
Specifiche Tecniche (Tabella A)	Pag. 52
Specifiche Dimensionali e Ambientali (Tabella B)	Pag. 53

CAPITOLO 2

Descrizione Elettrica	Pag. 54
Descrizione del Pannello Frontale	Pag. 57
Vista del Pannello Frontale (Fig. 1)	Pag. 60
Descrizione del Pannello Posteriore	Pag. 61
Vista del Pannello Posteriore (Fig. 2)	Pag. 62
Descrizione della Vista dall'Alto	Pag. 63
Vista dall'Alto (Foto 1)	Pag. 64
Diagramma a Blocchi (Fig. 3)	Pag. 65

CAPITOLO 3

Procedure per l'Installazione	Pag. 66
Strumentazione Consigliata per i Test (Tabella C)	Pag. 69

CAPITOLO 4

Procedure di Manutenzione	Pag. 70
---------------------------	---------

CAPITOLO 5

Procedure per la Taratura	Pag. 74
---------------------------	---------

APPENDICE A

Schemi Elettrici, Liste Componenti e Piani di Montaggio	Pag. 83
Connessioni delle Schede	Pag. 84
Power Supply	Pag. 85
Muting Card	Pag. 89

C.P.U.	Pag. 93
Modmeter Card	Pag. 102
I.F. 10.7MHz Card	Pag. 107
Filtro Passa Banda	Pag. 116
Anameter Card	Pag. 120
Audio Process Card	Pag. 128
Inverter Card (Optionale)	Pag. 134
Usa Audio Output Card (Optionale)	Pag. 138
Mono-Balanced Card (Optionale)	Pag. 142

ISTRUZIONI PRELIMINARI E INFORMAZIONI DI GARANZIA

Si prega di osservare le necessarie precauzioni di sicurezza quando si usa questa apparecchiatura.

Questa macchina presenta al suo interno correnti pericolose e alte tensioni.

Questo manuale è stato concepito per fornire una guida generale per coloro che hanno necessità di avere una conoscenza preliminare di questo tipo di macchina. Esso non intende quindi fornire una guida completa di tutte le regole di sicurezza che dovrebbero essere osservate dal personale durante l'uso di questa o altre apparecchiature elettroniche.

R.V.R. non assume la responsabilità per lesioni o danni causati da procedure errate o da un uso improprio da parte di personale non addestrato o non qualificato all'uso di questa unità.

Si prega osservare le norme locali e regole antincendio durante l'uso di questa macchina.

ATTENZIONE: disconnettere sempre l'alimentazione prima di aprire coperchi o rimuovere qualsiasi parte di questa apparecchiatura. Usare appropriate procedure di messa a terra per scaricare i condensatori e i punti di alta tensione prima di qualsiasi manutenzione.

Qualsiasi danno all'apparecchiatura causato dal trasporto deve essere segnalato al corriere e scritto sulla ricevuta di spedizione. Qualsiasi differenza o danno scoperto dopo la consegna, dovrà essere riferito all' R.V.R. entro cinque (5) giorni dalla consegna.

R.V.R. estende al cliente utente finale tutte le garanzie originali di fabbricazione che sono trasferibili e tutti i reclami devono essere fatti direttamente all'R.V.R. secondo procedure prestabilite.

Tutte le garanzie di fabbricazione saranno trattenute dall'R.V.R. per assicurare un'assistenza precisa e veloce dove possibile.

R.V.R. non sarà responsabile per qualsiasi danno di qualsiasi natura, a causa o in relazione all'uso del prodotto.

La garanzia R.V.R. non include:

- 1) Spedizione della macchina all'R.V.R. per la riparazione
- 2) Qualsiasi modifica o riparazione non autorizzata
- 3) Danni incidentali/causati non dovuti a difetti della macchina
- 4) Difetti nominali non incidentali
- 5) Costi di spedizione o di assicurazione della macchina o sostituzione di parti o unità

ATTENZIONE!

Le correnti e le tensioni presenti in questo dispositivo sono pericolose, il personale deve osservare sempre le norme di sicurezza.

Questo manuale rappresenta una guida generale per il personale addestrato e qualificato che è consapevole dei pericoli inerenti al trattamento potenzialmente rischioso dei circuiti elettrici ed elettronici.

Esso non si propone di contenere una relazione completa di tutte le precauzioni di sicurezza che devono essere osservate dal personale che utilizza questo o altri dispositivi.

L'installazione, il funzionamento, la manutenzione e l'impiego di questo dispositivo implica rischi sia per il personale che per il dispositivo stesso, il quale deve essere utilizzato solo da personale qualificato esercitando la dovuta attenzione.

La società R.V.R. ELETTRONICA s.r.l. non sarà responsabile per lesioni o danni risultanti da procedure improprie o dall'uso di personale inesperto o non correttamente addestrato all'adempimento di tali mansioni.

Durante l'installazione e il funzionamento di questo dispositivo, devono essere osservate le regole antincendio e i codici di costruzione locali.

ATTENZIONE!

Disconnettere sempre l'alimentazione prima di aprire i coperchi, i pannelli o le protezioni. Usare sempre strumenti isolati prima dell'utilizzo. Non eseguire mai regolazioni interne, operazioni di manutenzione o di servizio quando si è soli o quando si è stanchi.

Non rimuovere cortocircuiti o blocchi con interruttori interbloccanti su coperchi d'accesso, chiusure, pannelli e protezioni.

Tenersi lontano dai circuiti sotto tensione, imparare a conoscere il dispositivo e non prendere rischi.

ATTENZIONE!

In caso di emergenza assicurarsi che l'alimentazione sia stata disconnessa.

Trattamento degli shock elettrici

- 1) Se la vittima ha perso conoscenza seguire i principi di primo soccorso riportati nei punti A-B-C.

POSIZIONARE LA VITTIMA SDRAIATA SULLA SCHIENA SU UNA SUPERFICIE RIGIDA

A VIE AEREE

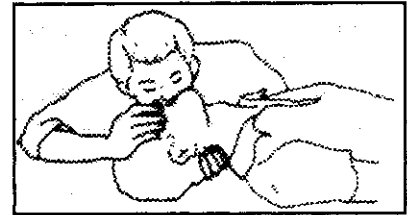
SE NON COSCIENTE,
APRIRE LE VIE AEREE



SOLLEVARE IL COLLO
SPINGERE INDIETRO LA FRONTE
APRIRE LA BOCCA SE NECESSARIO
CONTROLLARE LA RESPIRAZIONE

B RESPIRAZIONE

SE NON RESPIRA,
INIZIARE LA RESPIRAZIONE
ARTIFICIALE

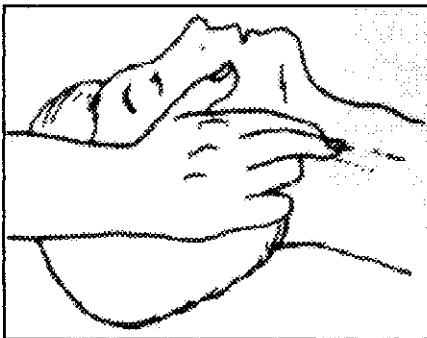


INCLINARE LA TESTA
CHIUDERE LE NARICI
FARE ADERIRE LA BOCCA A
QUELLA DELLA VITTIMA
PRATICARE 4 RESPIRAZIONI
VELOCI
RICORDARSI DI INIZIARE
IMMEDIATAMENTE LA
RESPIRAZIONE

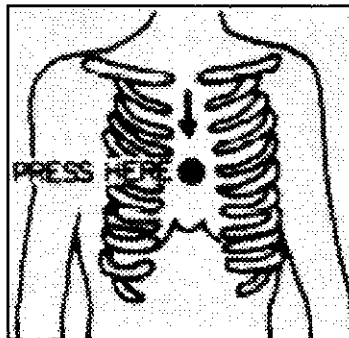
C CIRCOLAZIONE

CONTROLLARE IL BATTITO CARDIACO

COMPRIERE LO STERNO DA 1 1/2" A 2"

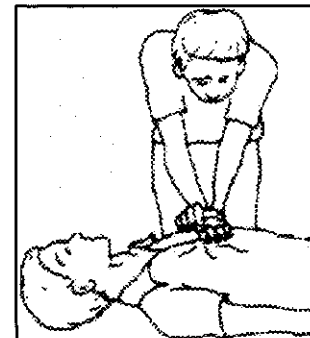


IN ASSENZA DI BATTITO,
INIZIARE IL MASSAGGIO
CARDIACO



APPROS. 80 SEC. : 1 SOCCORRITORE, 15 COMPRESIONI,
2 RESPIRAZIONI VELOCI.

APPROS. 60 SEC. : 2 SOCCORRITORI, 5 COMPRESIONI,
1 RESPIRAZIONE.



N.B.: NON INTERROMPERE IL RITMO DI COMPRESIONE QUANDO LA SECONDA
PERSONA STA ESEGUENDO LA RESPIRAZIONE ARTIFICIALE.

Chiamare un medico il prima possibile.

- 2) Se la vittima è cosciente:
- coprire la vittima con una coperta.
 - tranquillizzare la vittima.
 - slacciare gli abiti (sistemare la vittima in posizione coricata).

PRIMO SOCCORSO

Il personale impegnato nell'installazione, nel funzionamento, nella manutenzione o assistenza di questo dispositivo ha la necessità di avere familiarità con la teoria e le pratiche di primo soccorso.

La relazione seguente non rappresenta una guida completa delle procedure di primo soccorso, ma è solo un riassunto che deve essere usato come riferimento.

E' compito di tutto il personale che usa questo dispositivo essere pronto a prestare un adeguato soccorso e perciò prevenire evitabili decessi.

TRATTAMENTO DELLE USTIONI ELETTRICHE

- 1) Vaste ustioni e tagli della pelle.
 - a. Coprire l'area con un lenzuolo o un panno pulito.
 - b. Non rompere le vesciche, rimuovere il tessuto, rimuovere le particelle di vestito che si sono attaccate alla pelle, applicare una pomata adatta.
 - c. Trattare la vittima come richiede il tipo di shock.
 - d. Trasportare la vittima in ospedale il più velocemente possibile.
 - e. Se braccia o gambe sono state colpite, tenerle sollevate.

NOTA BENE

Se l'aiuto medico non è disponibile prima di un'ora e la vittima è cosciente e non ha sforzi di vomito, somministrargli una soluzione liquida di sale e soda: 1 cucchiaino pieno di sale e mezzo cucchiaino di bicarbonato di sodio ogni 250 ml d'acqua(ne' caldo ne' freddo). Permettere alla vittima di sorseggiare lentamente per circa 4 volte (1/2 bicchiere) per un periodo di 15 minuti. Interrompere se si verificano sforzi di vomito.(Non dare alcool).

- 2) Ustioni meno gravi (1° e 2° grado).
 - a. Applicare compresse di garza fredde(non ghiacciate) usando un panno il più possibile pulito.
 - b. Non rompere le vesciche, rimuovere il tessuto, rimuovere le particelle di vestito che si sono attaccate alla pelle, applicare una pomata adatta.
 - c. Mettere se necessario abiti puliti e asciutti.
 - d. Trattare la vittima come richiede il tipo di shock.
 - e. Trasportare la vittima all'ospedale il più velocemente possibile.
 - f. Se braccia o gambe sono state colpite, tenerle sollevate.

CAPITOLO 1

DESCRIZIONE GENERALE

1.1 DESCRIZIONE ESTERNA

Il RX1-NV è realizzato in un contenitore rack 19" 2U, internamente assemblato con moduli montati e fissati sul fondo della macchina. Ciò consente una facile rimozione e sostituzione dei moduli stessi. Nel pannello frontale sono presenti i connettori d'uscita audio con le relative regolazioni del livello d'uscita (Mono e MPX) e i misuratori dei parametri fondamentali di funzionamento. Sul pannello posteriore si trovano i connettori d'ingresso rete, l'ingresso RF e l'uscita monitoria della seconda I.F.

1.2 DESCRIZIONE ELETTRICA

Il RX1-NV è un ricevitore FM Broadband ad alta fedeltà con una distorsione armonica inferiore al 0.2%. Questo ricevitore è sintetizzato con steps di 10KHz in banda 50-200MHz controllato da un microprocessore. Inoltre è presente un filtro passa-basso a 15KHz inseribile sull'uscita Mono e MPX.

1.3 MISURATORI E INDICATORI

I parametri di funzionamento del ricevitore sono verificabili tramite il multimetro analogico (21 Fig.1) e il display a barra di led (18 Fig.1) presenti sul pannello frontale. Le misure effettuate con il multimetro analogico sono identificate dall'indicatore a led (8 Fig.1) e selezionabili tramite il relativo comando (20 Fig.1). Tramite il display a barra di led (18 Fig.1) è possibile leggere il picco di deviazione in steps di 5KHz. Il display centrale (22 Fig.1) a cinque cifre indica la frequenza di lavoro selezionabile tramite i comandi Up (14 Fig.1) e Down (12 Fig.1) e memorizzabile con il comando Enter (13 Fig.1). Sono presenti tre led che indicano l'aggancio del VCO (10 Fig.1), la presenza di un segnale stereo (9 Fig.1) e la presenza di un segnale SCA (11 Fig.1) in ricezione (i led 9 e 11 Fig.1 sono funzionanti solo quando è inserito il decoder interno opzionale).

1.4 CONTROLLO REMOTO DI FREQUENZA

Il RX1 N.V. raggiunge l'aggancio in frequenza in un tempo massimo di trenta secondi dall'accensione. E' possibile equipaggiarlo con una porta seriale RS232 (opzionale) in modo da poter variare la frequenza di lavoro ed effettuare il silenziamento audio a distanza.

1.5 SPECIFICHE DELL'APPARATO

Fare riferimento alla tabella (A) per la caratteristiche elettriche e alla tabella (B) per quelle dimensionali e ambientali.

TABELLA A**SPECIFICHE TECNICHE**

Alimentazione A.C.	100,120,220 e 240 V, $\pm 10\%$ 50-60 Hz, singola fase 22W 24Vdc opzionale
Raffreddamento	Ventilazione forzata
Frequenza di lavoro	da 50 a 200 MHz in sottobande di max. 20 MHz
Sensibilità	MPX: 100 mV o meno per 60dB SNR Mono: 100 μ V o meno per 65dB SNR
Selettività	± 100 KHz a -3dB ± 350 KHz a -70dB
Distorsione armonica totale	< 0,2%
Separazione Stereo	45dB, da 50Hz a 15KHz
Uscite Audio	MPX : +13dBm, 600 Ohm sbilanciata Mono: +13dBm, 600 Ohm sbilanciata
Cifra di Rumore	circa 6

TABELLA B

SPECIFICHE DIMENSIONALI E AMBIENTALI

Dimensioni del rack	82 mm (3,22") H 326 mm (12,83") D 445 mm (17,51") W
Dimensioni del pannello	483 mm (19") W 88 mm (3,47") H
Temperatura di lavoro	da -10°C a +45°C
Umidità	Massimo 90% senza condensa
Peso	8 Kg

CAPITOLO 2

DESCRIZIONE ELETTRICA

2.1 INTRODUZIONE

Questa sezione descrive in maniera complessiva la teoria di funzionamento del RX1-NV.

Per comodità descrittiva, l'apparato è stato suddiviso in sottoinsiemi che saranno discussi in maniera approfondita di seguito.

Il diagramma a blocchi è rappresentato in Fig.3.

2.2 POWER SUPPLY

Questo circuito è costituito da una scheda fissata sulla destra del fondo dell'apparecchiatura (2 Fotol).

L'alimentatore del RX1-NV è predisposto per funzionare con una tensione di alimentazione di 100V, 120V, 220V e 240V $\pm 10\%$ (24Vdc opzionale), 50-60Hz.

L'alimentatore fornisce le tensioni stabilizzate necessarie al funzionamento dei vari moduli che compongono l'RX1-NV.

La tensione di rete dopo un filtraggio "EMI" viene trasformata in valori più bassi, che rettificati e filtrati vengono stabilizzati in : +5V, +15V, -15V.

I +5V alimentano la scheda della CPU e la scheda, mentre i +15V e i -15V alimentano la Modmeter card, la CPU, l'Anameter card 1 e 2, la Audio Process card, la IF 10.7MHz card e la Muting card.

I valori di tensioni interne di funzionamento sono disponibili sul multimetro analogico.

2.3 CPU

La CPU è racchiusa in un contenitore metallico e fissato sulla destra del pannello anteriore (4 Fotol).

Questo circuito converte il numero corrispondente alla frequenza selezionata in codice binario che viene inviato ai divisori programmabili del PLL, per permettere l'aggancio del VCO alla frequenza voluta.

Attraverso una porta seriale RS232 (opzionale) si rende possibile un controllo remoto di alcuni parametri del ricevitore.

In caso di mancanza di alimentazione, una memoria non volatile mantiene l'ultima frequenza impostata a tempo indefinito.

2.4 MODMETER CARD

Questa scheda è fissata sul lato sinistro del pannello frontale (6 Fotol). Il circuito provvede alla visualizzazione della deviazione in frequenza del segnale ricevuto dalla Audio Process card, raddrizzando il segnale audio.

Sono presenti due connettori audio, uno per il segnale MONO e uno per il segnale MPX.

Un interruttore permette di selezionare il guadagno del misuratore a due livelli (10% e 100%) per ottenere una misura più precisa per bassi livelli di deviazione (es. SCA, RDS, toni pilota).

Un altro interruttore seleziona la visualizzazione in modo Barra o Punto. La visualizzazione viene effettuata tramite 14 led verdi e 6 led rossi, ottenendo nella scala al 100%, 100KHz a fondo scala (75KHz al primo led rosso) equivalente 5KHz/led e nella scala al 10% 0,5KHz/led.

2.5 ANAMETER CARD

Il circuito è costituito da due schede e uno strumento di misura fissati sulla parte centrale del pannello anteriore (5 Fotol).

Questo circuito provvede alla visualizzazione dei parametri di funzionamento del ricevitore: tensioni interne, livello dei segnali MONO, MPX, SCA, CENTER (centratura del segnale) e SIGNAL (ampiezza del segnale).

Queste misure vengono selezionate tramite un comando a levetta (20 Fig.1) e indicate dalla dicitura a fianco del led verde acceso (8 Fig.1).

Queste misure vengono effettuate utilizzando le varie scale serigrafate sullo strumento:

MISURA	SCALA	FONDO SCALA
Tensioni interne	V	30 V
Livelli segnali	V	1 mV

In questa scheda sono presenti anche tre led verdi per segnalare rispettivamente: la presenza del segnale STEREO, l'avvenuto aggancio da parte del VCO e la presenza di un segnale SCA (i led STEREO PRES. e SCA PRES. risultano essere funzionanti solo quando è presente il decoder interno opzionale).

2.6 AUDIO PROCESS CARD

Questa scheda è fissata nella parte posteriore del contenitore metallico posizionato nella zona centrale della macchina (10 Fotol). La Audio Process card elabora i vari segnali audio, MONO, MPX, SCA e RDS provenienti dalla scheda IF 10.7MHz.

Inoltre, invia i segnali elaborati ai vari strumenti di misura presenti sia sull'Anameter card che sulla Modmeter card.

Questa scheda invia anche un segnale alla Muting card, la quale visualizza lo stato di muting e la sua soglia d'intervento (tarata dalla casa costruttrice a circa -83dBm).

2.7 IF 10.7MHz CARD

Questa scheda è fissata nella parte anteriore del contenitore metallico posizionato nella zona centrale della macchina (7 Fotol).

Dato che questo ricevitore lavora in singola conversione, all'ingresso di questa scheda è presente un segnale alla frequenza di ricezione

preventivamente filtrato dal filtro passa banda d'ingresso. Su questa scheda il segnale R.F. proveniente dal filtro passa banda viene filtrato, amplificato e poi immesso in un mixer che presenta all'altro ingresso il segnale proveniente dal V.C.O. agganciato in fase al P.L.L. contenuto nella scheda stessa.

Il segnale (10.7 MHz) che si ottiene dalla differenza tra questi due segnali subisce un doppio filtraggio, un'amplificazione e la demodulazione F.M..

In seguito, tale segnale viene inviato alla Audio Process card che provvede ad elaborarlo.

Sulla scheda IF 10.7MHz è contenuto anche il VCO racchiuso in un contenitore metallico.

Questa scheda riceve il segnale binario equivalente alla frequenza impostata proveniente dalla CPU.

Per le sue operazioni necessita di un divisore esterno che elabora le informazioni da lui ricevute e le rinvia al PLL stesso.

Il PLL inoltre riceve il segnale RF dal VCO che viene comparato con un segnale di riferimento e rinvia al VCO stesso sotto forma di tensione, il quale mantiene l'aggancio sulla frequenza di lavoro.

2.8 MUTING CARD

Questa scheda è fissata nella parte destra del pannello frontale. Essa serve per regolare la soglia d'intervento del muting del ricevitore (di default = -83dBm) e visualizza lo stato di muting con il relativo led (16 Fig.1).

2.9 FILTRO PASSA BANDA

Questo filtro è contenuto all'interno di un contenitore metallico posto nella parte posteriore sinistra della macchina (8 Foto 1). Questo circuito passivo filtra il segnale R.F. in ingresso e lo invia alla scheda di conversione IF 10.7MHz.

DESCRIZIONE DEL PANNELLO FRONTALE (Fig. 1)

1	LEVEL HEAR	Trimmer di regolazione del livello audio di ascolto in cuffia
2	HEAR	Pres a Jack per inserzione cuffia
3	MONO	Connettore BNC d'uscita del segnale Mono
4	REG. MONO	Trimmer di regolazione del livello d'uscita Mono
5	REG. MPX	Trimmer di regolazione del livello d'uscita Stereo
6	MPX	Connettore BNC d'uscita del segnale MPX
7	ON/OFF LPF\15KHz	Interruttore per l'inserimento di un filtro passa-basso 30Hz-15KHz
8	LEDS	Indicatore luminoso che indica quale parametro dell'eccitatore è visualizzato sullo strumento analogico
9	STEREO PRES.	Indicatore di presenza di segnale STEREO (solo con decoder STEREO interno opzionale)

17	BAR/DOT	Selettore del modo (BAR/DOT) per l'indicatore di modulazione
18	MODULATION	Barra di leds per la misura della deviazione
19	x1/x10	Espansione della scala dello strumento di modulazione Pos. X1 a fondo scala mostra il 100% Pos. X10 a fondo scala mostra il 10%
20	SELETTORE METER	Ad ogni pressione sul selettore si accenderà un led relativo alla misura di un singolo parametro
21	METER	Strumento analogico usato per visualizzare i parametri principali del ricevitore: +15V +5V EXT 24V SIGNAL CENTER SCA MONO MPX
22	FREQUENCY DISPLAY	Indicatore di frequenza
23	ON	Indicatore led della presenza di alimentazione
24	POWER	On/Off interruttore alimentazione

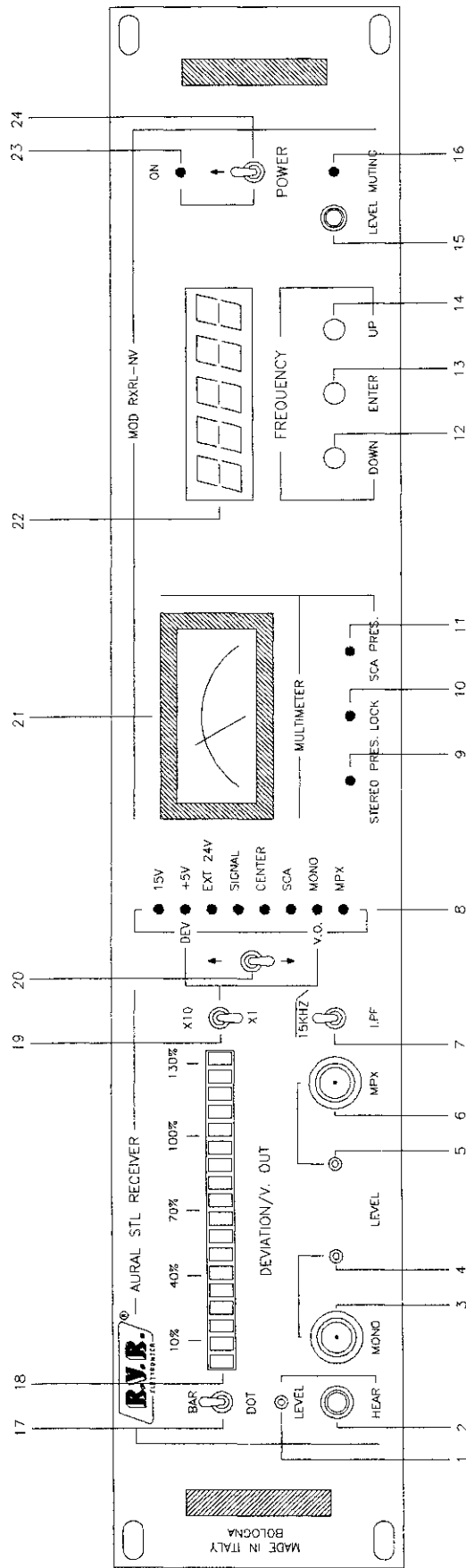


FIG. 1

DESCRIZIONE DEL PANNELLO POSTERIORE (Fig. 2)

1	PLUG	Pres a alimentazione Vac
2	BLOCCO FUSIBILI	Blocco fusibili e tensioni.
3	REMOTE CONTROL	Connettore DB9 per il controllo del ricevitore a distanza (opzionale)
4	MORSETTO ROSSO	Morsetto positivo per l'alimentazione esterna a 24V (Opzionale)
5	MORSETTO NERO	Morsetto negativo per l'alimentazione esterna a 24V (Opzionale)
6	USCITA AUDIO U.S.A.	Uscita audio U.S.A. per telemetria (Opzionale)
7	VENTOLA	Ventola per il raffreddamento dello stadio di amplificazione di potenza e per il Power Supply
8	PRELIEVO A 10.7MHz	Prelievo a 10.7MHz per i test
9	STABILIZZATORE 1	Stabilizzatore della tensione +5V
10	STABILIZZATORE 2	Stabilizzatore della tensione +15V
11	INGRESSO R.F.	50 Ohm, Connettore "N"

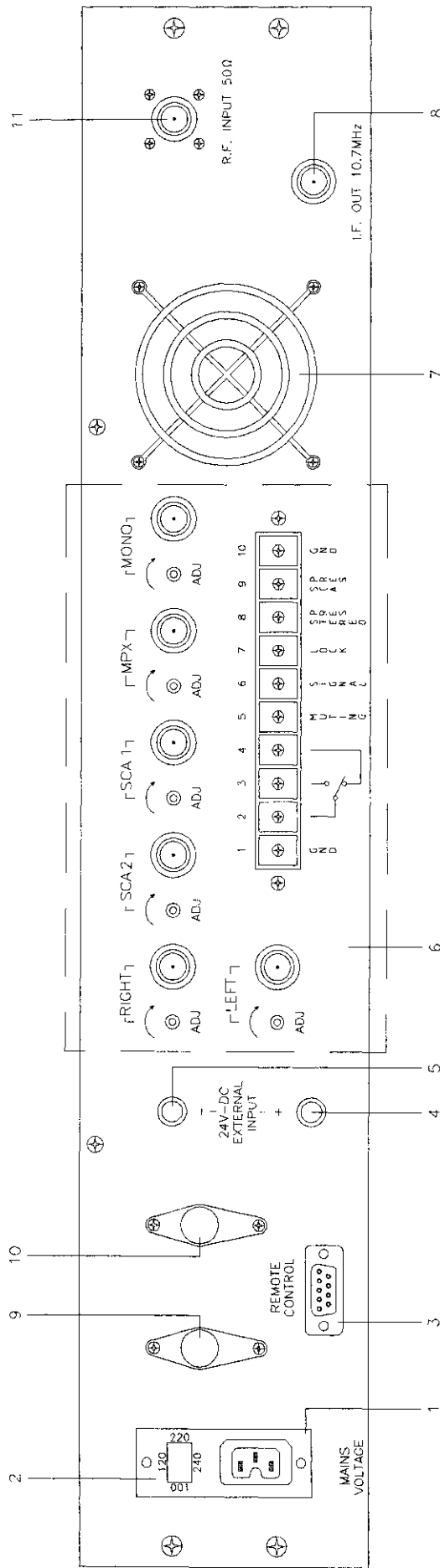


FIG. 2

DESCRIZIONE DELLA VISTA DALL'ALTO (FOTO 1)

- 1 Presa di Alimentazione
- 2 Alimentatore
- 3 Trasformatore
- 4 C.P.U.
- 5 Anameter Board
- 6 Scheda Modulation Meter e Uscite Mono/Mpx
- 7 Scheda IF 10.7MHz
- 8 Filtro Passa Banda
- 9 Ventola
- 10 Scheda Audio Process

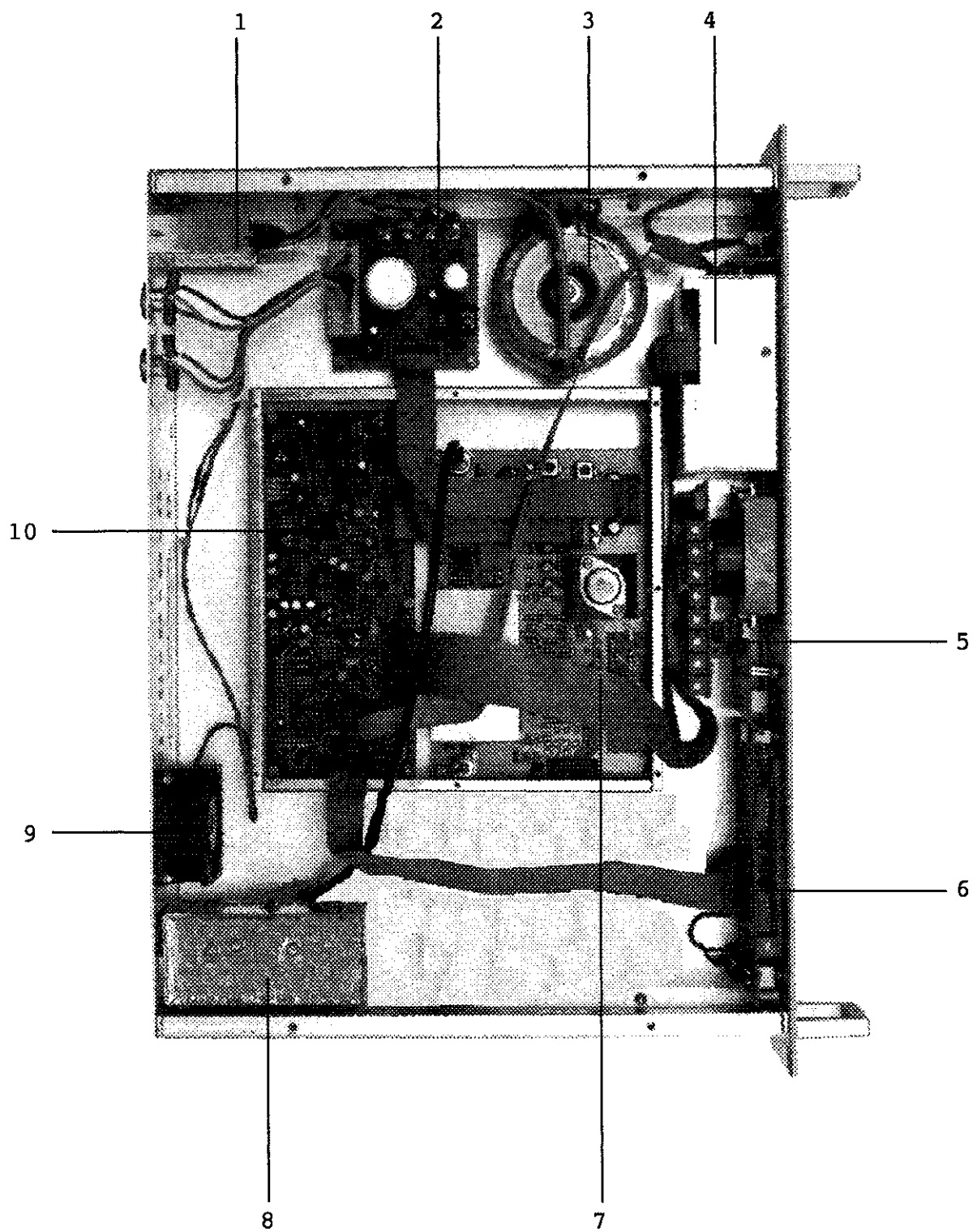


FOTO 1

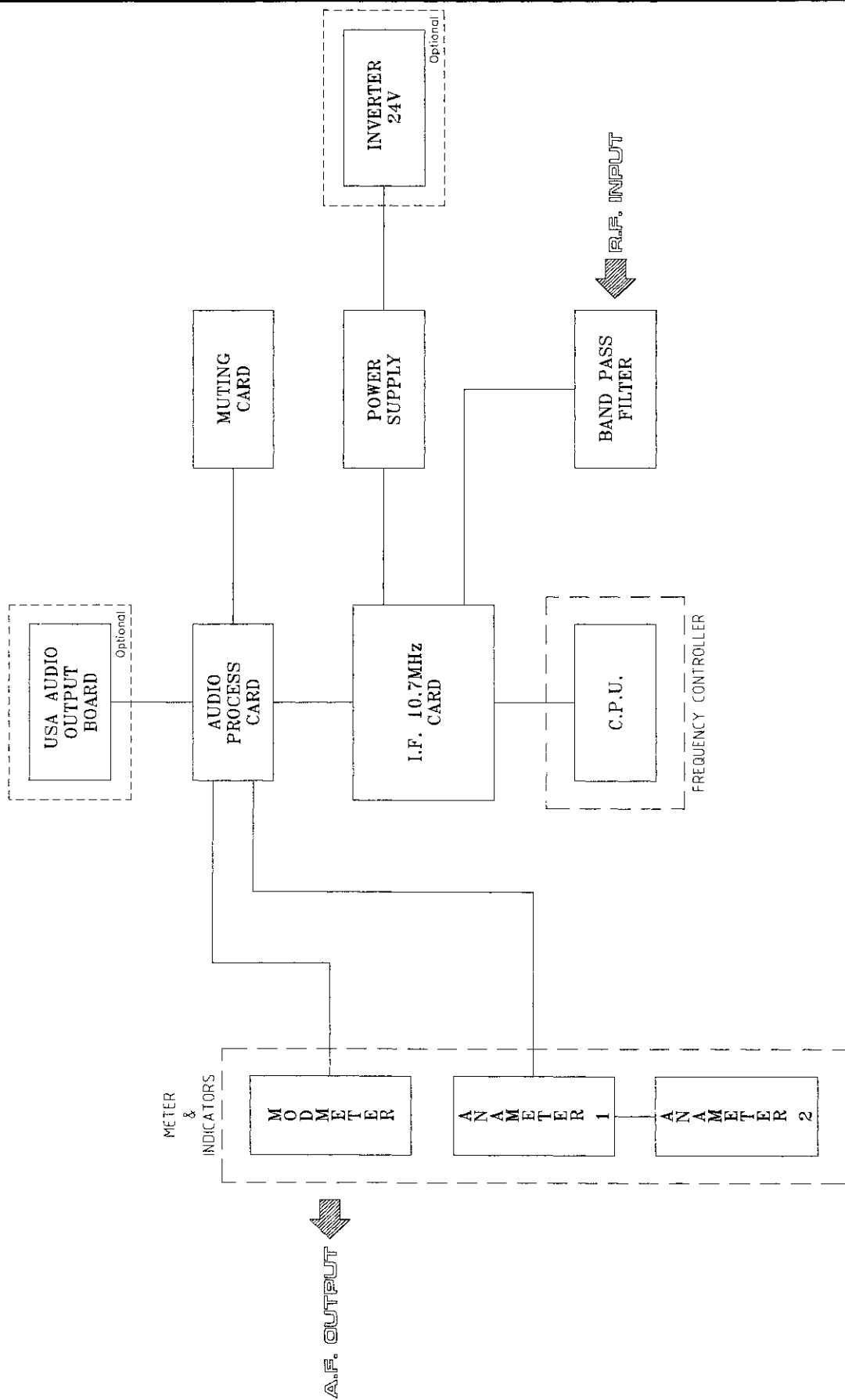


FIG. 3

CAPITOLO 3**PROCEDURE PER L'INSTALLAZIONE****3.1 INTRODUZIONE**

Questo capitolo contiene le informazioni necessarie per l'installazione ed il controllo preliminare del ricevitore RX1-NV.

3.2 DISIMBALLAGGIO

Togliere dall'imballo l'apparecchiatura e prima di iniziare qualsiasi operazione, controllare che l'apparato non abbia subito danni durante il trasporto, e quindi tutti i comandi presenti sul pannello anteriore e posteriore siano utilizzabili.

3.3 INSTALLAZIONE

Per eseguire l'installazione del ricevitore RX1-NV occorre eseguire le seguenti operazioni:

- 1) Questo ricevitore ha la possibilità di funzionare con 4 differenti tensioni di alimentazione: 100, 120, 220 o 240Vac, a 50-60Hz. La prima operazione da effettuare è pertanto quella di selezionare la giusta tensione di alimentazione tramite il selettore posto sul pannello posteriore: eventualmente con un cacciavite sollevare il cappuccio (2 Fig.2) su cui sono stampati i valori di tensione e ruotarlo fino a che il valore che interessa corrisponda con la freccetta e quindi reinserirlo. Verificare inoltre la presenza e l'integrità del fusibile contenuto nel cappuccio stesso. I valori in Ampère di tale fusibile sono di seguito riassunti:

220-240 V - 1 A
100-120 V - 2 A

- 2) Accertarsi che l'antenna sia collegata correttamente all'ingresso RF (11 Fig.2) posto sul pannello posteriore del ricevitore.
- 3) Posizionare l'interruttore di accensione su OFF (24 Fig.1).
- 4) Connettere il cavo di rete nell'apposita vaschetta VDE (1 Fig.2).

(N.B.: E' indispensabile che l'impianto sia provvisto di messa a terra per l'incolumità dell'operatore e per un corretto funzionamento dell'apparato.)

- 5) Porre l'interruttore di accensione su ON e controllare l'accensione della spia verde POWER ON (23 Fig.1) e della spia verde relativa alla selezione dei parametri interni nella posizione SIGNAL.

Dopo qualche secondo si accenderà il display centrale (22 Fig.1) che indicherà un numero (es.108.00): tale valore corrisponde all'ultima frequenza impostata.

Entro 30 sec. si dovrà verificare l'accensione del led verde LOCK: questo indica che l'oscillatore è agganciato sulla frequenza di lavoro impostata.

Il display è composto da cinque cifre, di cui due sempre alla destra del punto decimale che rappresentano (dal punto verso destra) la prima le centinaia di KHz e la seconda le decine di KHz, mentre sulla sinistra vi sono tre cifre che rappresentano (dal punto verso sinistra), la prima le unità di MHz, la seconda le decine di MHz e la terza le centinaia di MHz.

Per cambiare tale valore agire sui pulsanti UP (14 Fig.1) o DOWN (12 Fig.1) per portare l'apparato sulla nuova frequenza.

Raggiunto il nuovo valore, premere il pulsante ENTER (13 Fig.1) per confermare tale valore.

Contemporaneamente alla pressione del tasto ENTER (se la frequenza si discosta dall'ultima confermata) si avrà lo spegnimento della spia LOCK che sta ad indicare che il VCO si sta spostando sulla nuova frequenza.

Se questo tasto ENTER non viene premuto, il display lampeggerà con il valore ultimo quattro volte riportandosi poi nuovamente sul precedente valore.

N.B. Durante tutte le operazioni precedentemente descritte e non confermate con la pressione del tasto ENTER, la macchina continua a funzionare regolarmente sulla frequenza di lavoro confermata per ultima.

Da notare che la pressione UP e DOWN, se esercitata in maniera impulsiva (cioè con pressioni molto veloci), comporta uno spostamento di una cifra in più o in meno alla destra del display (decine di KHz), mentre una pressione più prolungata fa scorrere velocemente in più o in meno tale cifra e di conseguenza tutte le altre.

Inoltre, quando il display raggiunge uno dei due valori estremi della banda di frequenza (N.B. Il range di frequenza dipende dalla scelta effettuata dal cliente e non è quasi mai superiore ai 20 MHz), esso salta sull'estremo opposto continuando lo scorrimento nella direzione relativa al pulsante premuto.

Es. Range 87.50-108.00

Premendo il pulsante UP 107.99-108.00-87.50-87.51

Premendo il pulsante DOWN 87.51-87.50-108.00-107.99

Dopo circa 1,5 min. dall'avvenuto aggancio del PLL, il display si spegne automaticamente, per riaccenderlo premere ENTER.

- 6) Collegare un analizzatore audio alle uscite MONO (3 Fig.6) o MPX (6 Fig.1).

Con un generatore RF iniettare all'ingresso RF del ricevitore una portante alla frequenza di lavoro con livello = -47 dBm.

Modulare la portante RF con un tono a 400Hz deviata a ± 75 KHz.
Verificare che lo strumento di misura analogico (21 Fig.1) esegua la lettura di 1 mV.

- 7) Selezionare tramite il selettore (20 Fig.1) la misura CENTER e verificare la centratura del segnale ricevuto.
- 8) Verifica misuratore di deviazione.
Porre il deviatore di selezione del fondo della scala dell'indicatore di modulazione (19 Fig.1) su X1.
Collegare l'analizzatore audio all'uscita MONO (3 Fig.1).
Verificare l'accensione della barra di led (18 Fig1) fino al primo led rosso equivalente al 100% di deviazione (equivalente a 75KHz); con il deviatore sulla posizione DOT si avrà l'accensione del solo primo led rosso mentre sulla posizione BAR quella di tutti i led verdi e del primo led rosso.
Verificare sull'analizzatore audio che sia presente un livello di +13dBm.
Le operazioni vanno eseguite sia per l'uscita MONO che per quella MPX.
- 9) Iniettare un segnale di livello -83 dBm e ruotare il trimmer R2 di regolazione del MUTING (15 Fig.1) fino a che si accende il led rosso del Muting (16 Fig.1), l'audio viene disinserito automaticamente e la barra di led della Modmeter si spegne.
Verificare tramite una cuffia che in effetti l'audio sia stato disinserito.
Se si aumenta nuovamente il livello del segnale il led MUTING si spegne e la ricezione riprende regolarmente.
- 10) Il regolare funzionamento del led STEREO PRES. (9 Fig.1) può essere verificato solo con la presenza di uno Stereo Decoder opzionale. Mentre per quel che riguarda il led SCA PRES. (11 Fig.1) lo si può verificare solamente all'atto della ricezione di un segnale SCA e con un SCA decoder opzionale.

TABELLA C**STRUMENTAZIONE CONSIGLIATA PER I TEST**

TIPO DI STRUMENTO	MODEL	SPECIFICHE
Non-Inductive Dummy Load	Bird	50 Ohm P>10W
Spectrum Analyzer	Advantest Mod. R4131D	10KHz-3.5GHz
F.M. Modulation Meter	R/S Mod. F.A.M.	
Digital multimeter	Mod. Metrix	
Bypass Wattmeter	Bird Mod. 43	50 Ohm
Stereo Decoder	A.E.V. Mod. SMD	Stereo separation >60 dB 30Hz to 15 KHz
Low distortion A.F. generator	Krohn-Hite	THD < 0.001%
Oscilloscope	Tektronix Mod. 2247A	
R.F. generator	R/S SMPD	5 KHz / 2720 MHz
Audio Analyzer	Panasonic Mod. VP7722A	
30dB Attenuator	H.P. Mod. 8498A	Max Avg Pwr 30W
Variable Attenuator	H.P. Mod. 8496B	Attenuator 110dB Max RF PWR 1W CW
Variable Attenuator	H.P. Mod. 8494B	Attenuator 11dB Max RF PWR 1W CW

CAPITOLO 4

PROCEDURE DI MANUTENZIONE

4.1 NORME DI SICUREZZA

ATTENZIONE ATTENZIONE ATTENZIONE ATTENZIONE ATTENZIONE ATTENZIONE

Quando il ricevitore è in funzione, e il coperchio superiore è stato rimosso, sono presenti pericolose tensioni.

Usare degli utensili isolati per qualsiasi tipo di taratura e non toccare qualsiasi componente all'interno dell'apparato quando questo è acceso.

Assicurarsi di disconnettere l'alimentazione del ricevitore prima di effettuare qualsiasi operazione di manutenzione.

PRIMO LIVELLO DI MANUTENZIONE

4.2 MANUTENZIONE ORDINARIA

L'unica manutenzione di cui necessita il RX1-NV è la periodica sostituzione delle ventole e la relativa pulizia da tracce di polvere eventualmente accumulate al suo interno.

Tale periodicità dipende delle condizioni di funzionamento della macchina, temperatura ambiente, livello di polvere nell'aria, umidità. Si consiglia di effettuare un controllo preventivo ad intervalli di 6 mesi e di sostituire le ventole che presentassero rumore o attriti eccessivi, e comunque di provvedere alla loro sostituzione non oltre i 18 mesi.

SECONDO LIVELLO DI MANUTENZIONE

4.3 SOSTITUZIONE DELLA CPU

- 1) Togliere il coperchio superiore della macchina.
- 2) Disconnettere i connettori CN1 e CN2 che collegano la CPU rispettivamente con la Main card e con il connettore RS232 C.
- 3) Svitare le viti di fissaggio del pannello frontale.
- 4) Svitare i dadi di fissaggio degli interruttori della scheda posti sul pannello frontale e rimuovere la CPU.
- 5) Estrarre la CPU con molta cautela.
- 6) Svitare le viti della scatola metallica di protezione della CPU ed estrarre le schede.

4.4 SOSTITUZIONE DELL'ANAMETER CARD

- 1) Togliere il coperchio superiore della macchina.
- 2) Svitare le viti di fissaggio del pannello frontale.
- 3) Disconnettere il connettore CN1 che collega l'Anameter card con la Audio Process card.
- 4) Svitare il dado dello Switch Selector posto sul pannello frontale.
- 5) Svitare i dadi che fissano la scheda allo strumento di misura.
- 6) Estrarre la scheda con molta cautela.

4.5 SOSTITUZIONE DELLA MODMETER CARD

- 1) Togliere il coperchio superiore della macchina.
- 2) Svitare le viti di fissaggio del pannello frontale.
- 3) Disconnettere il connettore CN1.
- 4) Disconnettere il connettore a due poli che collega la Modmeter card con il connettore LEVEL HEAR posto sul pannello frontale.
- 5) Svitare i dadi dei connettori MONO e MPX posti sul pannello frontale.
- 6) Svitare i dadi degli interruttori di controllo della scheda anch'essi posti sul pannello frontale.
- 7) Estrarre la scheda con molta cautela.

4.6 SOSTITUZIONE DEL POWER SUPPLY

- 1) Togliere il coperchio superiore della macchina.
- 2) Disconnettere il connettore CN6.
- 3) Disconnettere la morsettiera CN5.
- 4) Annotare la posizione dei vari fili e dei relativi colori.
- 5) Disconnettere i faston (CN1, CN2, CN3, CN4) dei vari fili posti sul ponte di diodi.
- 6) Svitare i dadi di fissaggio della scheda sul fondo.
- 7) Estrarre la scheda con molta cautela.

4.7 SOSTITUZIONE DELLA MUTING CARD

- 1) Togliere il coperchio superiore della macchina.
- 2) Disconnettere il connettore CN0.
- 3) Svitare il dado del trimmer LEVEL MUTING posto sul pannello frontale.
- 4) Estrarre la Muting card con molta cautela.

4.8 SOSTITUZIONE DELLA AUDIO PROCESS CARD

- 1) Togliere il coperchio superiore della macchina.
- 2) Togliere il coperchio della scatola metallica che protegge la scheda Audio Process e la scheda IF 10.7MHz.
- 3) Annotare la posizione dei vari connettori della scheda Audio Process e della scheda IF 10.7MHz.
- 4) Disconnettere i connettori CN1, CN2, CN3 e CN4 della scheda Audio Process e i connettori CN2, CN3, CN4, CN5 e CN6 della scheda IF 10.7MHz, quest'ultimi per facilitare le operazioni di smontaggio.
- 5) Svitare i dadi di fissaggio della scheda.
- 6) Estrarre la scheda con molta cautela.

4.9 SOSTITUZIONE DELLA IF 10.7MHz CARD

- 1) Togliere il coperchio superiore della macchina.
- 2) Togliere il coperchio della scatola metallica che protegge la scheda Audio Process card e la scheda IF 10.7MHz.
- 3) Annotare la posizione dei vari connettori della scheda Audio Process della scheda IF 10.7MHz.
- 4) Disconnettere i connettori CN1, CN2, CN3 e CN4 della scheda Audio Process e i connettori CN2, CN3, CN4, CN5 e CN6 della scheda IF 10.7MHz.
- 5) Svitare i dadi di fissaggio della scheda IF 10.7MHz.
- 6) Estrarre la scheda con molta cautela.

4.10 SOSTITUZIONE DEL FRONT-END (FILTRO PASSA BANDA)

- 1) Togliere il coperchio superiore della macchina.
- 2) Disconnettere i connettori CN1 e CN2 del Front-End.
- 3) Dissaldare il filo di alimentazione che risulta essere connesso sul condensatore passante C16.
- 4) Svitare le viti che fissano il Front-End al fondo dell'apparecchiatura.
- 5) Estrarre con cura il Front-End.

CAPITOLO 5

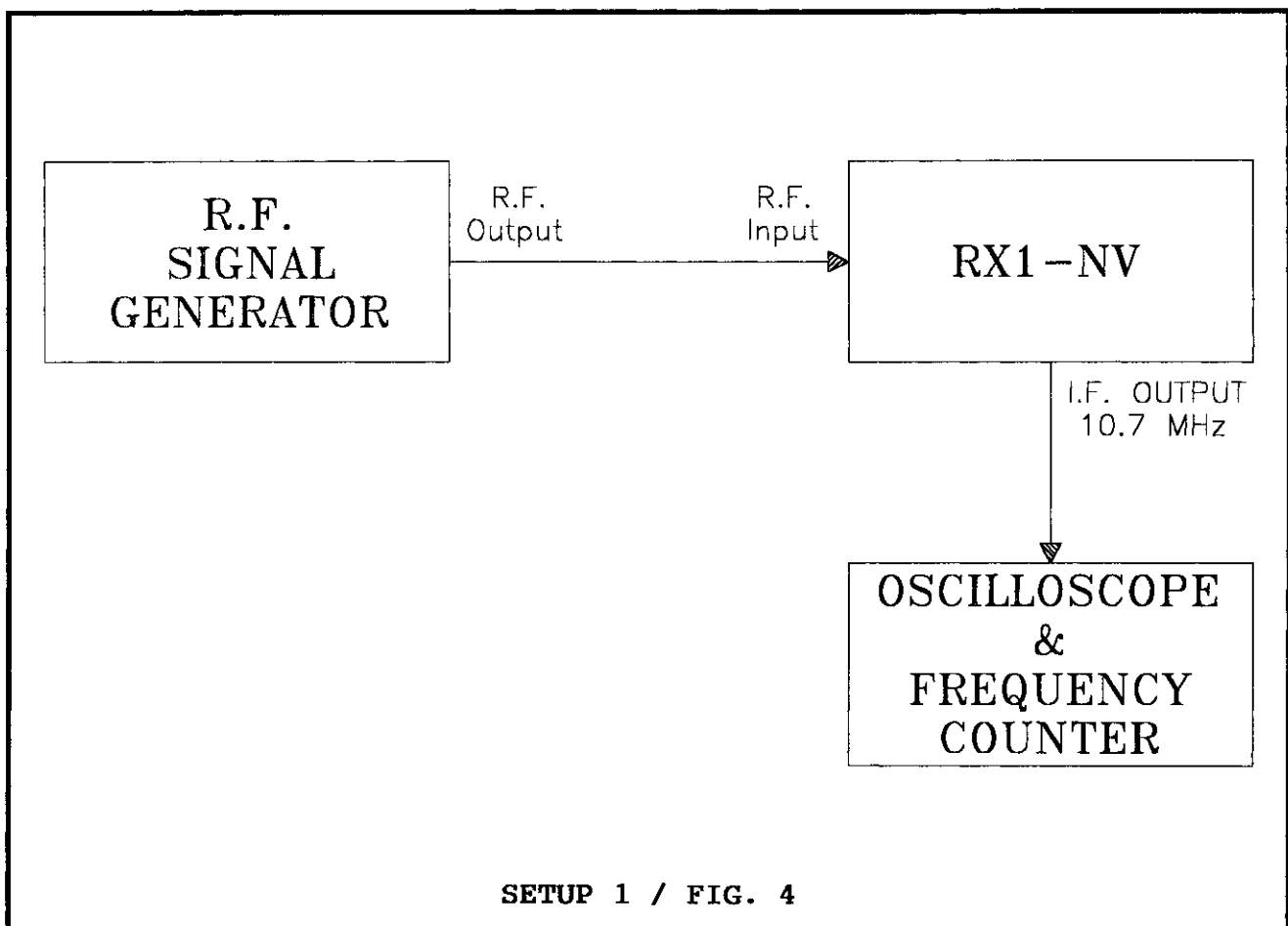
PROCEDURE PER LA TARATURA

5.1 INTRODUZIONE

E' MOLTO IMPORTANTE PER OTTENERE UNA BUONA TARATURA PORTARE IL DISPOSITIVO ALLA TEMPERATURA DI LAVORO.

5.2 TARATURA DEL FRONT-END (FILTRO PASSA BANDA)

Per effettuare questa taratura occorre collegare l'equipaggiamento come mostrato nel SETUP1 (Fig.4):



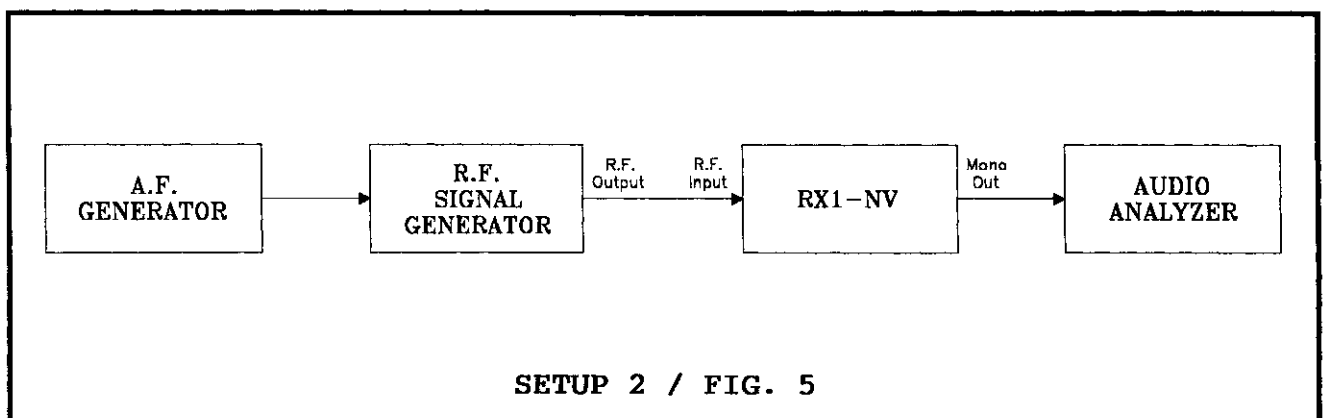
- 1) Iniettare, tramite il generatore di segnali collegato all'ingresso RF, un segnale a -20dBm, con frequenza uguale a quello di lavoro del ricevitore.
- 2) Verificare sull'oscilloscopio di ottenere il massimo livello possibile della IF 10,7MHz controllandone anche l'esatta frequenza (se la frequenza non risultasse essere quella giusta agire sui compensatori CV1 e CV2 posti sulla scheda IF 10.7MHz). Per ottenere il massimo livello di IF 10,7MHz agire sui 4 compensatori (C1, C2, C3, C4) del Front-End.

- 3) Diminuire gradualmente il livello del segnale iniettato, continuando a regolare per il massimo valore il livello della IF 10,7MHz. Ripetere questa operazione fino a che il segnale iniettato dal generatore non raggiunga il livello -47dBm (1mV).
- 4) Raggiunto il livello di -47dBm, dopo avere eseguito le regolazioni dei compensatori del Front-End, verificare che il livello ottenuto per la IF 10.7MHz, sia circa 50-100mVpp.
- 5) Per eseguire una taratura più precisa è consigliabile diminuire ulteriormente il livello del segnale R.F. in ingresso fino a -67dBm.

5.3 TARATURA DELLA SCHEDA IF 10.7MHZ

Per effettuare questa taratura occorre collegare l'equipaggiamento come mostrato nel SETUP1 (Fig.4/Pag.74):

- 1) Iniettare nell'ingresso RF del ricevitore un segnale di livello -47dBm alla frequenza pari a quella di lavoro del ricevitore, tramite il generatore di segnali RF.
- 2) Verificare tramite un frequenzimetro, la precisione della lettura della frequenza IF 10,7MHz (accettabile 10,700MHz). In caso contrario agire sui compensatori CV1 e CV2 situati sulla scheda IF 10.7MHz.
- 3) Ora, controllando sull'oscilloscopio, agire su TR1 e poi su TR2 posti sulla scheda IF 70MHz per ottimizzare l'ampiezza della IF 10,7MHz.
- 4) Controllare che il livello della IF 10,7MHz sia ancora > 100mVpp, in caso contrario agire su P1 posto su questa scheda.
- 5) Collegare ora il ricevitore come mostrato nel SETUP2 (Fig.5)

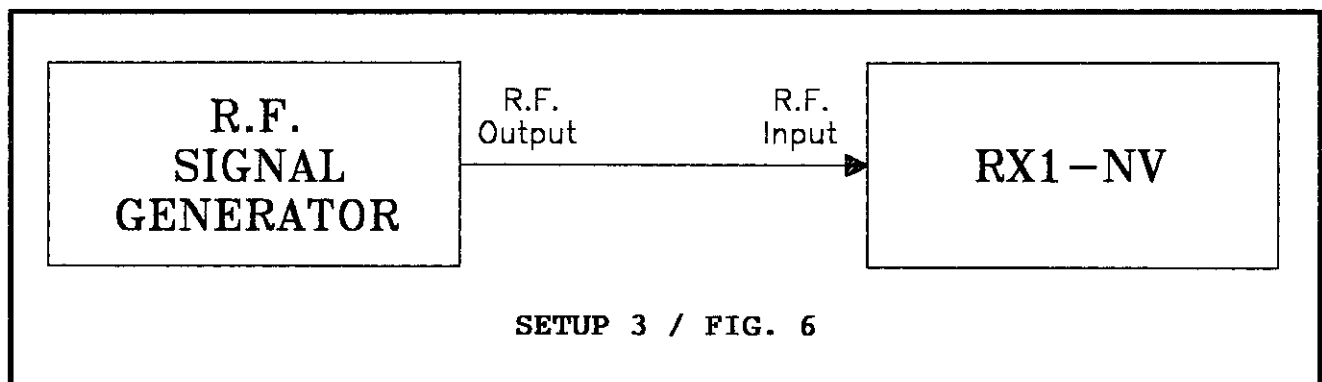


- 6) Iniettare un tono a 400Hz nel generatore RF e modularlo con deviazione pari a ± 75 KHz. Il segnale RF ottenuto viene iniettato nell'ingresso RF del ricevitore.

- 7) Controllare che i trimmers MONO (R42) e MPX (R41) posti sul pannello anteriore siano nella posizione di massimo.
- 8) Eseguire la lettura del livello del segnale MONO uscente dal ricevitore tramite l'analizzatore audio.
- 9) Regolare tale livello con TR3 per ottenere il massimo valore, e con TR4 per ottenere il minimo valore.
- 10) Settare l'analizzatore audio per ottenere una misura di distorsione audio percentuale con LPF = 30KHz.
- 11) Agire su TR3 e TR4 alternativamente per ottenere la minima distorsione audio MONO percentuale (raggiungibile 0,08%). Dopo aver ottimizzato quella MONO, risulta ottimizzata anche quella MPX (minore o uguale a 0,2%). In caso contrario si può agire su P1, TR1 e TR2, tenendo presente di non diminuire troppo il livello d'ampiezza della IF 10,7MHz.

5.4 TARATURA DELLA MUTING CARD

Per effettuare questa taratura occorre collegare l'equipaggiamento come mostrato nel SETUP3 (Fig.6):



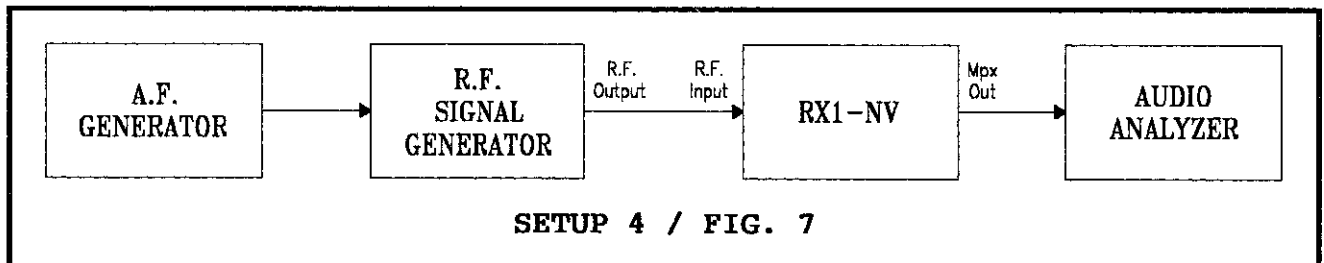
- 1) Iniettare un segnale di livello -83dBm con frequenza uguale a quella di lavoro del ricevitore, sull'ingresso RF del ricevitore.
- 2) Regolare a metà corsa il potenziometro P2 posto sulla scheda IF 10.7MHz.
- 3) Ruotare il trimmer R2 posto sulla scheda MUTING fino a che il ricevitore blocca il segnale audio.

5.5 TARATURA DELL'AUDIO PROCESS CARD

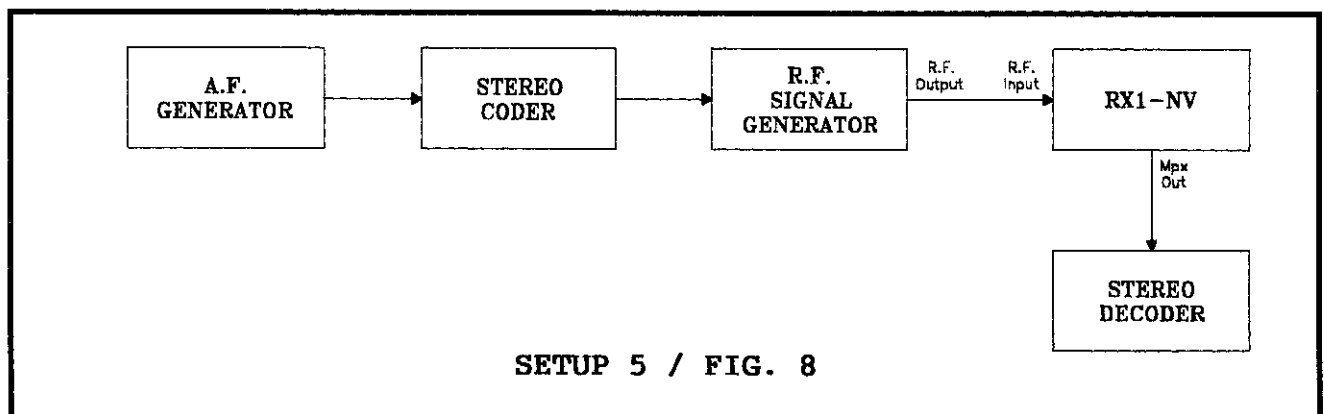
Per effettuare questa taratura occorre collegare l'equipaggiamento come mostrato nel SETUP2 (Fig.5/Pag.81):

- 1) Controllare che i trimmers R41 e R42 relativi agli ingressi MONO e MPX siano nella posizione di valore massimo.

- 2) Controllare che il Jumper JP1 sia nella posizione relativa alla deenfasi desiderata (posizione A=50 μ s versione "Europa", posizione B=75 μ s versione "America").
- 3) Iniettare un segnale con portante alla frequenza di lavoro e con modulante a 400Hz deviata a \pm 75KHz.
- 4) Agire su R8 per ottenere una lettura di livello sull'analizzatore audio di +13dBm per l'ingresso MONO.
- 5) Iniettare ora un segnale a 10KHz con deviazione 75KHz, e tramite R12 ottenere una lettura di 2,5dBm per una deenfasi di 50 μ s (-1dBm per una deenfasi di 75 μ s).
- 6) Iniettare nuovamente un segnale con portante alla frequenza di lavoro e con modulante a 400Hz deviata a \pm 75KHz.
- 7) Verificare se il livello di +13dBm è ancora presente, e in caso contrario agire ancora su R8.
- 8) Verificare tramite le procedure di taratura della Modmeter card che le misure da essa effettuate siano corrette.
- 9) E' fondamentale effettuare la taratura prima del segnale MONO per poter ottenere una misura corretta di MPX.
- 10) Collegare il ricevitore come mostrato nel SETUP4 (Fig.7):



- 11) Inserire il filtro LPF 15 KHz (7 Fig.1).
- 12) Agire su R18 per ottenere una lettura di +13dBm.
- 13) Disinserire il filtro LPF 15 KHz e agire su R15 per ottenere nuovamente il livello di +13 dBm.



- 14) Collegare l'equipaggiamento come mostrato nel SETUP5 (Fig.8) per controllare la separazione stereo.
- 15) Nel caso il Decoder stereo sia provvisto della spia OVER RANGE, diminuire il livello audio dell'uscita MPX fino a che la spia non si spegne.
- 16) Iniettare un segnale con portante alla frequenza di lavoro e con modulante a 10KHz con deviazione di 75KHz.
- 17) Verificare che la lettura fatta sullo stereo decoder della separazione stereo dei due canali sia circa 40-45dB, se ciò non fosse agire su R80 e R65, tenendo presente che la separazione stereo tra i due canali deve essere bilanciata (± 2 o 3 dB tra L/R e R/L).
- 18) Iniettare un segnale con portante alla frequenza di lavoro e con modulante a 400Hz con deviazione di 75KHz.
- 19) Se necessario, migliorare la separazione stereo agendo su R71 con la stessa procedura del passo (16).

5.6 TARATURA DELLA CPU

Dopo la sostituzione verificare l'accensione dei display e il funzionamento dei pulsanti UP (14 Fig.1) e DOWN (12 Fig.1) e del tasto ENTER (13 Fig.1) impostando la frequenza di funzionamento del trasmettitore.

Verificare inoltre il funzionamento della porta seriale RS232 (se presente).

Non sono necessarie altre tarature.

5.7 TARATURA DELL'ANAMETER CARD

Selezionare tramite il selettore tutte le misure, verificarne la correttezza ed eventualmente tarare i relativi trimmers secondo la seguente tabella:

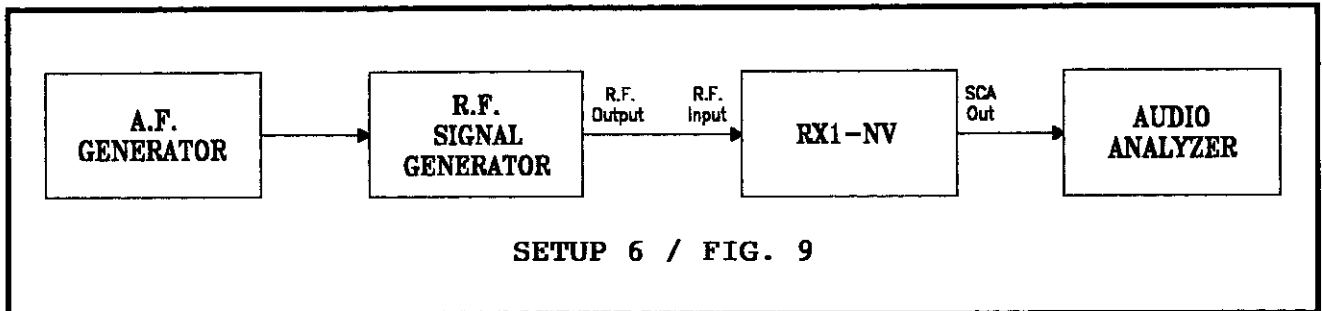
MISURA	VALORE	F.S.	TRIMMER	NOTE
+15V	15V	30V	R18	
+5V	5V	30V	R17	
EXT 24V (Opz.)	24V	30V	R22	
SIGNAL	1mV	1mV	R21	
CENTER	TACCA NERA		R16	1
SCA			R15	2
MONO			R19	3
MPX			R20	4

NOTE:

- 1) La lettura viene effettuata a metà della tacca nera orizzontale presente nello strumento.

- 2) Nel caso di ricevitore non avente uscita SCA dedicata, non è possibile la lettura e la regolazione del livello SCA sulla Modmeter. Se invece questa è presente, dopo aver selezionato con il selettore posto sul pannello frontale la misura SCA e con il selettore della Modmeter la scelta x10, iniettare un segnale a 67-70KHz con deviazione di 7,5KHz.

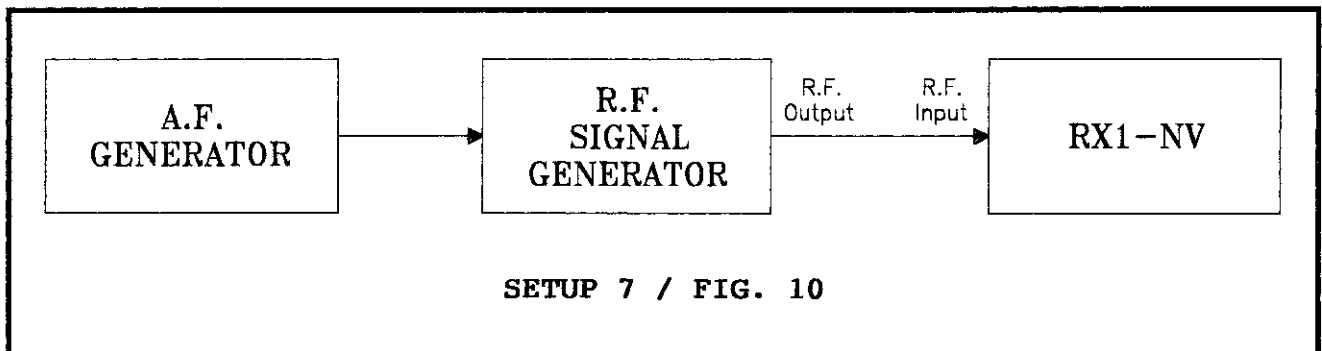
Collegare l'equipaggiamento come mostrato nel SETUP6 (Fig.9):



Regolare il trimmer R28 posto sulla scheda Audio Process per ottenere 0dBm.

Agire su R15 per ottenere l'accensione del primo led rosso della barra di led della Modmeter Card.

- 3) Collegare l'equipaggiamento come mostrato nel SETUP7 (Fig.10).



Porre il selettore della barra di led sulla posizione x1, e iniettare un segnale con portante alla frequenza di lavoro e con modulante a 400Hz con deviazione di 75KHz.

Verificare l'accensione del primo led rosso, in caso contrario agire su R19.

- 4) Ripetere le stesse operazioni fatte al passo 3) per la misura del segnale MPX. Eseguite tutte le operazioni di taratura delle varie grandezze, selezionare una misura differente da SCA, MONO o MPX. Selezionare X10 sulla Modmeter e iniettare un segnale con portante alla frequenza di lavoro e con modulante a 400 Hz con deviazione di 7,5KHz e verificare nuovamente l'accensione del primo led rosso. In caso contrario agire su R4 della scheda Modmeter.

5.8 TARATURA DELLA MODMETER CARD

Per questa taratura fare riferimento al SETUP7 (Fig.10/Pag.79).

- 1) Iniettare un segnale con portante alla frequenza di lavoro e con modulante a 400Hz con deviazione di 75KHz.
- 2) Posizionare l'interruttore sulla posizione "X1".
- 3) Regolare il trimmer R30 sulla scheda Modmeter per l'accensione del 1° led rosso (corrispondente alla scritta 100%).
- 4) Posizionare l'interruttore sulla posizione "X10".
- 5) Iniettare un segnale con portante alla frequenza di lavoro e con modulante a 400Hz con deviazione di 7,5KHz.
- 6) Regolare il trimmer R4 sulla scheda Modmeter per l'accensione del 1° led rosso (corrispondente alla scritta 100%).

5.9 TARATURA DEL POWER SUPPLY

Questo dispositivo non necessita di operazioni di taratura.

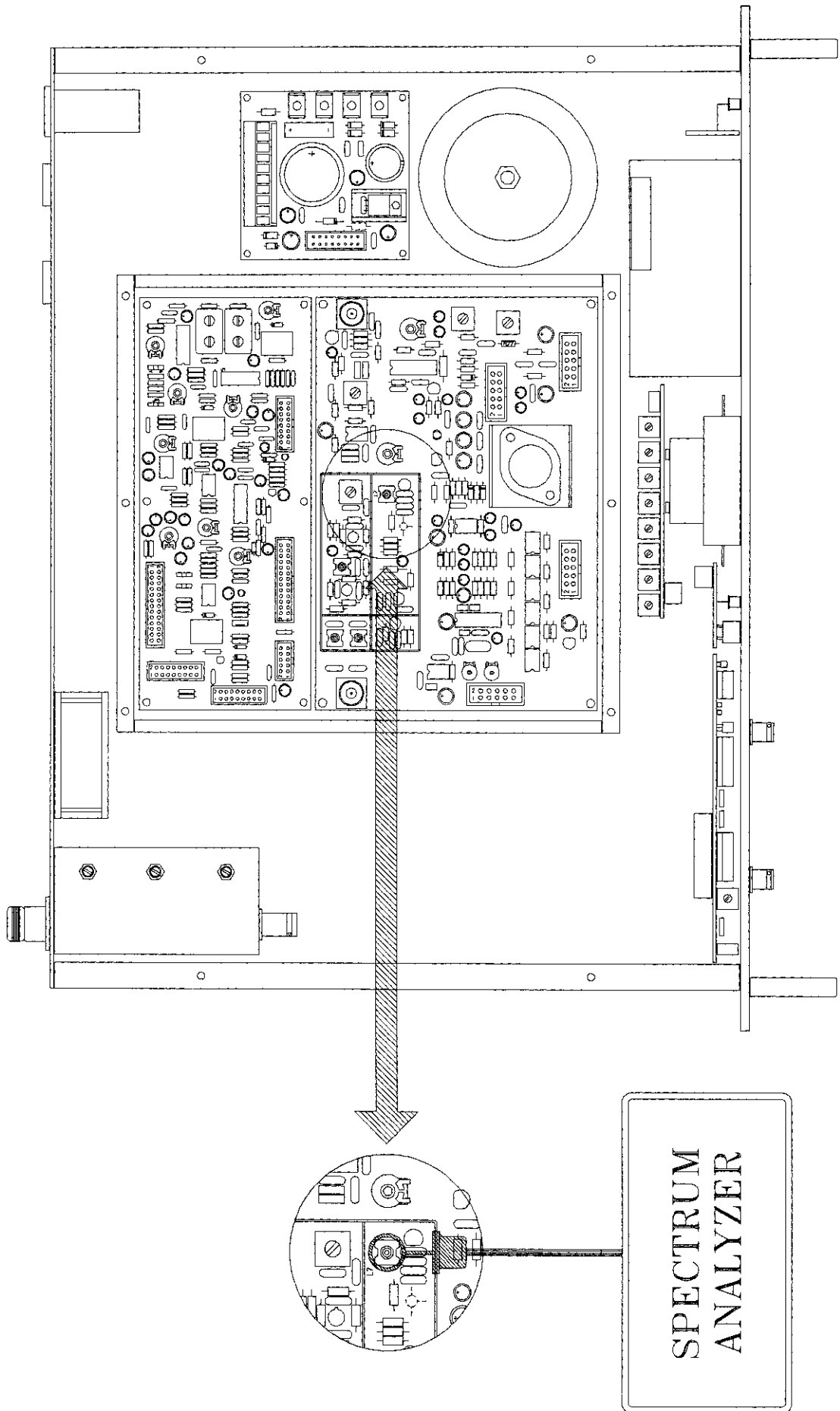
5.10 TARATURA DEL VCO

Per effettuare la taratura del VCO occorre eseguire le seguenti operazioni (SETUP 8 / Fig.11):

- 1) Collegare una sonda induttiva ad un analizzatore di spettro.
- 2) Avvicinare il link induttivo alla bobina L7 della scheda IF 10.7MHz e verificare l'oscillazione del VCO. In caso contrario agire sul nucleo in ferrite della bobina L7 fino ad ottenere l'innesco dell'oscillazione.
- 3) Controllare che si verifichi l'aggancio in fase agli estremi della banda selezionabile.
- 4) Nel caso in cui ciò non si verifichi, collegare il puntale positivo di un volmetro al pin 1 del TL082 del circuito PLL.
- 5) Alla frequenza più alta verificare che vi sia una tensione di circa 12V. In caso contrario, agire nuovamente sul nucleo di L7.
- 6) Verificare che alla frequenza più bassa del range di selezione sia presente la tensione V_{AFC} più bassa (circa 4V).

- 7) Nel caso in cui la taratura venga effettuata a seguito di un cambio di frequenza occorrerà sostituire anche i componenti posti sulla scheda del IF 10.7MHz secondo la tabella D.

TEBELLA D							
RANGE DELLE FREQUENZE	VALORE DEI COMPONENTI						
	L7	C27	C28	C29	C30	C33	C37
87.5MHz-108MHz	8 Spires	27pF	47pF	47pF	27pF	33pF	10pF
66MHz-74MHz	8 Spires	56pF	100pF	100pF	56pF	33pF	/
52MHz-68MHz	8 Spires	47pF+4p7F	100pF+4p7F	100pF	33pF	100pF+4p7F	33pF+4p7F



SETUP 8 / FIG. 11

APPENDIX A

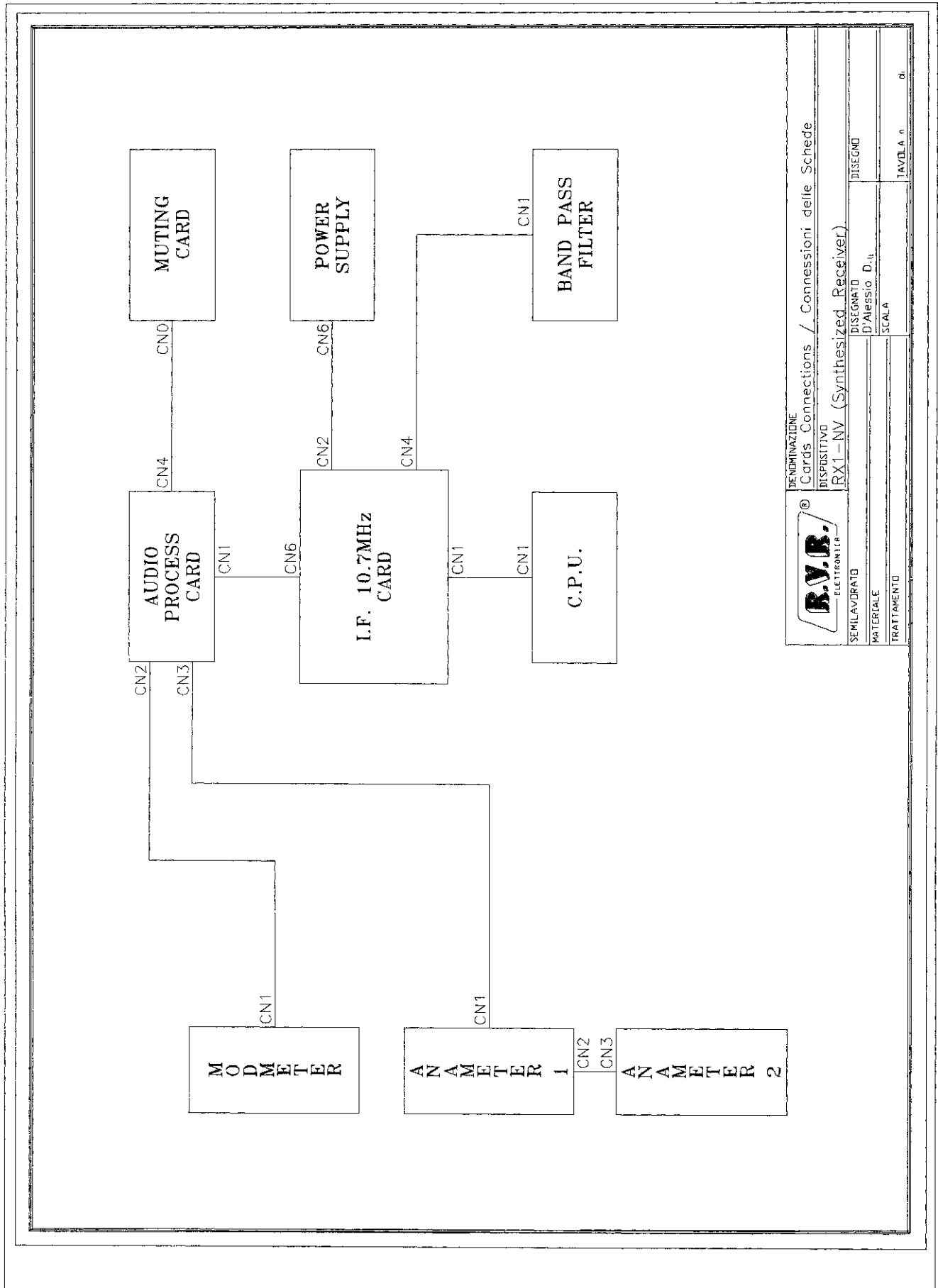
CIRCUIT DIAGRAMS, LAYOUTS AND BILLS OF MATERIAL

This section contains circuit diagrams, layouts and bills of material of the modules which composing the equipment. For more information about each module see as reference Section 2.

APPENDICE A

SCHEMI ELETTRICI, PIANI DI MONTAGGIO E LISTE COMPONENTI

Questo capitolo contiene gli schemi elettrici, i piani di montaggio e le liste componenti delle schede che compongono la macchina. Per ulteriori informazioni riguardanti le singole schede vedere come riferimento il Capitolo 2.



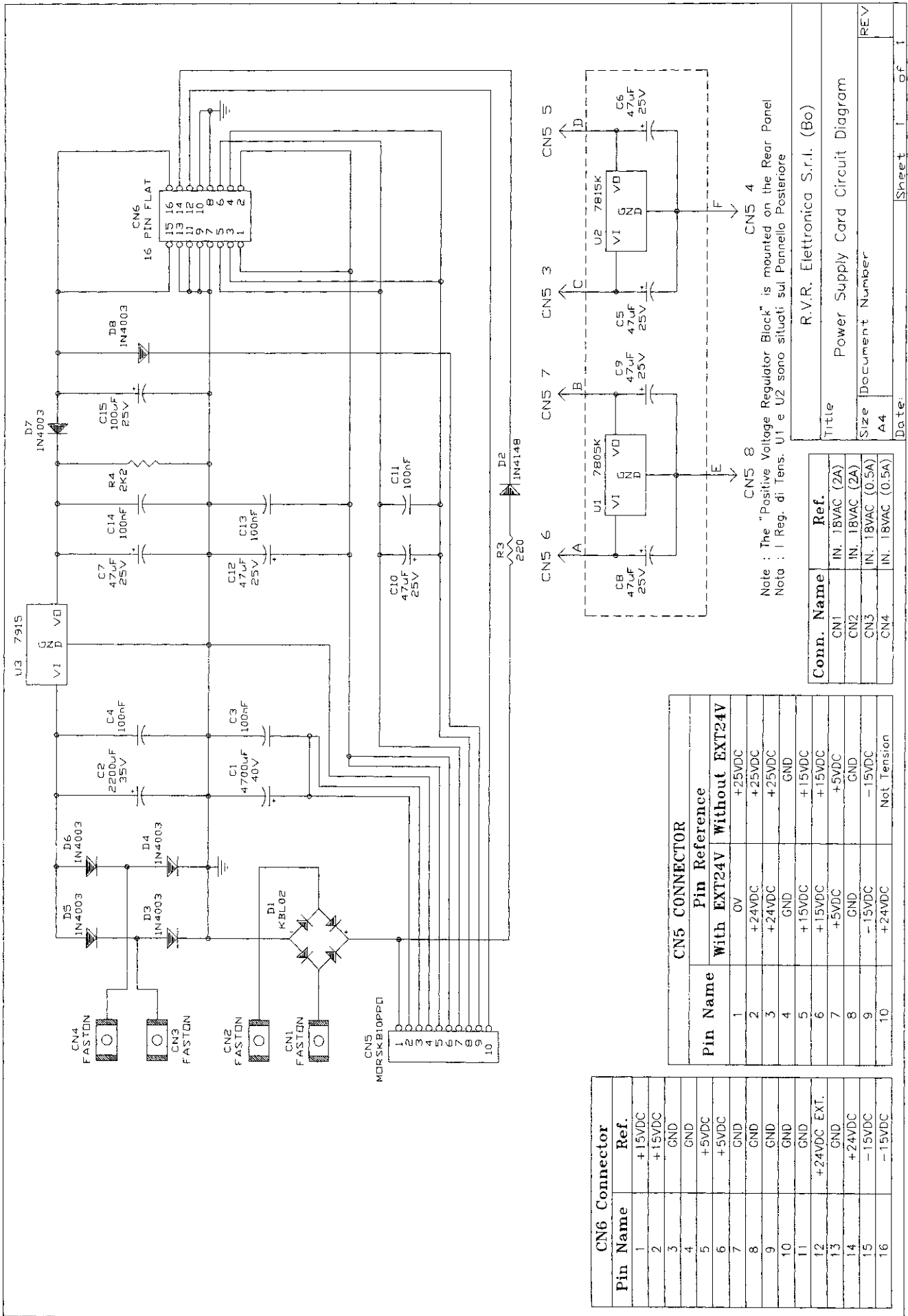
DENOMINAZIONE Cards Connections / Connessioni delle Schede	
DISPOSITIVO RX1-NV (Synthesized Receiver)	
SEMILAVORATO	DISEGNATO D'Alessio D. It.
MATERIALE	SCALA
TRATTAMENTO	TAVOLA n. 01

POWER SUPPLY

<u>1</u>	<u>Circuit Diagram</u>	<u>Pag 86</u>
<u>2</u>	<u>Bill of Materials</u>	<u>Pag 87</u>
<u>3</u>	<u>Component Layout</u>	<u>Pag 88</u>

POWER SUPPLY

<u>1</u>	<u>Schema Elettrico</u>	<u>Pag 86</u>
<u>2</u>	<u>Lista dei Componenti</u>	<u>Pag 87</u>
<u>3</u>	<u>Piano di Montaggio</u>	<u>Pag 88</u>



Note : The "Positive Voltage Regulator Block" is mounted on the Rear Panel
 Nota : I Reg. di Tens. U1 e U2 sono situati sul Pannello Posteriore

CN5 CONNECTOR	
Pin Name	Pin Reference
1	0V
2	+25VDC
3	+24VDC
4	+25VDC
5	GND
6	+15VDC
7	+5VDC
8	GND
9	-15VDC
10	+24VDC

CN6 Connector	
Pin Name	Ref.
1	+15VDC
2	+15VDC
3	GND
4	GND
5	+5VDC
6	+5VDC
7	GND
8	+24VDC EXT.
9	GND
10	+24VDC
11	-15VDC
12	-15VDC
13	GND
14	+24VDC
15	-15VDC
16	-15VDC

Conn. Name	Ref.
CN1	IN. 18VAC (2A)
CN2	IN. 18VAC (2A)
CN3	IN. 18VAC (0.5A)
CN4	IN. 18VAC (0.5A)

R.V.R. Elettronica S.r.l. (Bo)

Title Power Supply Card Circuit Diagram

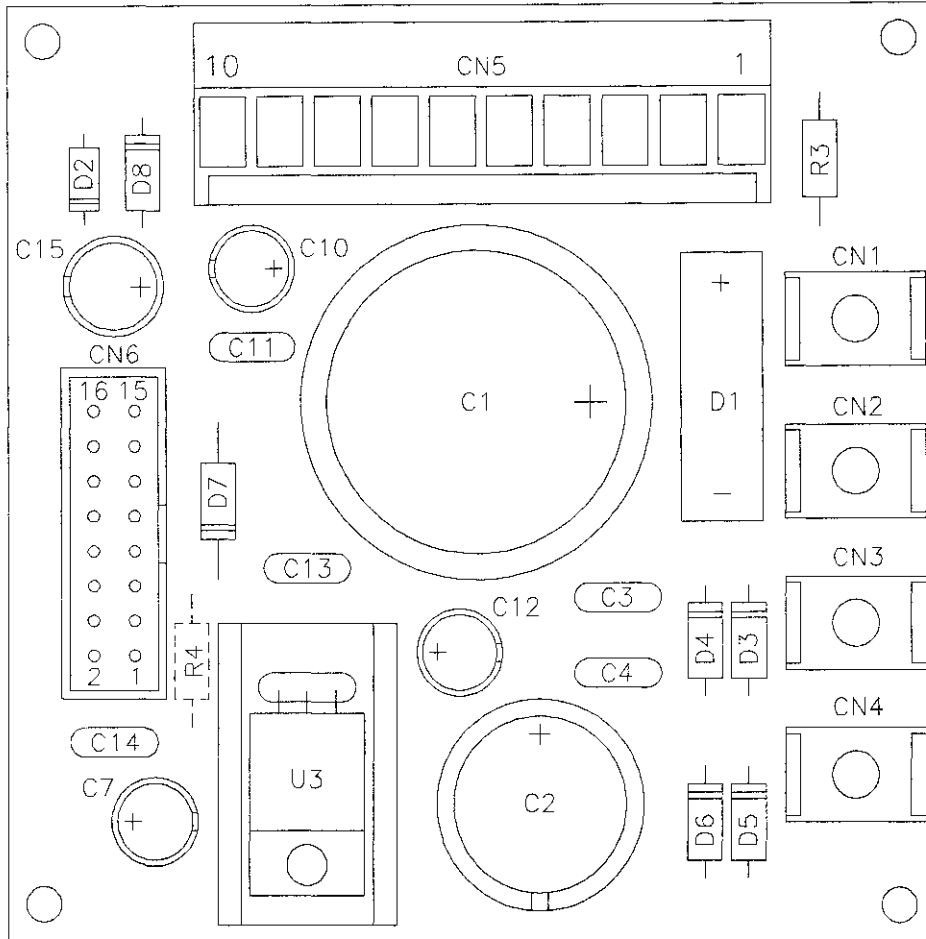
Size Document Number A4


REV

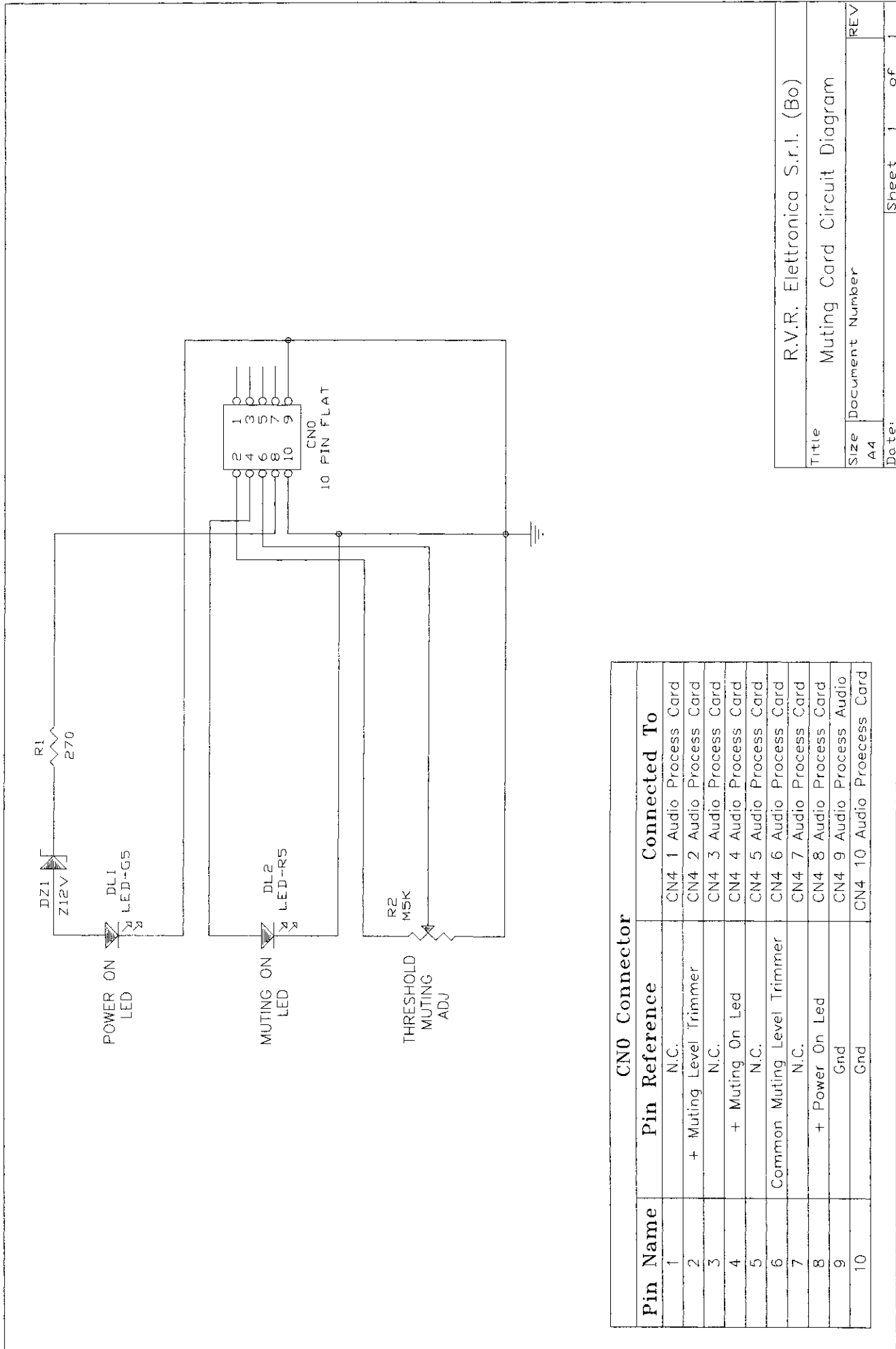
Date:

Sheet 1 of 1

Power Supply Card			Bill of Materials/Lista Componenti		Pag. 1
Item	Quantity	Reference	Part	Description	Part Order Code
1	1	R3	220	RESISTOR 1/4W 5%	RSC1/4JH0220
2	1	R4	2K2	RESISTOR 1/4W 5%	RSC1/4JK02,2
3	5	C3,C4,C11, C13,C14	100nF	CERAMIC CAPACITOR	CKM104BK600P
4	7	C5,C6,C7, C8,C9,C10, C12	47 μ F	ELECTROLYTIC CAPACITOR	CEA476BM630
5	1	C15	100 μ F	ELECTROLYTIC CAPACITOR	CEA107BM350
6	1	C2	2200 μ F	ELECTROLYTIC CAPACITOR	CEA228CM350
7	1	C1	4700 μ F	ELECTROLYTIC CAPACITOR	CEA478GM630
8	4	CN1,CN2, CN3,CN4	FASTON	CONN. FASTON M C.S.	CNTFSTMCSGR
9	1	CN5	MORSKB10PPO	MORS. LUMBERG F. CS 10P	MORSKB10PPO
10	1	CN6	16 PIN FLAT	CONN. M 2*8 PER FLAT C.	CNTMCSFC16P
11	1	D2	1N4148	SILICON DIODE	DIS1N4148
12	6	D3,D4,D5, D6,D7,D8	1N4003	SILICON DIODE 200V	DIS1N4003
13	1	D1	KBL02	DIODE BRIDGE 4A	PNRKBL02
14	1	U1	7805K	POS. STABILIZER 1.5A	CIL7805K
15	1	U2	7815K	POS. STABILIZER 1.5A	CIL7815K
16	1	U3	7915	NEG. STABILIZER 1A	CIL7915P



	DENOMINAZIONE	
	Power Supply Component Layout / Piano di Montaggio	
DISPOSITIVO		
RX1-NV (Synthesized Receiver)		
SEMILAVORATO	DISEGNATO	DISEGNO
MATERIALE	D'Alessio D.ii	
TRATTAMENTO	SCALA	TAVOLA n 1 di 1



CN0 Connector		
Pin Name	Pin Reference	Connected To
1	N.C.	CN4 1 Audio Process Card
2	+ Muting Level Trimmer	CN4 2 Audio Process Card
3	N.C.	CN4 3 Audio Process Card
4	+ Muting On Led	CN4 4 Audio Process Card
5	N.C.	CN4 5 Audio Process Card
6	Common Muting Level Trimmer	CN4 6 Audio Process Card
7	N.C.	CN4 7 Audio Process Card
8	+ Power On Led	CN4 8 Audio Process Card
9	Gnd	CN4 9 Audio Process Audio
10	Gnd	CN4 10 Audio Proecess Card

R.V.R. Elettronica S.r.l. (Bo)

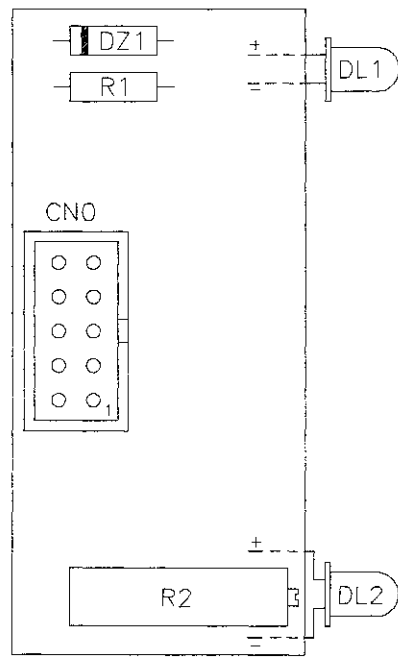
Title: Muting Card Circuit Diagram


Size: A4

Document Number: REV

Date: Sheet 1 of 1

Muting Card			Bill of Materials/Lista Componenti		Pag. 1
Item	Quantity	Reference	Part	Description	Part Order Code
1	1	R1	270	RESISTOR 1/4W 5%	RSC1/4JH0270
2	1	R2	M5K	TRIMMER MULTIGIRI	RVTMULAK0005
3	1	CN0	10 PIN FLAT CONN. M 2*5 PER FLAT C.		CNTMCSFC10P
4	1	DL2	LED-R5	RED LED DIODE	LEDRO05
5	1	DL1	LED-G5	GREEN LED DIODE	LEDVE05
6	1	DZ1	Z12V	ZENER DIODE 12V 0.4W	DIZ12VOW4



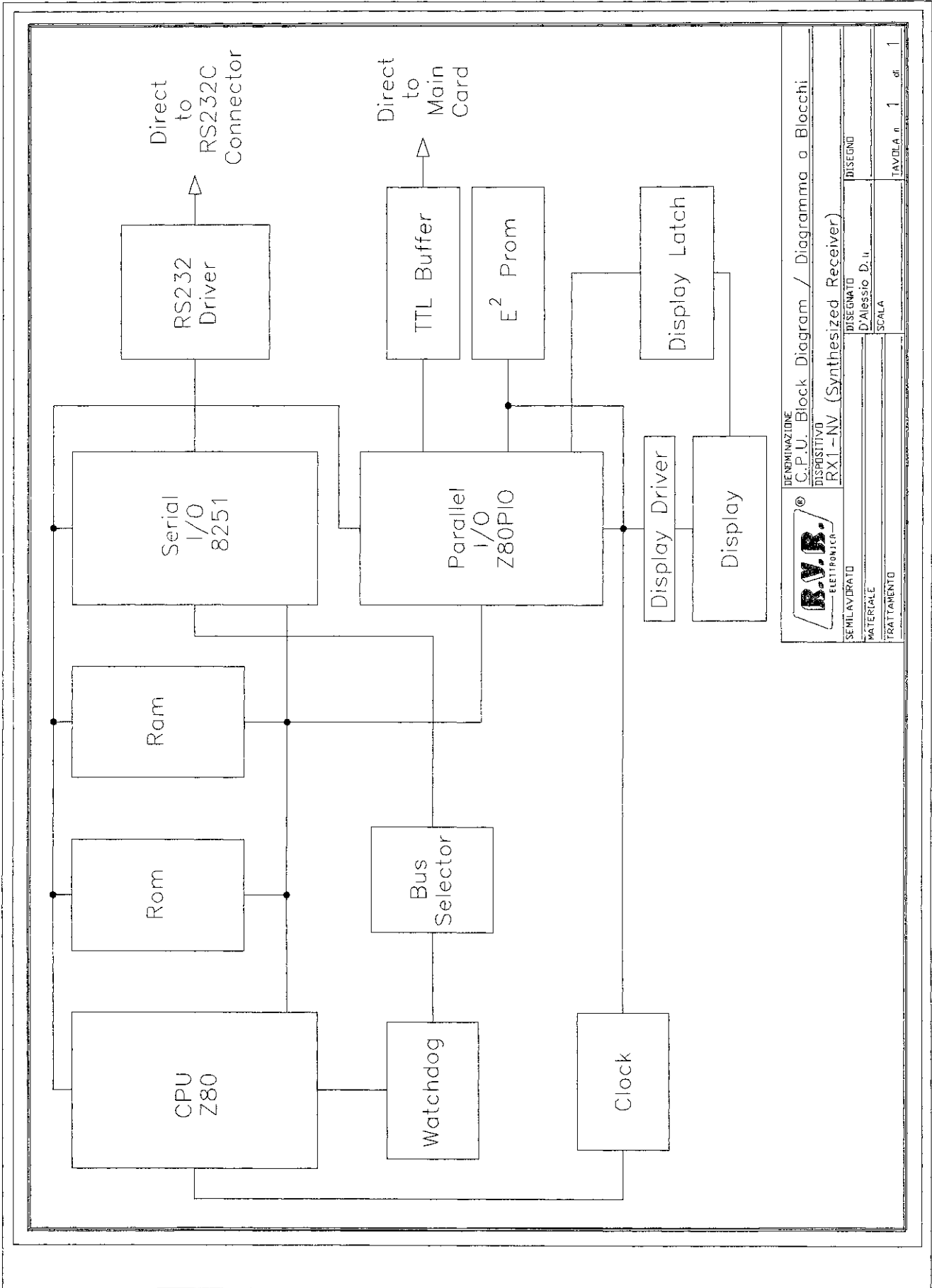
	DENOMINAZIONE	
	Muting Card Component Layout / Piano di Montaggio	
	DISPOSITIVO	
	RX1-NV (Synthesized Receiver)	
SEMILAVORATO	DISEGNATO	DISEGNO
MATERIALE	D'Alessio D. U	
TRATTAMENTO	SCALA	
		TAVOLA n 1 di 1


C.P.U.

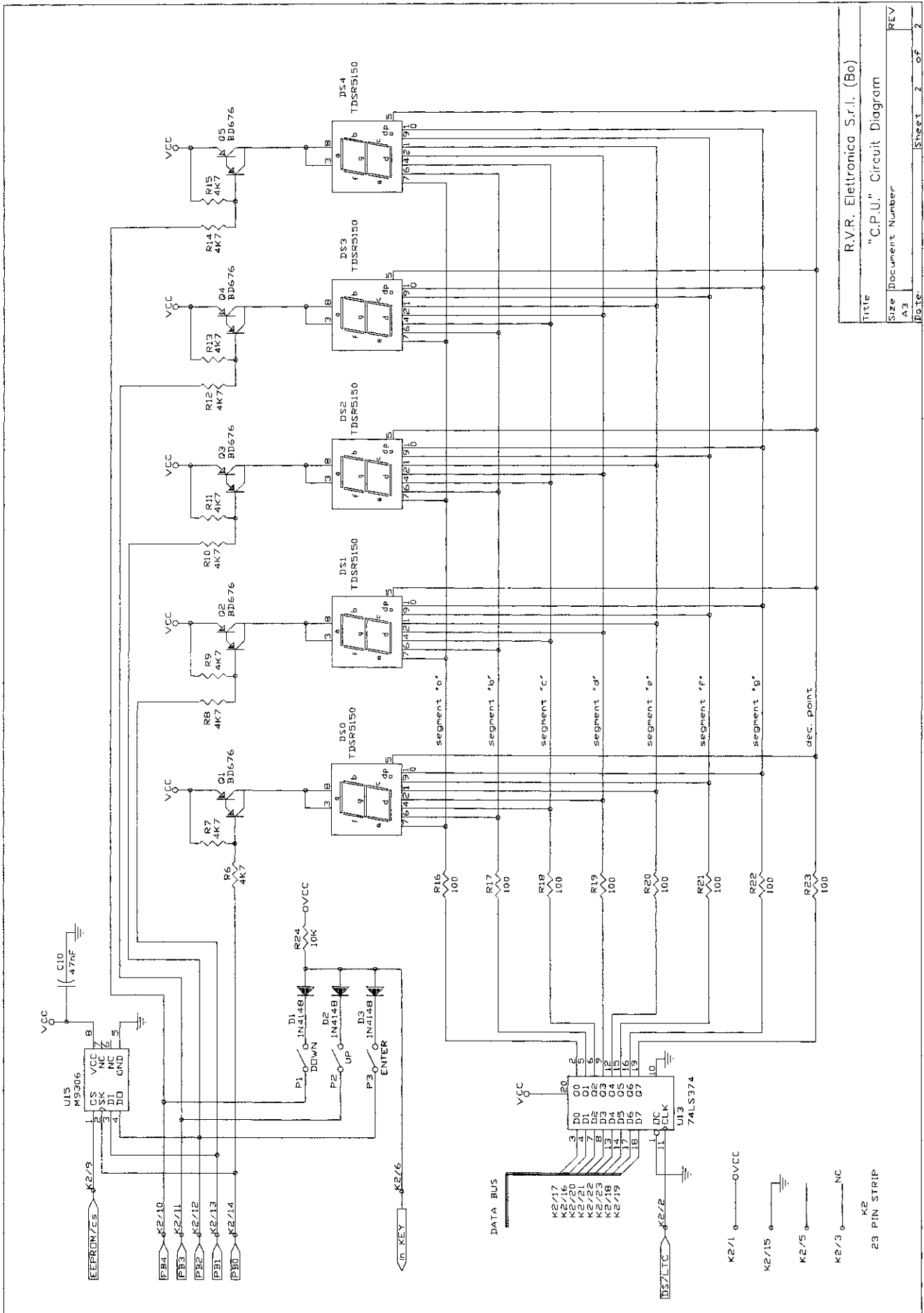
<u>1</u>	<u>Block Diagram</u>	<u>Pag 94</u>
<u>2</u>	<u>Circuit Diagram</u>	<u>Pag 95</u>
<u>3</u>	<u>Bill of Materials</u>	<u>Pag 97</u>
<u>4</u>	<u>Component Layout</u>	<u>Pag 99</u>

C.P.U.

<u>1</u>	<u>Diagramma a Blocchi</u>	<u>Pag 94</u>
<u>2</u>	<u>Schema Elettrico</u>	<u>Pag 95</u>
<u>3</u>	<u>Lista dei Componenti</u>	<u>Pag 97</u>
<u>4</u>	<u>Piano di Montaggio</u>	<u>Pag 99</u>



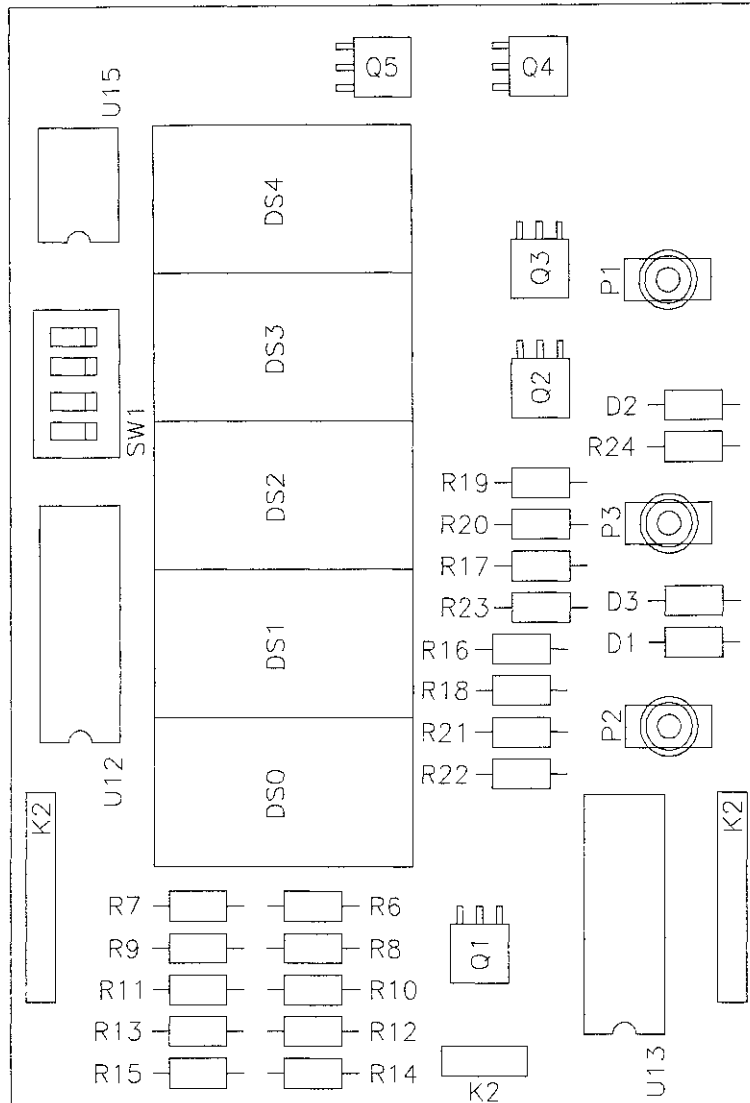
		DENOMINAZIONE C.P.U. Block Diagram / Diagramma a Blocchi	
SEMILAVORATO		DISSEGNO	
MATERIALE		D'ALESSIO D. U.	
TRATTAMENTO		SCALA	
RX1-NV (Synthesized Receiver)		TAVOLA n. 1 of 1	



R.V.R. Elettronica S.r.l. (Bo)	
Title "C.P.U." Circuit Diagram	
Size	Document Number
A3	REV
Page	Sheet 2 of 2

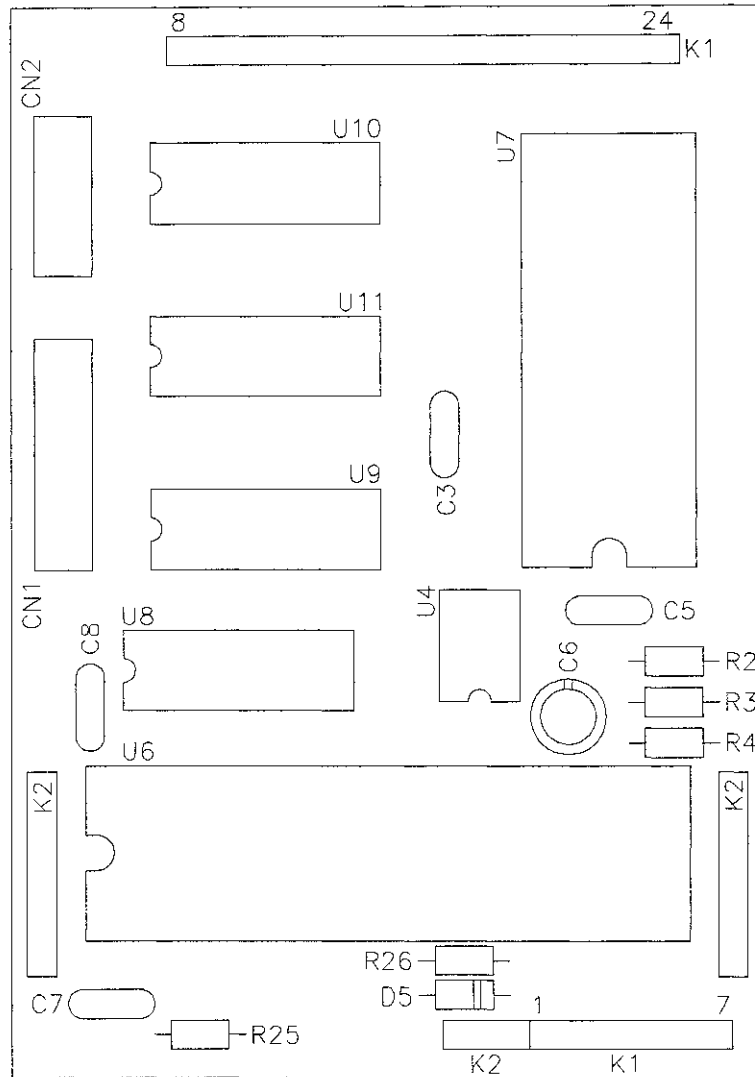
"C.P.U."			Bill of Materials/Lista Componenti		Pag. 1
Item	Quantity	Reference	Part	Description	Part Order Code
1	2	R1,R2	680	RESISTOR 1/4W 5%	RSC1/4JH0680
2	1	R3	10K	RESISTOR 1/4W 5%	RSC1/4JK0010
3	2	R4,R5	33K	RESISTOR 1/4W 5%	RSC1/4JK0033
4	1	C1	47pF	CERAMIC CAPACITOR NPO	CKM470BJ600C
5	5	C3,C4,C7, C8,C9	47nF	CERAMIC CAPACITOR	CKM473BK600P
6	1	C5	0.1 μ F	CERAMIC CAPACITOR	CKM104BK600P
7	1	C6	1 μ F	ELECTROLYTIC CAPACITOR	CEA105AM630
8	1	C2	10 μ F	ELECTROLYTIC CAPACITOR	CEA106AM350
9	1	K1	24P STRIP	STRIP M P 2.54 24 PIN	CNTSTRIPMCS
10	1	K2A	23P F STRIP	STRIP F P 2.54 23 PIN	CNTSTRIPFCS
11	1	K1A	24P F STRIP	STRIP F P 2.54 24 PIN	CNTSTRIPFCS
12	1	CN2	10P CONN.	CONN. M 2*5 P 2.54	CNTMCSFC10P
13	1	CN1	16P CONN.	CONN. M 2*8 P 2.54	CNTMCSFC16P
14	1	XTAL1	Q2.4576MHz	CRYSTAL	QRZ2,45HC18
15	1	U10	1488	TTL LEV. SHIFT RS232	CID1488
16	1	U11	1489	TTL LEV. SHIFT RS232	CID1489
17	2	U4,U12	4040	CMOS DIVIDER	CID4040
18	1	U8	74LS04	TTL HEX INVERTER	CID74LS04
19	1	U5	74LS14	TTL HEX INVERT. TRIGGER	CID74LS14
20	1	U9	74LS32	TTL QUAD OR	CID74LS32
21	1	U1	Z80-CPU	CPU	CIDZ80CPU
22	1	U6	Z80-PIO	PARALLEL I/O PORT	CIDZ80PIO
23	1	U7	8251	SERIAL I/O PORT	CID8251
24	1	U3	6264	RAM MEMORY 8KBYTE	CID6264
25	1	U2	2764	EPROM MEMORY 8KBYTE	CID2764
26	1	U14	H606016-8PI	STANDALONE WATCHDOG	CIDH606016
27	1	ZC1	ZOC8	ZOCCOLO INTEGRATO 8 PIN	ZIN08
28	5	ZC2,ZC3, ZC4,ZC5,ZC6	ZOC14	ZOCCOLO INTEGRATO 14P	ZIN14


"C.P.U."		Bill of Materials/Lista Componenti			Pag. 2
Item	Quantity	Reference	Part	Description	Part Order Code
29	2	ZC7,ZC8	ZOC16	ZOCCOLO INTEGRATO 16 P	ZIN16
30	3	ZC9,ZC10, ZC11	ZOC28	ZOCCOLO INTEGRATO 28 P	ZIN28
31	2	ZC12,ZC13	ZOC40	ZOCCOLO INTEGRATO 40 P	ZIN40
32	1	CS2	CPU2	CS I/O CPU 2-1 (2-2)	PCBCPU2
33	1	SW1	WIRE JUMPER	PONTICELLO A FILO	WIREJUMPER
34	2	JP1,R25	N.C.	NOT CONNECTED	
35	8	R16,R17, R18,R19, R20,R21, R22,R23	100	RESISTOR 1/4W 5%	RSC1/4JH0100
36	10	R6,R7,R8, R9,R10,R11, R12,R13,R14, R15	4K7	RESISTOR 1/4W 5%	RSC1/4JK04,7
37	1	R24	10K	RESISTOR 1/4W 5%	RSC1/4JK0010
38	1	C10	47nF	CERAMIC CAPACITOR	CKM473BK600P
39	1	K2	23 P STRIP	STRIP M P 2.54 23 PIN	CNTSTRIPMCS
40	3	P1,P2,P3	P1V 2P	PULSANTE 1 VIA 2 POS	PLS1V11M03CS
41	3	D1,D2,D3	1N4148	SILICON DIODE	DIS1N4148
42	5	DS1,DS2, DS3,DS4,DS0	TDSR5150	7 SEGM. DISPLAY	DSPAC14RO
43	5	Q1,Q2,Q3, Q4,Q5	BD676	PNP DARLINGTON	TRNBD676
44	1	U13	74LS374	TTL LATCH	CID74LS374
45	1	U15	M9306	EEPROM 256BIT	CIDM9306
46	1	ZC14	ZOC8	ZOCCOLO INTEGRATO 8 P	ZIN08
47	1	ZC15	ZOC20	ZOCCOLO INTEGRATO 20 P	ZIN20
48	2	ZC16,ZC17	ZOC24	ZOCCOLO INTEGRATO 24 P	ZIN24
49	2	ZC18,ZC19	ZOC28	ZOCCOLO INTEGRATO 28 P	ZIN28
50	1	CS3	CPU3	CS DISPL PULS CPU 3-1	PCBCPU3

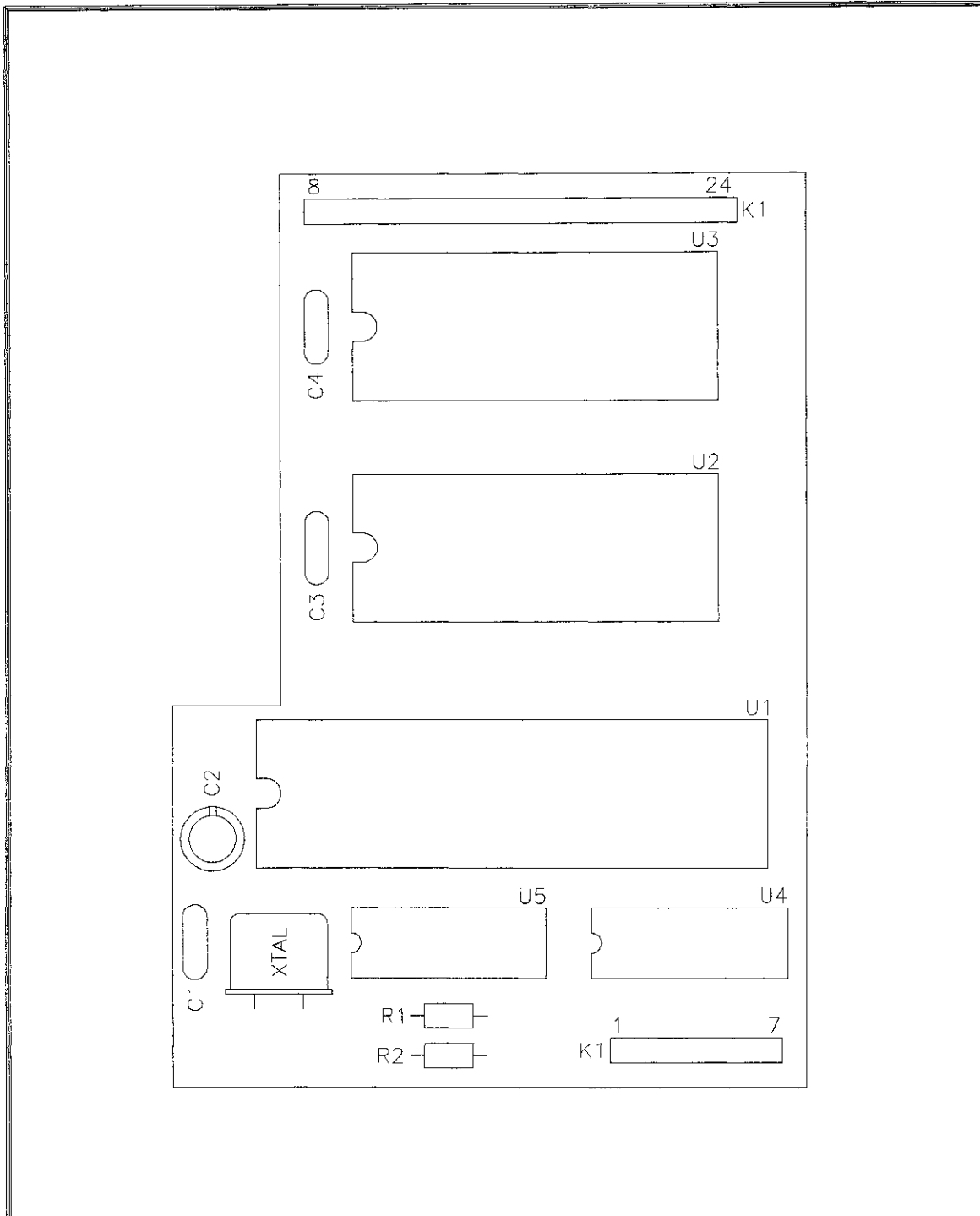



DENOMINAZIONE
C.P.U. Component Layout / Piano di Montaggio
DISPOSITIVO
RX1-NV (Synthesized Receiver)

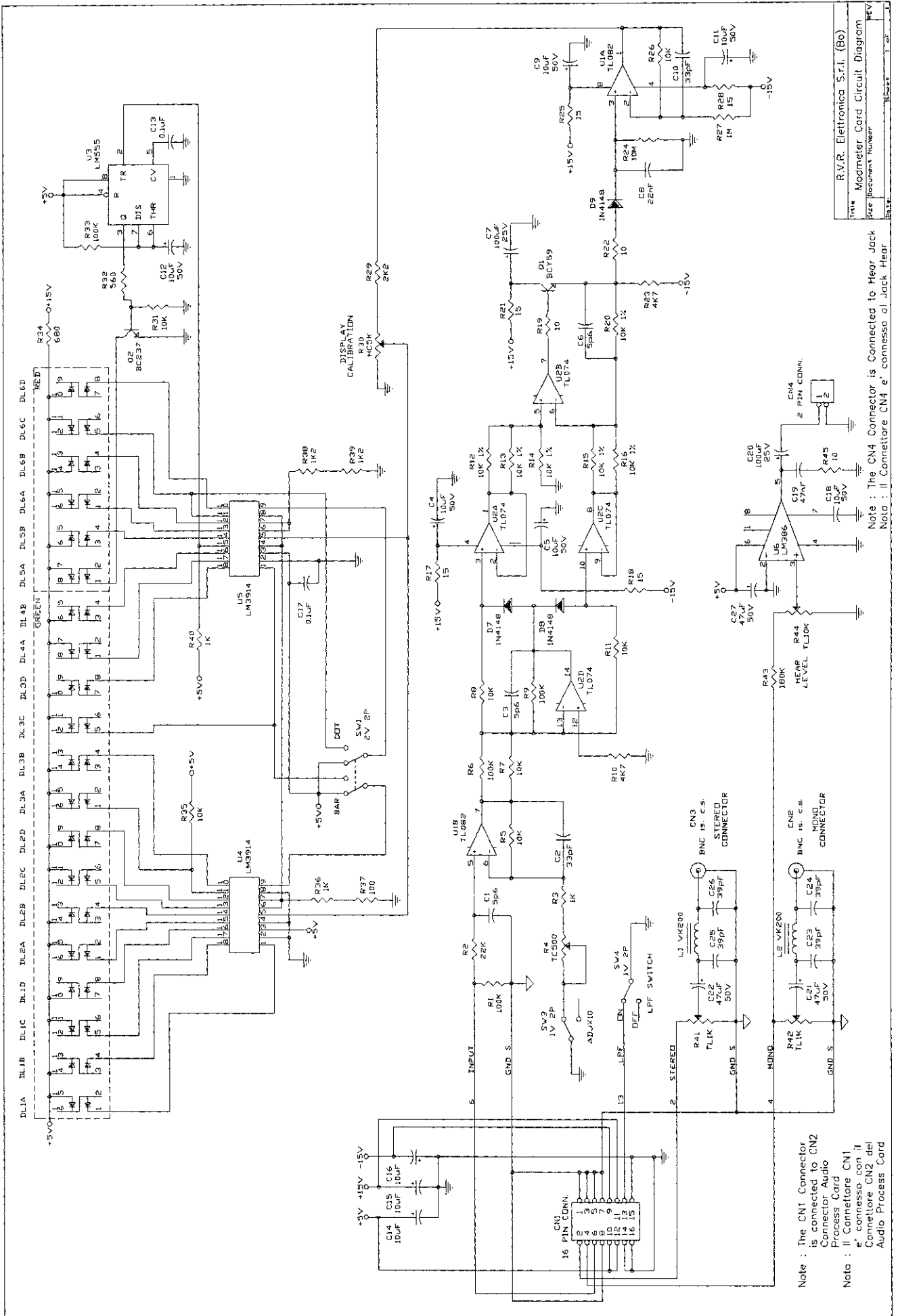
SEMILAVORATO	DISEGNATO D'Alessio D.t.	DISEGNO
MATERIALE	SCALA	
TRATTAMENTO	TAVOLA n. 1 di 3	



	DENOMINAZIONE	
	C.P.U. Component Layout / Piano di Montaggio	
DISPOSITIVO		
RX1-NV (Synthesized Receiver)		
SEMILAVORATO	DISEGNATO	DISEGNO
MATERIALE	D'Alessio D.ii	
TRATTAMENTO	SCALA	TAVOLA n 2 di 3



	DENOMINAZIONE	
	C.P.U. Component Layout / Piano di Montaggio	
	DISPOSITIVO	
	RX1-NV (Synthesized Receiver)	
SEMILAVORATO	DISEGNATO	DISEGNO
MATERIALE	D'Alessio D.II	
TRATTAMENTO	SCALA	
		TAVOLA n. 3 di 3



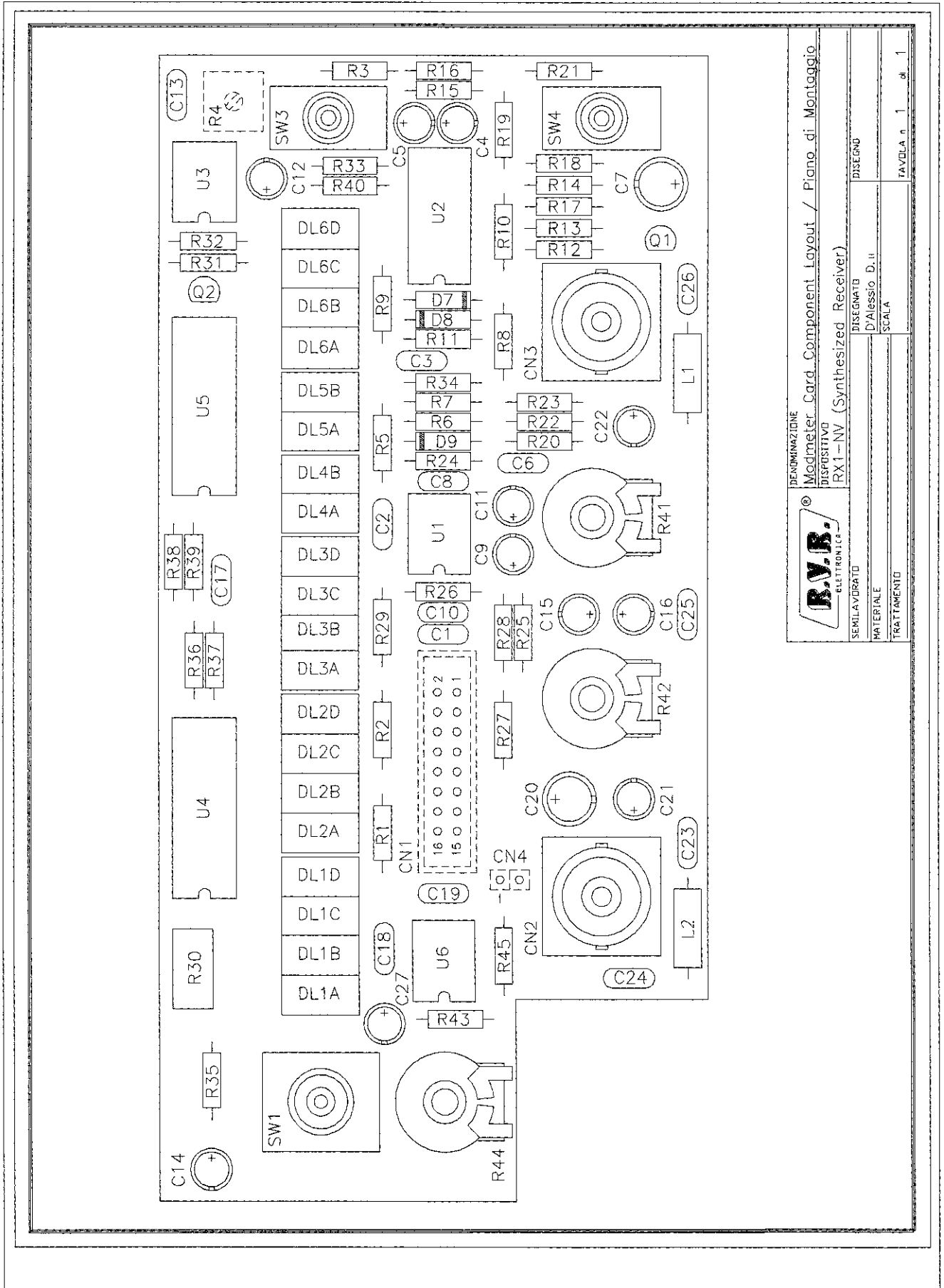
R.V.R. Elettronica S.r.l. (Bo)
 Modemeter Card Circuit Diagram
 Rev. 1.0

Note : The CN4 Connector is Connected to Hear Jack
 Nota : Il Connettore CN4 e' connesso al Jack Hear

Note : The CN1 Connector is connected to CN2 Connector Audio Process Card
 Nota : Il Connettore CN1 e' connesso con il Connettore CN2 del Audio Process Card

Modmeter Card		Bill of Materials/Lista Componenti			Pag. 1
Item	Quantity	Reference	Part	Description	Part Order Code
1	3	R19,R22,R45	10	RESISTOR 1/4W 5%	RSC1/4JH0010
2	5	R17,R18 R21,R25,R28	15	RESISTOR 1/4W 5%	RSC1/4JH0015
3	1	R37	100	RESISTOR 1/4W 5%	RSC1/4JH0100
4	1	R32	560	RESISTOR 1/4W 5%	RSC1/4JH0560
5	1	R34	680	RESISTOR 1/4W 5%	RSC1/4JH0680
6	3	R3,R36,R40	1K	RESISTOR 1/4W 5%	RSC1/4JK0001
7	2	R38,R39	1K2	RESISTOR 1/4W 5%	RSC1/4JK01,2
8	1	R29	2K2	RESISTOR 1/4W 5%	RSC1/4JK02,2
9	2	R10,R23	4K7	RESISTOR 1/4W 5%	RSC1/4JK04,7
10	6	R12,R13, R14,R15, R16,R20	10K 1%	RESISTOR 1/4W 1%	RSM1/4FK0010
11	7	R5,R7,R8, R11,R26, R31,R35	10K	RESISTOR 1/4W 5%	RSC1/4JK0010
12	1	R2	22K	RESISTOR 1/4W 5%	RSC1/4JK0022
13	4	R1,R6,R9, R33	100K	RESISTOR 1/4W 5%	RSC1/4JK0100
14	1	R43	180K	RESISTOR 1/4W 5%	RSC1/4JK0180
15	1	R27	1M	RESISTOR 1/4W 5%	RSC1/4JM0001
16	1	R24	10M	RESISTOR 1/4W 5%	RSC1/4JM0010
17	1	R4	TC500	TRIM. REG. VERT. CERMET	RVTCERVH0500
18	2	R41,R42	TL1K	TRIMMER REG. VERT. 15mm	RVTD15VK0001
19	1	R44	TL10K	TRIMMER REG. VERT. 15mm	RVTD15VK0010
20	1	R30	HC5K	TRIM. REG. ORIZ. CERMET	RVTCEROK0005
21	3	ALB1,ALB2, ALB3	ALB	ALBERINO TRIMMER 15mm	ALBERINOXRVT
22	3	C1,C3,C6	5p6	CERAMIC CAPACITOR NPO	CKM5,6BJ600C
23	2	C2,C10	33pF	CERAMIC CAPACITOR NPO	CKM330BJ600C
24	4	C23,C24, C25,C26	39pF	CERAMIC CAPACITOR NPO	CKM390BJ600C
25	1	C8	22nF	CERAMIC CAPACITOR	CKM223BK600P

Modmeter Card			Bill of Materials/Lista Componenti		Pag. 2
Item	Quantity	Reference	Part	Description	Part Order Code
26	1	C19	47nF	CERAMIC CAPACITOR	CKM473BK600P
27	2	C13,C17	0.1 μ F	CERAMIC CAPACITOR	CKM104BK600P
28	9	C4,C5,C9, C11,C12, C14,C15, C16,C18	10 μ F	ELECTROLYTIC CAPACITOR	CEA106AM350
29	3	C21,C22,C27	47 μ F	ELECTROLYTIC CAPACITOR	CEA476BM630
30	2	C7,C20	100 μ F	ELECTROLYTIC CAPACITOR	CEA107BM350
31	2	L1,L2	VK200	RF CHOKE	IMPVK200
32	1	CN4	2P CONN.	CONN. M 2*1 P 2.54	CNTM2PCS
33	1	CN1	16P CONN.	CONN. M 2*8 P 2.54	CNTMCSFC16P
34	2	CN2,CN3	BNC IS. CS	CONN. BNC A STAMP. IS.	CNTBNCFCISIS
35	2	SW3,SW4	1V 2P	DEVIATORE 1 VIA 2 POS	DEV1V1103CS
36	1	SW1	2V 2P	DEVIATORE 2 VIE 2 POS	DEV2V1103CS
37	3	D7,D8,D9	1N4148	SILICON DIODE	DIS1N4148
38	1	DL5	HLMP2600	2 RED LED DIODE	LEDHLMP2600
39	1	DL6	HLMP2620	4 RED LED DIODE	LEDHLMP2620
40	1	DL4	HLMP2800	2 GREEN LED DIODE	LEDHLMP2800
41	3	DL1,DL2,DL3	HLMP2820	4 GREEN LED DIODE	LEDHLMP2820
42	1	Q2	BC237	NPN TRANSISTOR	TRNBC237
43	1	Q1	BCY59	NPN TRANSISTOR	TRNBCY59
44	1	U1	TL082	DOUBLE OP. AMP.	CILTL082
45	1	U2	TL074	QUAD OP. AMP.	CILTL074
46	1	U6	LM386	LOW POWER AMPLIFIER	CILLM386
47	1	U3	LM555	TIMER	CIL555
48	2	U4,U5	LM3914	BAR DOT LED DRIVER	CILLM3914



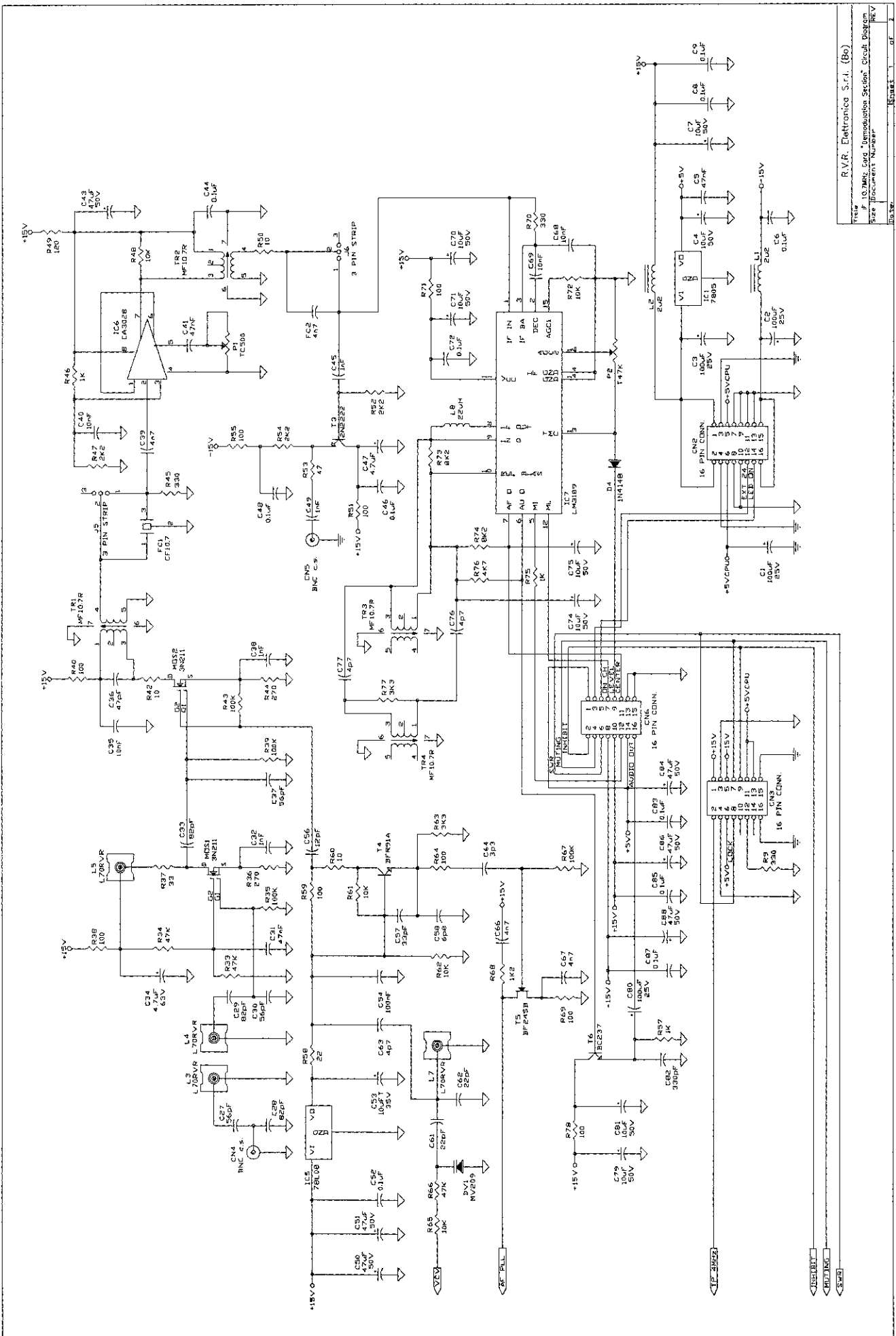
DENOMINAZIONE Modem Card Component Layout / Piano di Montaggio	
DISTRIBUITO RX1-NV (Synthesized Receiver)	
SEMILAVORATO	DISEGNATO D'Alessio D. II
MATERIALE	SCALA
TRATTAMENTO	TAVOLA n. 1 di 1

IF 10.7 MHZ CARD

<u>1</u>	<u>IF 10.7 MHz 1 Circuit Diagram</u>	<u>Pag 108</u>
<u>2</u>	<u>IF 10.7 MHz 1 Bill of Materials</u>	<u>Pag 109</u>
<u>3</u>	<u>IF 10.7 MHz 2 Circuit Diagram</u>	<u>Pag 112</u>
<u>4</u>	<u>IF 10.7 MHz 2 Bill of Materials</u>	<u>Pag 113</u>
<u>5</u>	<u>IF 10.7 MHz Component Layout</u>	<u>Pag 115</u>

IF 10.7 MHZ CARD

<u>1</u>	<u>Schema Elettrico della Scheda IF 10.7 MHz 1</u>	<u>Pag 108</u>
<u>2</u>	<u>Lista dei Componenti della Scheda IF 10.7 MHz 1</u>	<u>Pag 109</u>
<u>3</u>	<u>Schema Elettrico della Scheda IF 10.7 MHz 1</u>	<u>Pag 112</u>
<u>4</u>	<u>Lista dei Componenti della Scheda IF 10.7 MHz 1</u>	<u>Pag 113</u>
<u>6</u>	<u>Piano di Montaggio della Scheda IF 10.7 MHz</u>	<u>Pag 115</u>



File	R.V.R. Elettronica S.r.l. (Bo)
Size	10.7MHz Local Demodulation Section Circuit Diagram
Rev	REV
Doc No.	Doc No.

IF 10.7 MHz Card Bill of Materials/Lista Componenti Pag. 1
 "Demodulation Section"

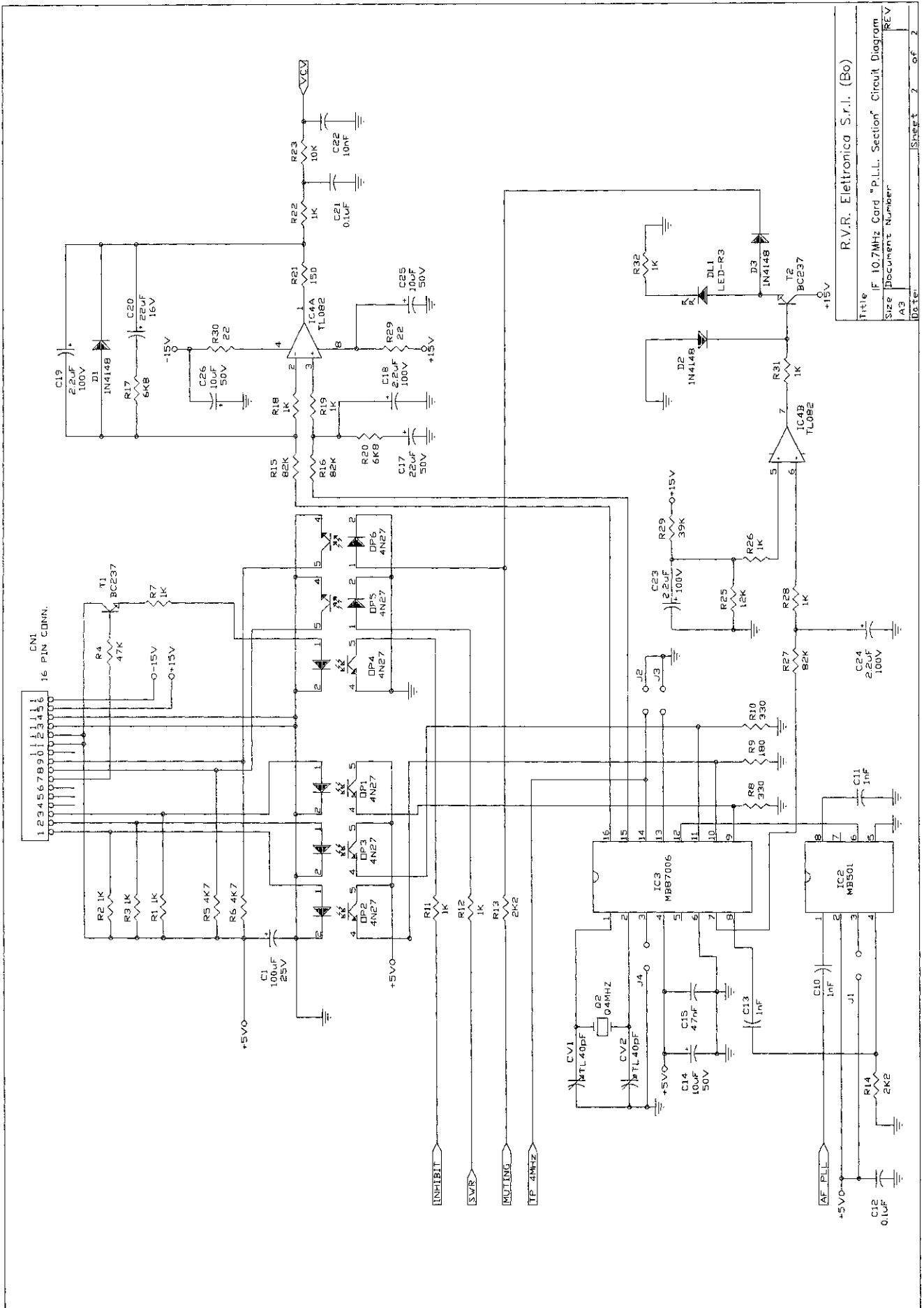
Item	Quantity	Reference	Part	Description	Part Order Code
1	3	R42,R50,R60	10	RESISTOR 1/4W 5%	RSC1/4JH0010
2	1	R58	22	RESISTOR 1/4W 5%	RSC1/4JH0022
3	1	R37	33	RESISTOR 1/4W 5%	RSC1/4JH0033
4	1	R53	47	RESISTOR 1/4W 5%	RSC1/4JH0047
5	9	R38,R40,R51, R55,R59,R64, R69,R71,R78	100	RESISTOR 1/4W 5%	RSC1/4JH0100
6	1	R49	120	RESISTOR 1/4W 5%	RSC1/4JH0120
7	2	R36,R44	270	RESISTOR 1/4W 5%	RSC1/4JH0270
8	3	R9,R45,R70	330	RESISTOR 1/4W 5%	RSC1/4JH0330
9	3	R46,R57,R75	1K	RESISTOR 1/4W 5%	RSC1/4JK0001
10	1	R68	1K2	RESISTOR 1/4W 5%	RSC1/4JK01,2
11	3	R47,R52,R54	2K2	RESISTOR 1/4W 5%	RSC1/4JK02,2
12	2	R63,R77	3K3	RESISTOR 1/4W 5%	RSC1/4JK03,3
13	1	R76	4K7	RESISTOR 1/4W 5%	RSC1/4JK04,7
14	2	R73,R74	8K2	RESISTOR 1/4W 5%	RSC1/4JK08,2
15	5	R48,R61,R62, R65,R72	10K	RESISTOR 1/4W 5%	RSC1/4JK0010
16	3	R33,R34,R66	47K	RESISTOR 1/4W 5%	RSC1/4JK0047
17	4	R35,R39,R43, R67	100K	RESISTOR 1/4W 5%	RSC1/4JK0100
18	1	P1	TC500	TRIMMER R. VERT. CERMET	RVTCERVH0500
19	1	P2	T47K	TRIMMER R. VERT. 10mm	RVTD10VK0047
20	1	C64	3p3	CERAMIC CAPACITOR NPO	CKM3,3BJ600C
21	3	C63,C76,C77	4p7	CERAMIC CAPACITOR NPO	CKM4,7BJ600C
22	1	C58	6p8	CERAMIC CAPACITOR NPO	CKM6,8BJ600C
23	1	C56	12pF	CERAMIC CAPACITOR NPO	CKM120BJ600C
24	2	C61,C62	22pF	CERAMIC CAPACITOR NPO	CKM220BJ600C
25	1	C57	33pF	CERAMIC CAPACITOR NPO	CKM330BJ600C
26	1	C36	47pF	CERAMIC CAPACITOR NPO	CKM470BJ600C

IF 10.7 MHz Card Bill of Materials/Lista Componenti Pag. 2
 "Demodulation Section"

Item	Quantity	Reference	Part	Description	Part Order Code
27	3	C27,C30,C37	56pF	CERAMIC CAPACITOR NPO	CKM560BJ600C
28	3	C28,C29,C33	82pF	CERAMIC CAPACITOR NPO	CKM820BJ600C
29	1	C82	330pF	CERAMIC CAPACITOR	CKM331BK600P
30	4	C32,C38,C45, C49	1nF	CERAMIC CAPACITOR	CKM102BK600P
31	4	FC2,C39,C66, C67	4n7	CERAMIC CAPACITOR	CKM472BK600P
32	4	C35,C40,C68, C69	10nF	CERAMIC CAPACITOR	CKM103BK600P
33	3	C5,C31,C41	47nF	CERAMIC CAPACITOR	CKM473BK600P
34	1	C54	100nF	CERAMIC CAPACITOR	CKM104BK600P
35	11	C6,C8,C9,C44, C46,C48,C52, C72,C83,C85, C87	0.1 μ F	CERAMIC CAPACITOR	CKM104BK600P
36	2	C34,C47	4.7 μ F	ELECTROLYTIC CAPACITOR	CEA475AM350
37	8	C4,C7,C70, C71,C74,C75, C79,C81	10 μ F	ELECTROLYTIC CAPACITOR	CEA106AM350
38	1	C53	10 μ FT	TANTALIUM CAPACITOR	CET106AM350
39	6	C43,C50,C51, C84,C86,C88	47 μ F	ELECTROLYTIC CAPACITOR	CEA476BM630
40	4	C1,C2,C3,C80	100 μ F	ELECTROLYTIC CAPACITOR	CEA107BM350
41	2	L1,L2	2 μ 2H	RF CHOKE	IMPO2U2A
42	1	L8	22 μ H	RF CHOKE	IMP22U0A
43	4	L3,L4,L5,L7	L7ORVR	BOBINA 70MHz	FBPB70MHZ
44	4	TR1,TR2,TR3,	MF10.7R	MED.FREQ.10.7MHz ROSA	TRFMF110
45	2	J5,J6	3P STRIP	STRIP M P 2.54 3 PIN	CNTSTRIPMCS
46	3	CN2,CN3,CN6	16P CONN.	CONN. M 2*8 P 2.54	CNTMCSFC16P
47	2	CN4,CN5	BNC C.S.	CONN. BNC A STAMPATO	CNTBNCFCSD
48	1	FC1	CF10.7	CERAMIC FILTER 10.7MHZ	FCKSFE10.7MX
49	1	D4	1N4148	SILICON DIODE	DIS1N4148
50	1	DV1	MV209	VARICAP DIODE	DIVMV209

IF 10.7 MHz Card Bill of Materials/Lista Componenti Pag. 3
"Demodulation Section"

Item	Quantity	Reference	Part	Description	Part Order Code
53	1	T6	BC237	NPN TRANSISTOR	TRNBC237
54	1	T3	2N2222	NPN RF TRANSISTOR	TRN2N2222
55	1	T4	BFR91A	NPN RF TRANSISTOR	TRNBFR91A
56	1	T5	BF245B	FET TRANSISTOR	TRNBF245B
57	2	MOS1,MOS2	3N211	MOSFET 2 GATE	TRN3N211
58	1	IC7	LM3189	FM DEMODULATOR	CILLM3189
59	1	IC6	CA3028	IF DIFF. AMPLIFIER	CILCA3028



IF 10.7 MHz Card
"P.L.L. Section"

Bill of Materials/Lista Componenti

Pag. 1

Item	Quantity	Reference	Part	Description	Part Order Code
1	2	R29,R30	22	RESISTOR 1/4W 5%	RSC1/4JH0022
2	1	R21	150	RESISTOR 1/4W 5%	RSC1/4JH0150
3	1	R9	180	RESISTOR 1/4W 5%	RSC1/4JH0180
4	2	R8,R10	330	RESISTOR 1/4W 5%	RSC1/4JH0330
5	13	R1,R2,R3,R7, R11,R12,R18, R19,R22,R26, R28,R31,R32	1K	RESISTOR 1/4W 5%	RSC1/4JK0001
6	2	R13,R14	2K2	RESISTOR 1/4W 5%	RSC1/4JK02,2
7	2	R5,R6	4K7	RESISTOR 1/4W 5%	RSC1/4JK04,7
8	2	R17,R20	6K8	RESISTOR 1/4W 5%	RSC1/4JK06,8
9	1	R23	10K	RESISTOR 1/4W 5%	RSC1/4JK0010
10	1	R25	12K	RESISTOR 1/4W 5%	RSC1/4JK0012
11	1	R29	39K	RESISTOR 1/4W 5%	RSC1/4JK0039
12	1	R4	47K	RESISTOR 1/4W 5%	RSC1/4JK0047
13	3	R15,R16,R27	82K	RESISTOR 1/4W 5%	RSC1/4JK0082
14	2	CV1,CV2	TL40pF	TRIMMER CAPCITOR	CVC400DK600
15	3	C10,C11,C13	1nF	CERAMIC CAPACITOR	CKM102BK600P
16	1	C22	10nF	CERAMIC CAPACITOR	CKM103BK600P
17	1	C15	47nF	CERAMIC CAPACITOR	CKM473BK600P
18	2	C12,C21	0.1 μ F	CERAMIC CAPACITOR	CKM104BK600P
19	4	C18,C19,C23, C24	2.2 μ F	ELECTROLYTIC CAPACITOR	CEA225AM630
20	3	C14,C25,C26	10 μ F	ELECTROLYTIC CAPACITOR	CEA106AM350
21	2	C17,C20	22 μ F	ELECTROLYTIC CAPACITOR	CEA226BM350
22	1	C1	100 μ F	ELECTROLYTIC CAPACITOR	CEA107BM350
23	4	J1,J2,J3,J4	2P STRIP	STRIP M P 2.54 2 PIN	CNTSTRIPMCS
24	1	CN1	16P CONN.	CONN. M 2*8 P 2.54	CNTMCSFC16P
25	1	Q2	Q4MHz	CRYSTAL	QRZ4HC18
26	3	D1,D2,D3	1N4148	SILICON DIODE	DIS1N4148

IF 10.7 MHz Card
"P.L.L. Section"

Bill of Materials/Lista Componenti

Pag. 2

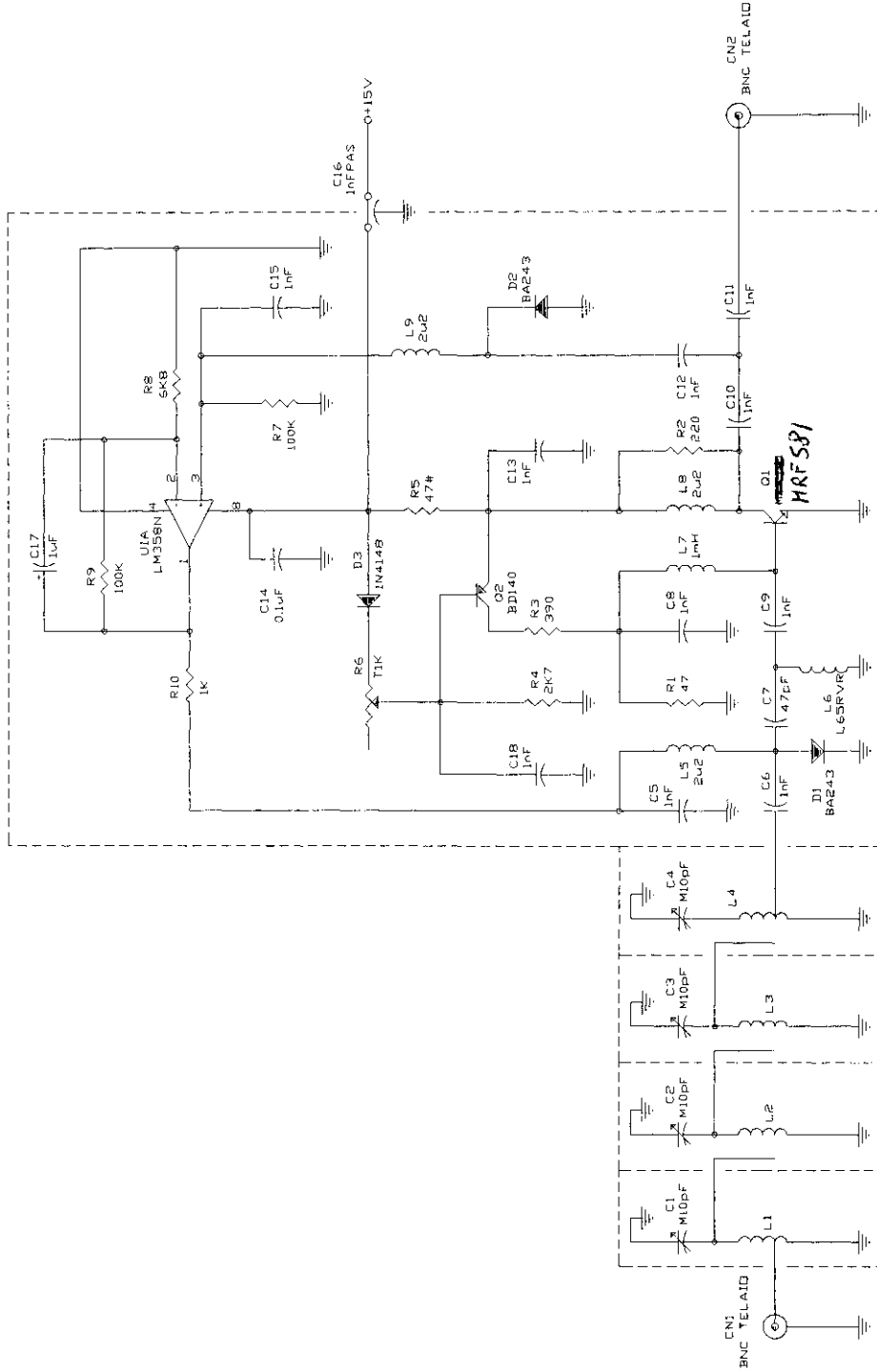
Item	Quantity	Reference	Part	Description	Part Order Code
27	1	DL1	LED-R3	RED LED DIODE 3mm	LEDRO03
28	6	OP1,OP2,OP3, OP4,OP5,OP6	4N27	PHOTOCOUPLER	LED4N27
29	2	T1,T2	BC237	NPN TRANSISTOR	TRNBC237
30	1	IC4	TL082	DOUBLE OP. AMP.	CILTLO82
31	1	IC2	MB501	DUAL MOD. PRESCALER	CIDMB501
32	1	IC3	MB87006	INTEGRATED DIVIDER PLL	CIDMB87006

FRONT END & BAND PASS FILTER

<u>1</u>	<u>Circuit Diagram</u>	<u>Pag</u>	<u>117</u>
<u>2</u>	<u>Bill of Meterial</u>	<u>Pag</u>	<u>118</u>
<u>3</u>	<u>Component Layout</u>	<u>Pag</u>	<u>119</u>

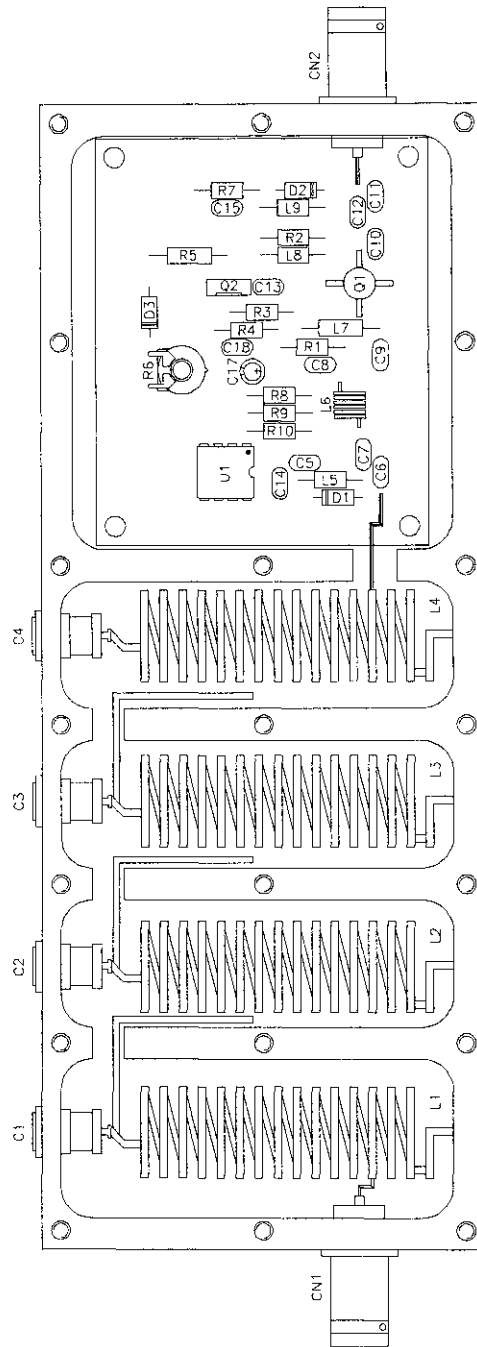
FRONT END & BAND PASS FILTER


<u>1</u>	<u>Schema Elettrico</u>	<u>Pag</u>	<u>117</u>
<u>2</u>	<u>Lista dei Componenti</u>	<u>Pag</u>	<u>118</u>
<u>3</u>	<u>Piano di Montaggio</u>	<u>Pag</u>	<u>119</u>



R.V.R. Electronica S.r.l. (80)	
Title	Front-End & Band Pass Filter Circuit Diagram
Size	Document Number
A3	REV
Date	December 28, 1994
Sheet	of

Item	Quantity	Reference	Part	DESCRIPTION	PART ORDER CDE
1	1	R1	47	RESISTOR 1/4W 5%	RSC1/4JH0047
2	1	R5	47#	RESISTOR 2W	RSC002JH0047
3	1	R2	220	RESISTOR 1/4W 5%	RSC1/4JH0220
4	1	R3	390	RESISTOR 1/4W 5%	RSC1/4JH0390
5	1	R10	1K	RESISTOR 1/4W 5%	RSC1/4JK0001
6	1	R4	2K7	RESISTOR 1/4W 5%	RSC1/4JK02,7
7	1	R8	6K8	RESISTOR 1/4W 5%	RSC1/4JK06,8
8	2	R7,R9	100K	RESISTOR 1/4W 5%	RSC1/4JK0100
9	1	R6	T1K	TRIMMER REG. VERT. 10mm	RVTD10VK0001
10	4	C1,C2,C3,C4	M1pF	PRECISION TRIMMER CAP.	CVA100BK101
11	1	C7	47pF	CERAMIC CAPACITOR NP0	CKM470BJ600C
12	10	C5,C6,C8, C9,C10,C11, C12,C13,C15, C18	1nF	CERAMIC CAPACITOR	CKM102BK600P
13	1	C16	1nFPAS	CERAMIC THROUGH CAPAC.	CDP102XK500
14	1	C14	0.1μF	CERAMIC CAPACITOR	CKM104BK600P
15	1	C17	1μF	ELECTROLYTIC CAPACITOR	CEA105AM630
16	3	L5,L8,L9	2μ2	RF CHOKE	IMP02U2A
17	1	L7	1mH	RF CHOKE	IMP01MOA
18	4	L1,L2,L3,L4	L1510RV1.5A	15SD10 RAME ARG. 1.5mm	BRA15001510
19	1	L6	L65RVR	6 SP DIA 5	
20	2	CN1,CN2	BNC TELAIO	CONN. BNC A TELAIO	CNTBNCFPV
21	1	D3	1N4148	SILICON DIODE	DIS1N4148
22	2	D1,D2	BA243	HOT CARRIER DIODE	DHCBA243
23	1	Q2	BD140	PNP TRANSISTOR	TRNBD140
24	1	Q1	⁵⁸¹ MRF 151	RF POWER TRANSISTOR	TRNMRF151
25	1	U1	LM358N	DOUBLE OP. AMP.	CILLM358N



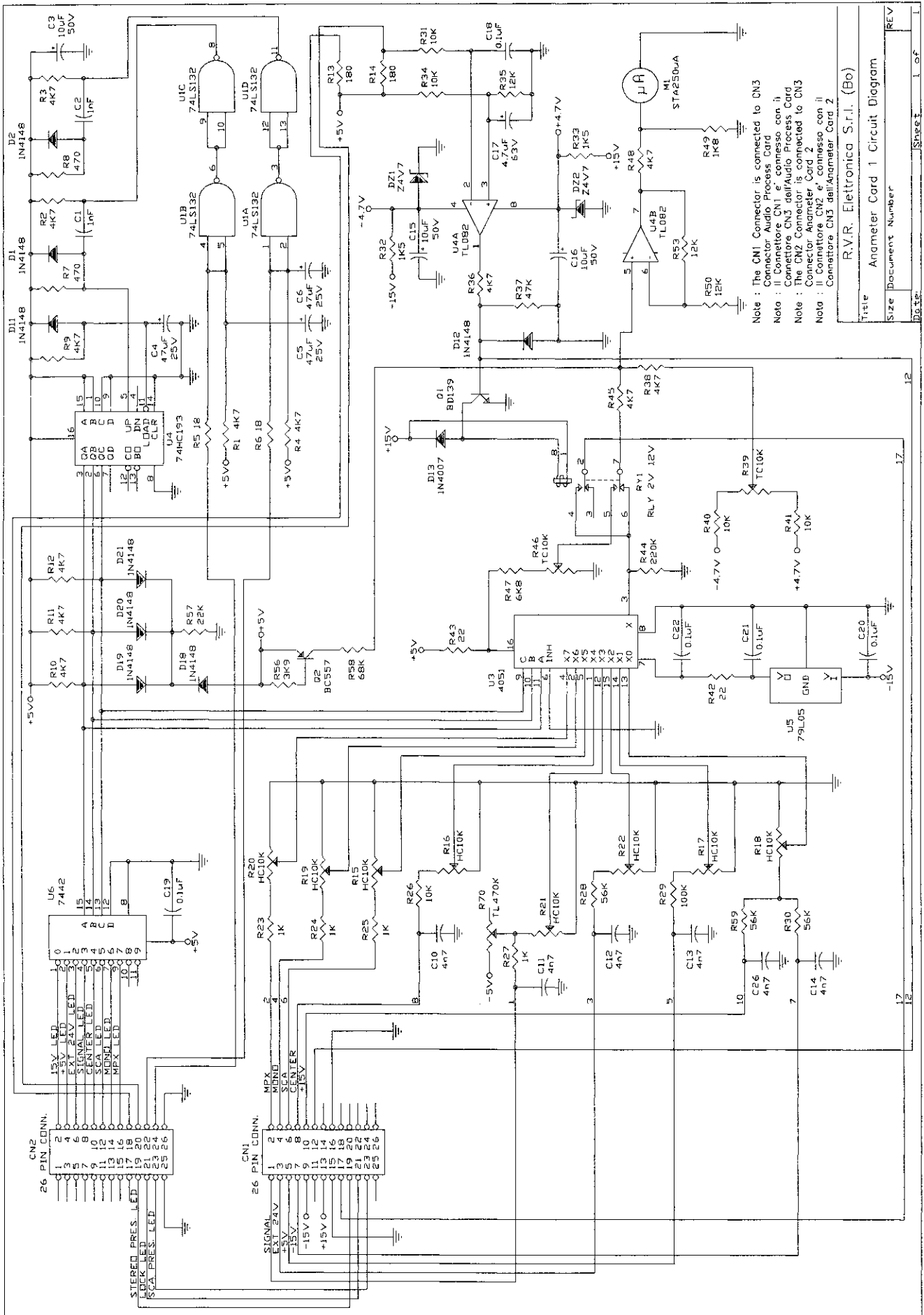
	DENOMINAZIONE	
	Front-End & Band Pass Filter Component Layout / Piano di Montaggio	
	DISPOSITIVO	
	RX1-NV (Synthesized Receiver)	
SEMILAVORATO	DISEGNATO	DISIGNO
MATERIALE	D'Alessio D. II	
TRATTAMENTO	SCALA	TAVOLA n di

ANAMETER CARD

<u>1</u>	<u>Anameter Card 1 Circuit Diagram</u>	<u>Pag 121</u>
<u>2</u>	<u>Anameter Card 1 Bill of Materials</u>	<u>Pag 122</u>
<u>3</u>	<u>Anameter Card 1 Component Layout</u>	<u>Pag 124</u>
<u>4</u>	<u>Anameter Card 2 Circuit Diagram</u>	<u>Pag 125</u>
<u>5</u>	<u>Anameter Card 2 Bill of Materials</u>	<u>Pag 126</u>
<u>6</u>	<u>Anameter Card 2 Component Layout</u>	<u>Pag 127</u>

ANAMETER CARD

<u>1</u>	<u>Schema Elettrico della Sceda Anameter 1</u>	<u>Pag 121</u>
<u>2</u>	<u>Lista dei Componenti della Sceda Anameter 1</u>	<u>Pag 122</u>
<u>3</u>	<u>Piano di Montaggio della Sceda Anameter 1</u>	<u>Pag 124</u>
<u>4</u>	<u>Schema Elettrico della Sceda Anameter 2</u>	<u>Pag 125</u>
<u>5</u>	<u>Lista dei Componenti della Sceda Anameter 2</u>	<u>Pag 126</u>
<u>6</u>	<u>Piano di Montaggio della Sceda Anameter 2</u>	<u>Pag 127</u>

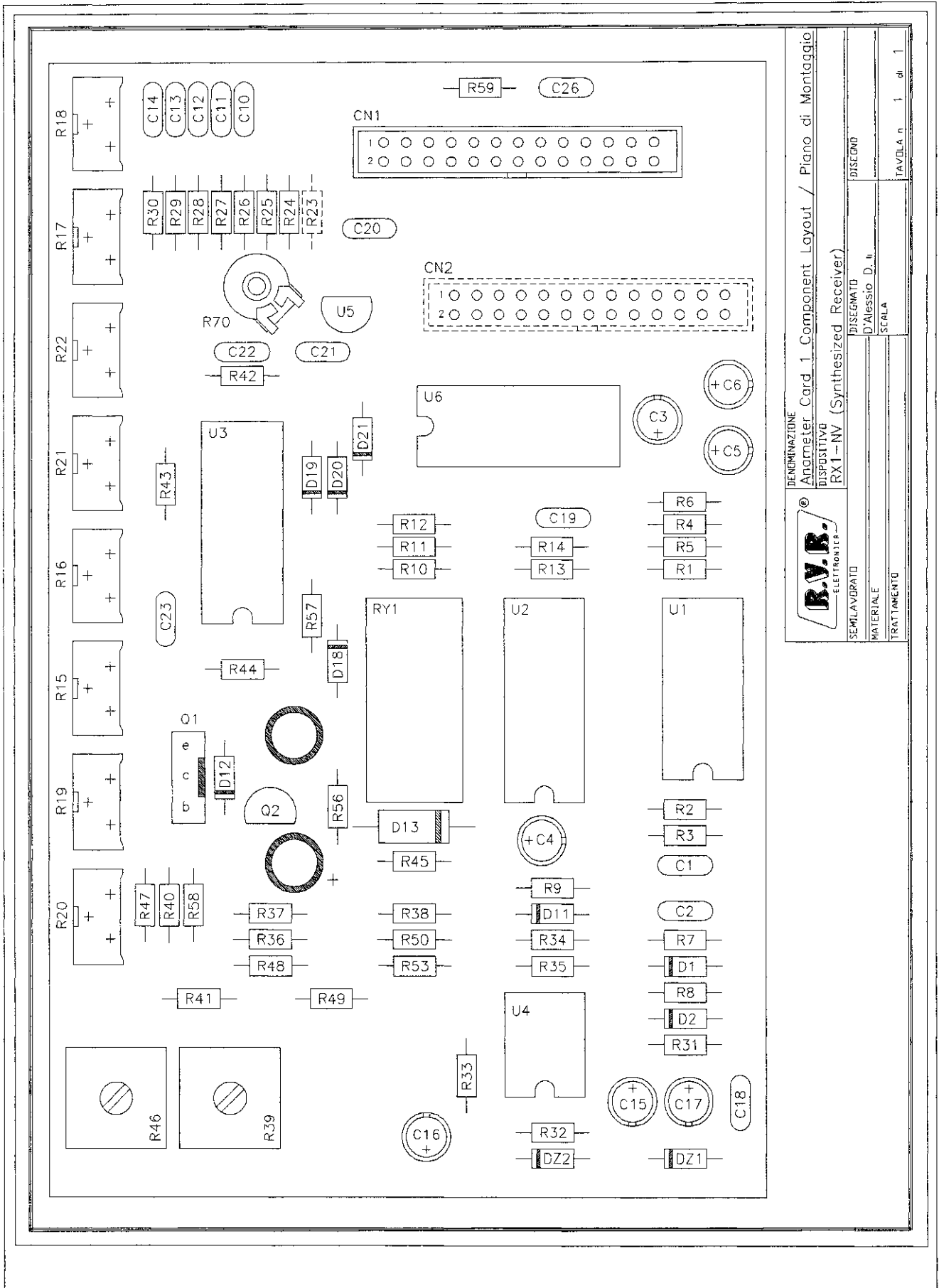


Note : The CN1 Connector is connected to CN3
 Connector Audio Process Card
 Nota : Il Connettore CN1 è connesso con il
 Connettore CN3 dell'Audio Process Card
 Note : The CN2 Connector is connected to CN3
 Connector Anameter Card 2
 Nota : Il Connettore CN2 è connesso con il
 Connettore CN3 dell'Anameter Card 2

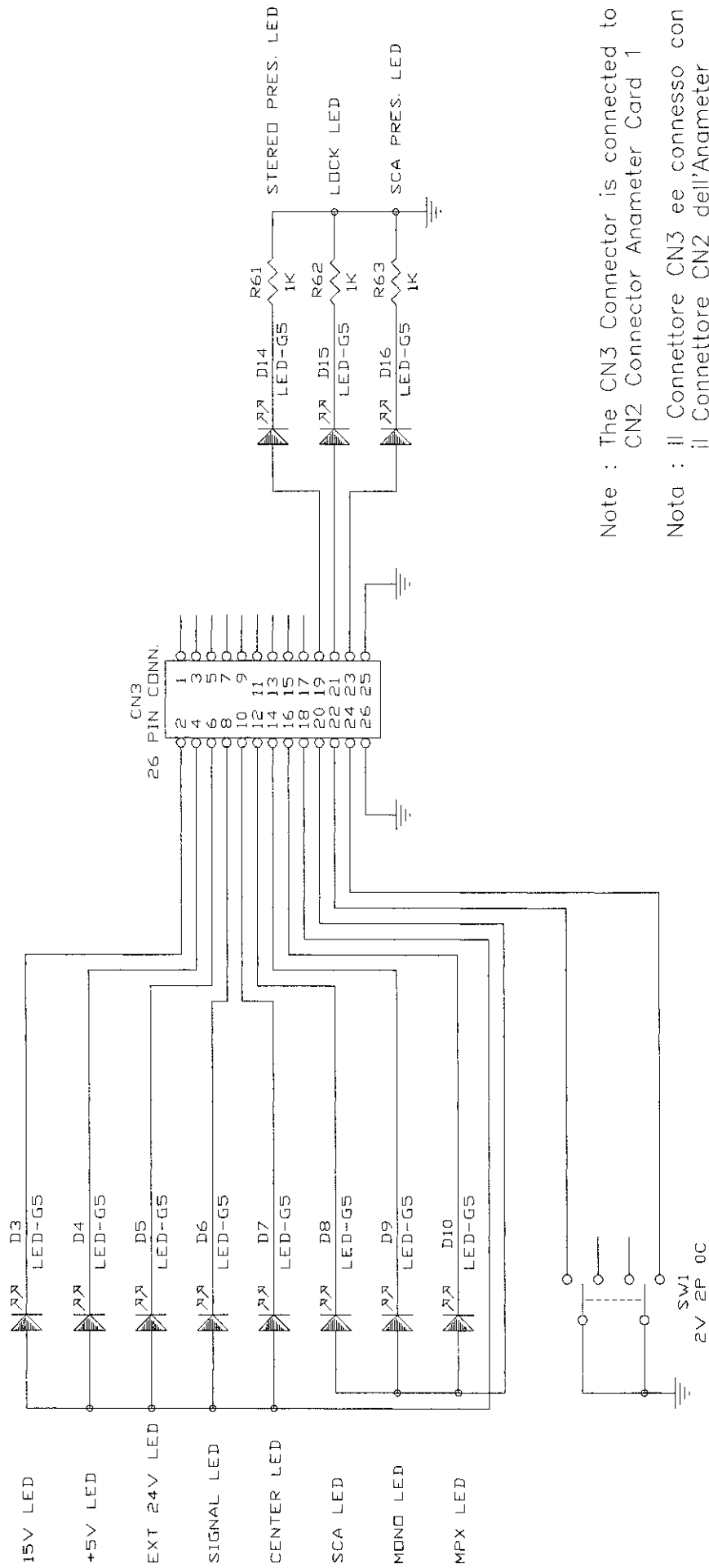
Title	R.V.R. Elettronica S.r.l. (Bo)
Size	Anameter Card 1 Circuit Diagram
Doc. No.	Document Number
Sheet	1 of 1
REV	

Anameter Card 1			Bill of Materials/Lista Componenti		Pag. 1
Item	Quantity	Reference	Part	Description	Part Order Code
1	2	R5,R6	18	RESISTOR 1/4W 5%	RSC1/4JH0018
2	2	R42,R43	22	RESISTOR 1/4W 5%	RSC1/4JH0022
3	2	R13,R14	180	RESISTOR 1/4W 5%	RSC1/4JH0180
4	2	R7,R8	470	RESISTOR 1/4W 5%	RSC1/4JH0470
5	4	R23,R24, R25,R27	1K	RESISTOR 1/4W 5%	RSC1/4JK0001
6	2	R32,R33	1K5	RESISTOR 1/4W 5%	RSC1/4JK01,5
7	1	R49	1K8	RESISTOR 1/4W 5%	RSC1/4JK01,8
8	1	R56	3K9	RESISTOR 1/4W 5%	RSC1/4JK03,9
9	12	R1,R2,R3, R4,R9,R10, R11,R12, R36,R38, R45,R48	4K7	RESISTOR 1/4W 5%	RSC1/4JK04,7
10	1	R47	6K8	RESISTOR 1/4W 5%	RSC1/4JK06,8
11	5	R26,R31, R34,R40,R41	10K	RESISTOR 1/4W 5%	RSC1/4JK0010
12	3	R35,R50,R53	12K	RESISTOR 1/4W 5%	RSC1/4JK0012
13	1	R57	22K	RESISTOR 1/4W 5%	RSC1/4JK0022
14	1	R37	47K	RESISTOR 1/4W 5%	RSC1/4JK0047
15	3	R28,R30,R59	56K	RESISTOR 1/4W 5%	RSC1/4JK0056
16	1	R58	68K	RESISTOR 1/4W 5%	RSC1/4JK0068
17	1	R29	100K	RESISTOR 1/4W 5%	RSC1/4JK0100
18	1	R44	220K	RESISTOR 1/4W 5%	RSC1/4JK0220
19	2	R39,R46	TC10K	TRIM. REG. VER. CERMET	RVTCERVK0010
20	1	R70	TL470K	TRIM. REG. VERT. 15mm	RVTD15VK0470
21	8	R16,R17, R18,R19, R20,R21, R22,R15	HC10K	TRIM. REG. ORIZ. CERMET	RVTCEROK0010
22	2	C1,C2	1nF	CERAMIC CAPACITOR	CKM102BK600P
23	6	C10,C11, C12,C13, C14,C26	4n7	CERAMIC CAPACITOR	CKM472BK600P

Anameter Card 1			Bill of Materials/Lista Componenti		Pag. 2
Item	Quantity	Reference	Part	Description	Part Order Code
24	5	C18,C19, C20,C21,C22	0.1 μ F	CERAMIC CAPACITOR	CKM104BK600P
25	1	C17	4.7 μ F	ELECTROLYTIC CAPACITOR	CEA475AM350
26	3	C3,C15,C16	10 μ F	ELECTROLYTIC CAPACITOR	CEA106AM350
27	3	C4,C5,C6	47 μ F	ELECTROLYTIC CAPACITOR	CEA476BM630
28	1	M1	STA250UA	STRUMENTO 250uA	SMABM55RQ251
29	2	CN1,CN2	26P CONN.	CONN. M 2*13 P 2.54	CNTMCSFC26P
30	1	RY1	RLY 2V 12V	RELAY 2 VIE 12V	RLDLFHA00212
31	8	D1,D2,D11, D12,D18, D19,D20, D21	1N4148	SILICON DIODE	DIS1N4148
32	1	D13	1N4007	SILICON DIODE 1000V	DIS1N4007
33	2	DZ1,DZ2	Z4V7	ZENER DIODE 4.7V 0.4W	DIZ4V70W4
34	1	U5	79L05	NEG. STABILIZER 100mA	CIL79L05
35	1	Q2	BC557	PNP TRANSISTOR	TRNBC557
36	1	Q1	BD139	NPN TRANSISTOR	TRNBD139
37	1	U4	TL082	DOUBLE OP. AMP.	CILTL082
38	1	U3	4051	ANALOG MULTIPLEXER	CID4051
39	1	U6	7442	TTL BCD DECODER	CID7442
40	1	U1	74LS132	TTL QUAD NAND TRIGGER	CID74LS132
41	1	U4	74HC193	CMOS BIN COUNTER	CID74HC193



DENOMINAZIONE
Anameter Card 1 Component Layout / Piano di Montaggio
 DISPOSITIVO
RX1-NV (Synthesized Receiver)
 DISSEGNO
 D'Alessio D. U.
 SEMILAVORATO
 MATERIALE
 TRATTAMENTO
 SCALA
 TAVOLA n. 1 di 1

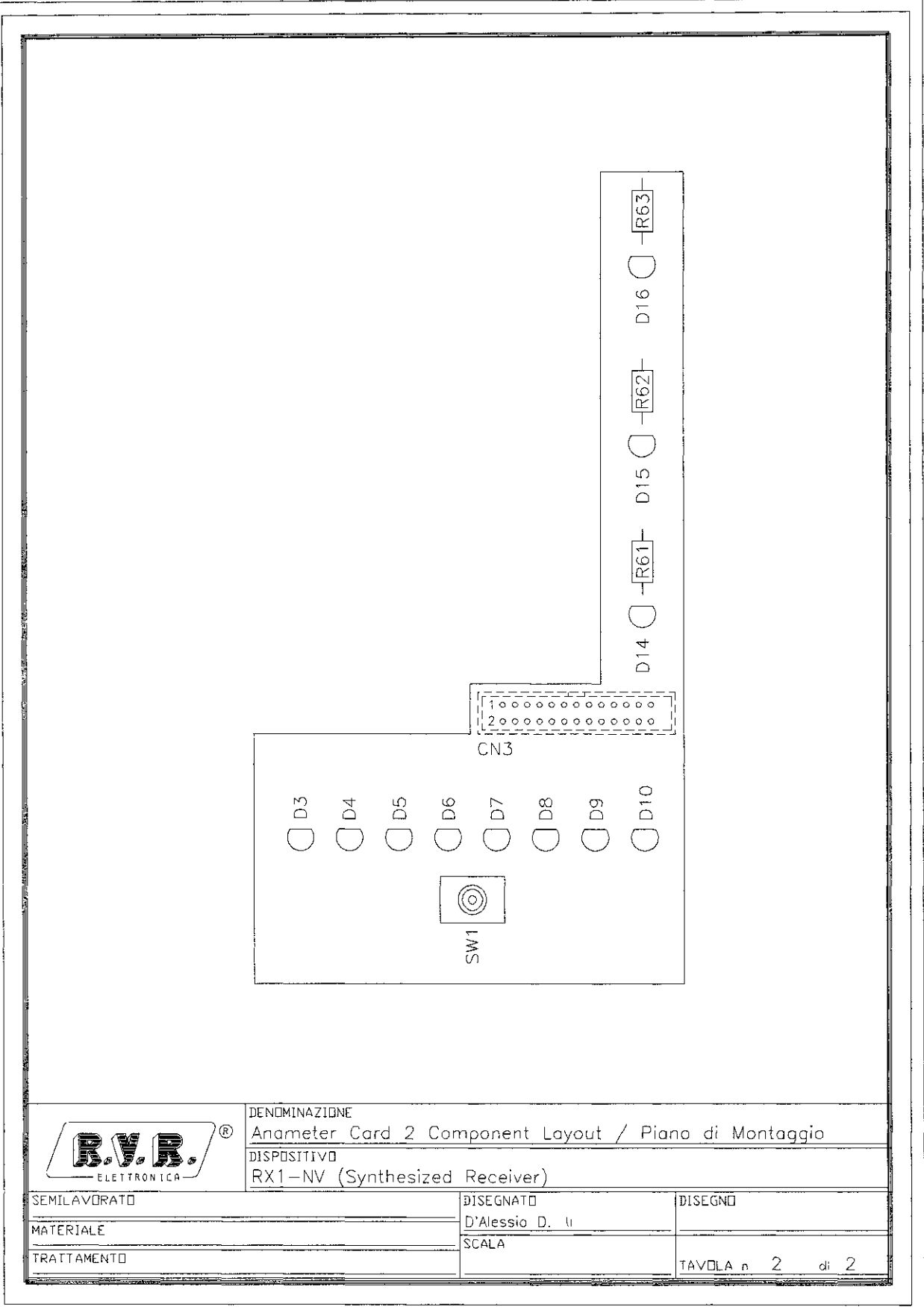



Note : The CN3 Connector is connected to CN2 Connector Anameter Card 1

Nota : Il Connettore CN3 è connesso con il Connettore CN2 dell'Anameter Card 1

Title		R.V.R. Elettronica S.r.l. (Bo)	
Size		A4	
Document Number		REV	
Date	Sheet	of	

Anameter Card 2		Bill of Materials/Lista Componenti			Pag. 1
Item	Quantity	Reference	Part	Description	Part Order Code
1	3	R61,R62,R63	1K	RESISTOR 1/4W 5%	RSC1/4JK0001
2	1	CN3	26P CONN.	CONN. M 2*13 P 2.54	CNTMCSFC26P
3	1	SW1	2V 2P 0C	DEVIATORE 2V 2P 0C	DEV2V1M01M03
4	11	D3,D4,D5, D6,D7,D8, D9,D10,D14, D15,D16	LED-G5	GREEN LED DIODE	LEDVE05



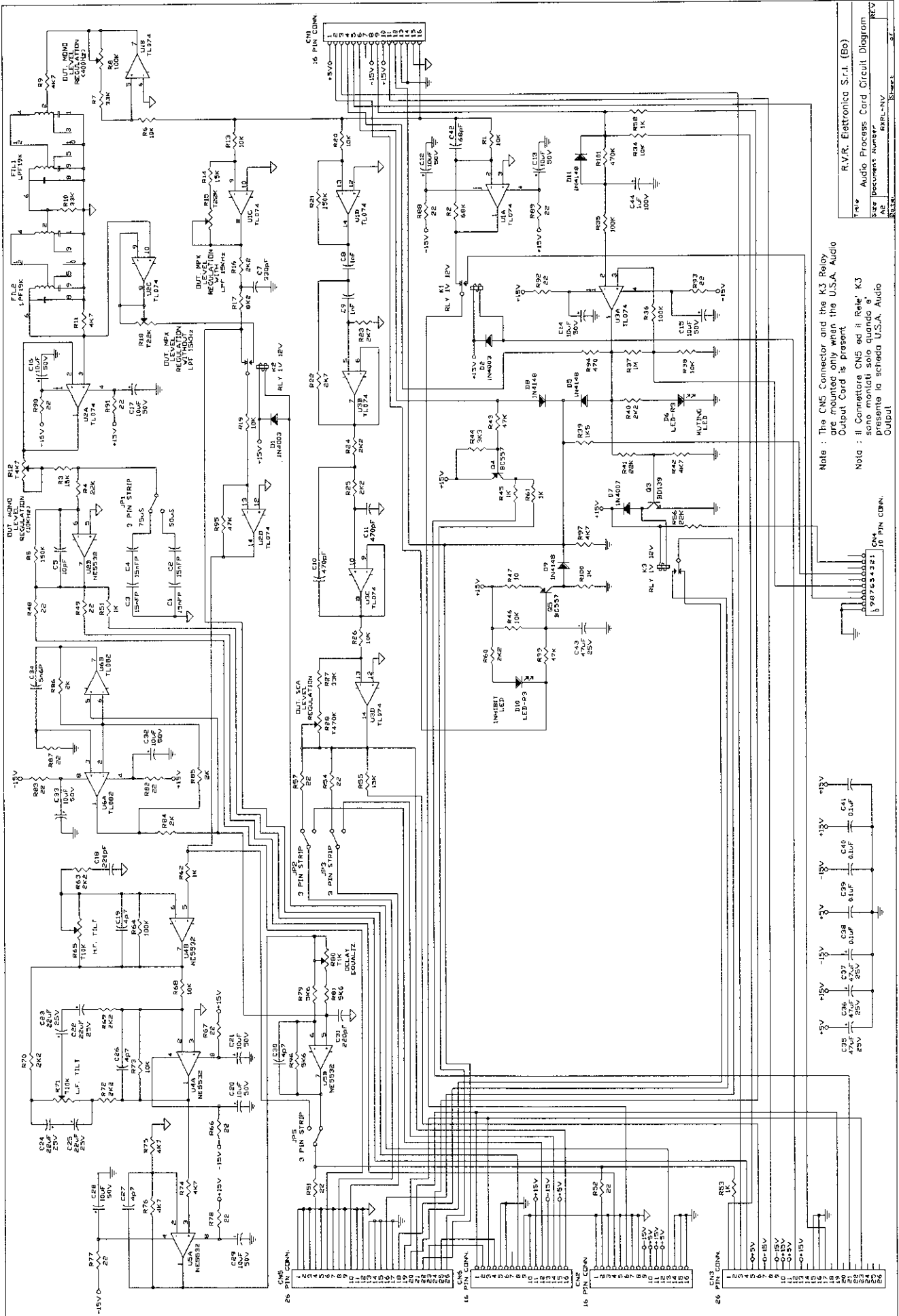
	DENOMINAZIONE	
	Anameter Card 2 Component Layout / Piano di Montaggio	
DISPOSITIVO		
RX1-NV (Synthesized Receiver)		
SEMILAVORATO	DISEGNATO	DISEGNO
MATERIALE	D'Alessio D. li	
TRATTAMENTO	SCALA	TAVOLA n 2 di 2

AUDIO PROCESS CARD

<u>1</u>	<u>Circuit Diagram</u>	<u>Pag 129</u>
<u>2</u>	<u>Bill of Materials</u>	<u>Pag 130</u>
<u>3</u>	<u>Component Layout</u>	<u>Pag 133</u>

AUDIO PROCESS CARD

<u>1</u>	<u>Schema Elettrico</u>	<u>Pag 129</u>
<u>2</u>	<u>Lista dei Componenti</u>	<u>Pag 130</u>
<u>3</u>	<u>Piano di Montaggio</u>	<u>Pag 133</u>



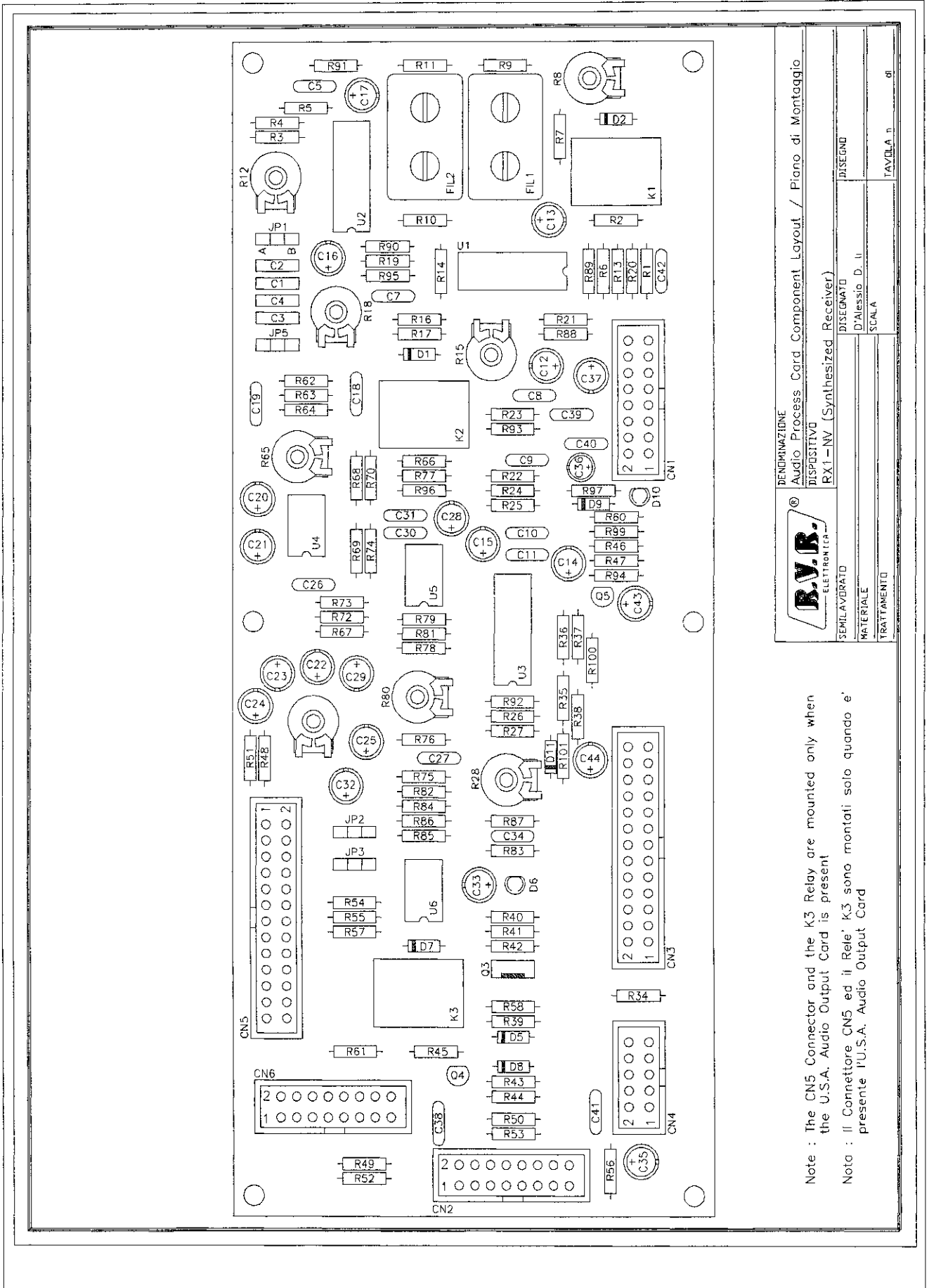
Note : The CNS Connector and the K3 Relay are mounted only when the U.S.A. Audio Output Card is present
 Nota : il Connettore CNS ed il 'Relè' K3 sono montati solo quando è presente la scheda U.S.A. Audio Output

R.V.R. Elettronica S.r.l. (Bo)
 Audio Process Card Circuit Diagram
 Document Number: RX1-NV
 Rev: 01

Audio Process Card		Bill of Materials/Lista Componenti		Pag. 1	
Item	Quantity	Reference	Part	Description	Part Order Code
1	1	R47	10	RESISTOR 1/4W 5%	RSC1/4JH0010
2	19	R48,R49, R51,R52,R54, R57,R66,R67, R77,R78,R82, R83,R87,R88, R89,R90,R91, R92,R93	22	RESISTOR 1/4W 5%	RSC1/4JH0022
3	1	R94	470	RESISTOR 1/4W 5%	RSC1/4JH0470
4	7	R45,R51, R53,R58, R61,R62, R100	1K	RESISTOR 1/4W 5%	RSC1/4JK0001
5	1	R39	1K5	RESISTOR 1/4W 5%	RSC1/4JK01,5
6	3	R84,R85,R86	2K	RESISTOR 1/4W 2%	RSC1/4GK0002
7	9	R16,R24, R25,R40, R60,R63, R69,R70, R72	2K2	RESISTOR 1/4W 5%	RSC1/4JK02,2
8	2	R22,R23	2K7	RESISTOR 1/4W 5%	RSC1/4JK02,7
9	1	R44	3K3	RESISTOR 1/4W 5%	RSC1/4JK03,3
10	7	R9,R11,R42, R74,R75,R76, R97	4K7	RESISTOR 1/4W 5%	RSC1/4JK04,7
11	3	R79,R81,R96	5K6	RESISTOR 1/4W 5%	RSC1/4JK05,6
12	1	R17	8K2	RESISTOR 1/4W 5%	RSC1/4JK08,2
13	11	R1,R6,R13, R19,R20,R26, R34,R38,R46, R68,R73	10K	RESISTOR 1/4W 5%	RSC1/4JK0010
14	3	R3,R14,R55	15K	RESISTOR 1/4W 5%	RSC1/4JK0015
15	3	R4,R41,R56	22K	RESISTOR 1/4W 5%	RSC1/4JK0022
16	3	R7,R10,R27	33K	RESISTOR 1/4W 5%	RSC1/4JK0033
17	3	R43,R95,R99	47K	RESISTOR 1/4W 5%	RSC1/4JK0047
18	1	R2	68K	RESISTOR 1/4W 5%	RSC1/4JK0068
19	4	R8,R35, R36,R64	100K	RESISTOR 1/4W 5%	RSC1/4JK0100

Audio Process Card			Bill of Materials/Lista Componenti		Pag. 2
Item	Quantity	Reference	Part	Description	Part Order Code
20	2	R5,R21	150K	RESISTOR 1/4W 5%	RSC1/4JK0150
21	1	R101	470K	RESISTOR 1/4W 5%	RSC1/4JK0470
22	1	R37	1M	RESISTOR 1/4W 5%	RSC1/4JM0001
23	1	R80	T1K	TRIM. REG. VERT. 10mm	RVTD10VK0001
24	1	R12	T4K7	TRIM. REG. VERT. 10mm	RVTD10VK04,7
25	2	R65,R71	T10K	TRIM. REG. VERT. 10mm	RVTD10VK0010
26	2	R15,R18	T22K	TRIM. REG. VERT. 10mm	RVTD10VK0022
27	1	R28	T470K	TRIM. REG. VERT. 10mm	RVTD10VK0470
28	4	C19,C26, C27,C30	4p7	CERAMIC CAPACITOR NPO	CKM4,7BJ600C
29	1	C5	10pF	CERAMIC CAPACITOR NPO	CKM100BJ600C
30	1	C42	68pF	CERAMIC CAPACITOR NPO	CKM680BJ600C
31	2	C18,C31	220pF	CERAMIC CAPACITOR NPO	CKM221BK600C
32	1	C7	330pF	CERAMIC CAPACITOR	CKM331BK600P
33	2	C10,C11	470pF	CERAMIC CAPACITOR	CKM471BK600P
34	2	C8,C9	1nF	CERAMIC CAPACITOR	CKM102BK600P
35	1	C34	5n6P	POLIESTER CAPACITOR	CPE562BJ101
36	4	C1,C2,C3,C4	15nFP	POLIESTER CAPACITOR	CPE153BJ101
37	4	C38,C39, C40,C41	0.1μF	CERAMIC CAPACITOR	CKM104BK600P
38	1	C44	1μF	ELECTROLYTIC CAPACITOR	CEA105AM630
39	12	C12,C13, C14,C15,C16, C17,C20,C21, C28,C29,C32, C33	10μF	ELECTROLYTIC CAPACITOR	CEA106AM350
40	4	C22,C23, C24,C25	22μF	ELECTROLYTIC CAPACITOR	CEA226BM350
41	4	C35,C36, C37,C43	47μF	ELECTROLYTIC CAPACITOR	CEA476BM630
42	2	FIL1,FIL2	LPF19K	LOW PASS FILTER 19KHZ	FLP19KHZ
43	4	JP1,JP2, JP3,JP5	3 PIN STRIP	STRIP M P 2.54 3 PIN	CNTSTRIPMCS

Audio Process Card		Bill of Materials/Lista Componenti			Pag. 3
Item	Quantity	Reference	Part	Description	Part Order Code
44	1	CN4	10P CONN.	CONN. M 2*5 P 2.54	CNTMCSFC10P
45	3	CN1,CN2,CN6	16P CONN.	CONN. M 2*8 P 2.54	CNTMCSFC16P
46	2	CN3,CN5	26P CONN.	CONN. M 2*13 P 2.54	CNTMCSFC26P
47	3	K1,K2,K3	RLY 1V 12V	RELAY 1 VIA 12V	RLD112
48	4	D5,D8,D9, D11	1N4148	SILICON DIODE	DIS1N4148
49	2	D1,D2	1N4003	SILICON DIODE 200V	DIS1N4003
50	1	D7	1N4007	SILICON DIODE 1000V	DIS1N4007
51	2	D6,D10	LED-R3	RED LED DIODE 3mm	LEDRO03
52	2	Q4,Q5	BC557	PNP TRANSISTOR	TRNBC557
53	1	Q3	BD139	NPN TRANSISTOR	TRNBD139
54	1	U6	TL082	DOUBLE OP. AMP.	CILTL082
55	2	U4,U5	NE5532	DOUBLE OP. AMP.	CILNE5532
56	3	U1,U2,U3	TL074	QUAD OP. AMP.	CILTL074



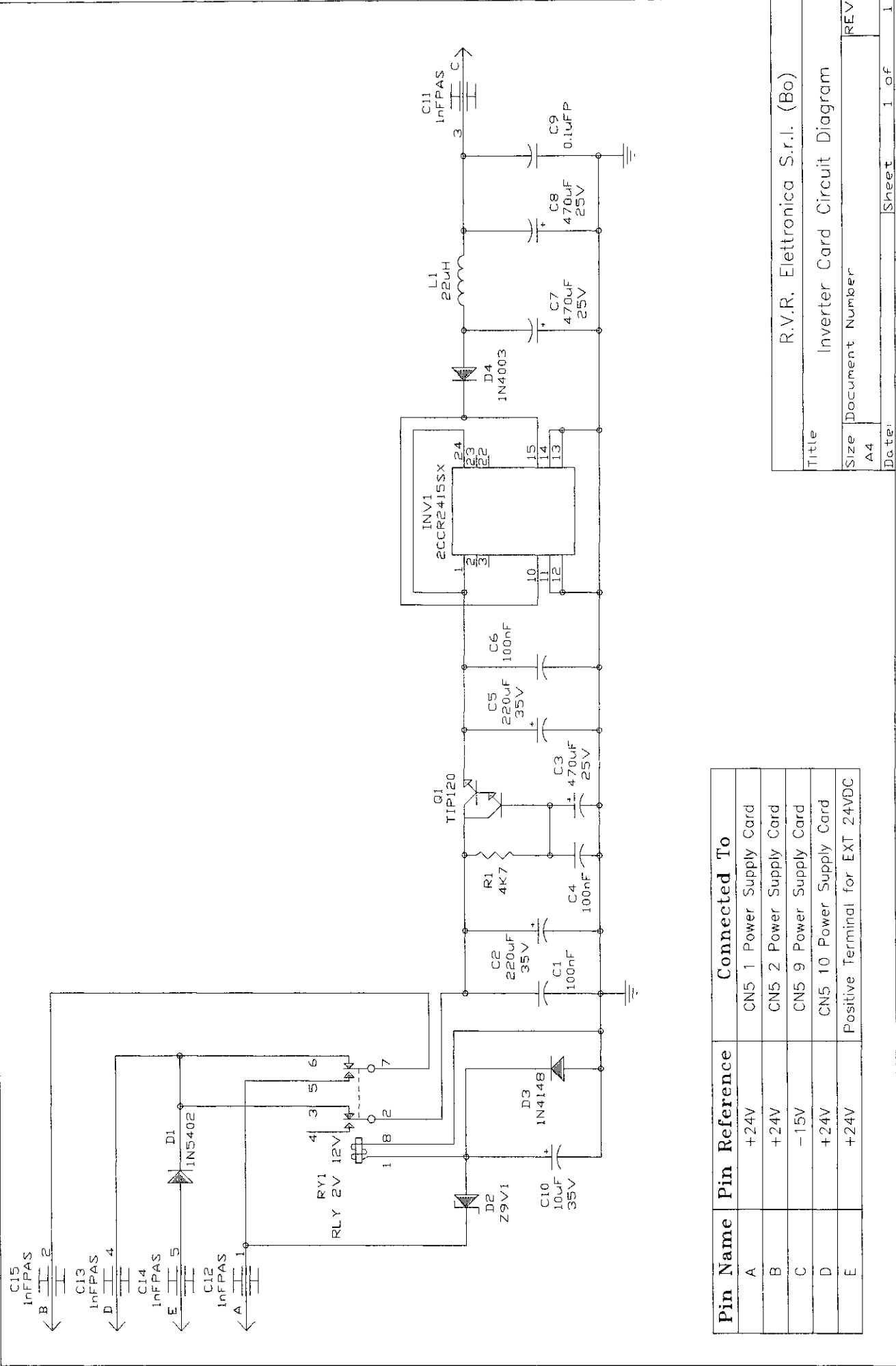
DENOMINAZIONE
 Audio Process Card Component Layout / Piano di Montaggio
 DISPOSITIVO
 RX1-NV (Synthesized Receiver)

DISEGNATO
 D'Alessio D. II

TRATTAMENTO
 S.C.A.

TAVOLA 1
 di

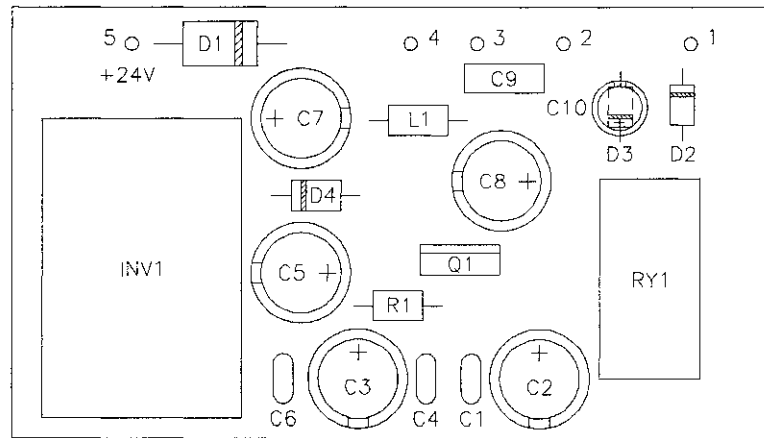
Note : The CN5 Connector and the K3 Relay are mounted only when the U.S.A. Audio Output Card is present
 Nota : Il Connettore CN5 ed il Rele' K3 sono montati solo quando e' presente l'U.S.A. Audio Output Card




Title		R.V.R. Elettronica S.r.l. (Bo)
Size	Document Number	Inverter Card Circuit Diagram
A4		
Date:	Sheet	1 of 1

Pin Name	Pin Reference	Connected To
A	+24V	CN5 1 Power Supply Card
B	+24V	CN5 2 Power Supply Card
C	-15V	CN5 9 Power Supply Card
D	+24V	CN5 10 Power Supply Card
E	+24V	Positive Terminal for EXT 24VDC

Inverter Card			Bill of Materials/Lista Componenti		Pag. 1
Item	Quantity	Reference	Part	Description	Part Order Code
1	1	R1	4K7	RESISTOR 1/4W 5%	RSC1/4JK04,7
2	5	C11,C12, C13,C14,C15	1nFPAS	CERAMIC THROUGH CAP.	CDP102XK500
3	3	C1,C4,C6	100nF	CERAMIC CAPACITOR	CKM104BK600P
4	1	C9	0.1 μ F	POLIESTER CAPACITOR	CPE104DK101
5	1	C10	10 μ F	ELECTROLYTIC CAPACITOR	CEA106AM350
6	2	C2,C5	220 μ F	ELECTROLYTIC CAPACITOR	CEA227BM350
7	3	C3,C7,C8	470 μ F	ELECTROLYTIC CAPACITOR	CEA477BM350
8	1	L1	22 μ H	RF CHOKE	IMP22U0A
9	1	RY1	RLY 2V 12V	RELAY 2 VIE 12V	RLDLFHA00212
10	1	D3	1N4148	SILICON DIODE	DIS1N4148
11	1	D4	1N4003	SILICON DIODE 200V	DIS1N4003
12	1	D1	1N5402	SILICON DIODE 200V 3A	DIS1N5402
13	1	D2	Z9V1	ZENER DIODE 9.1V 0.4W	DIZ9V10W4
14	1	INV1	2CCR2415SX	DC/DC CONV. 24VI 15VO	2CCR2415SX
15	1	Q1	TIP120	NPN DARLINGTON	TRNTIP120



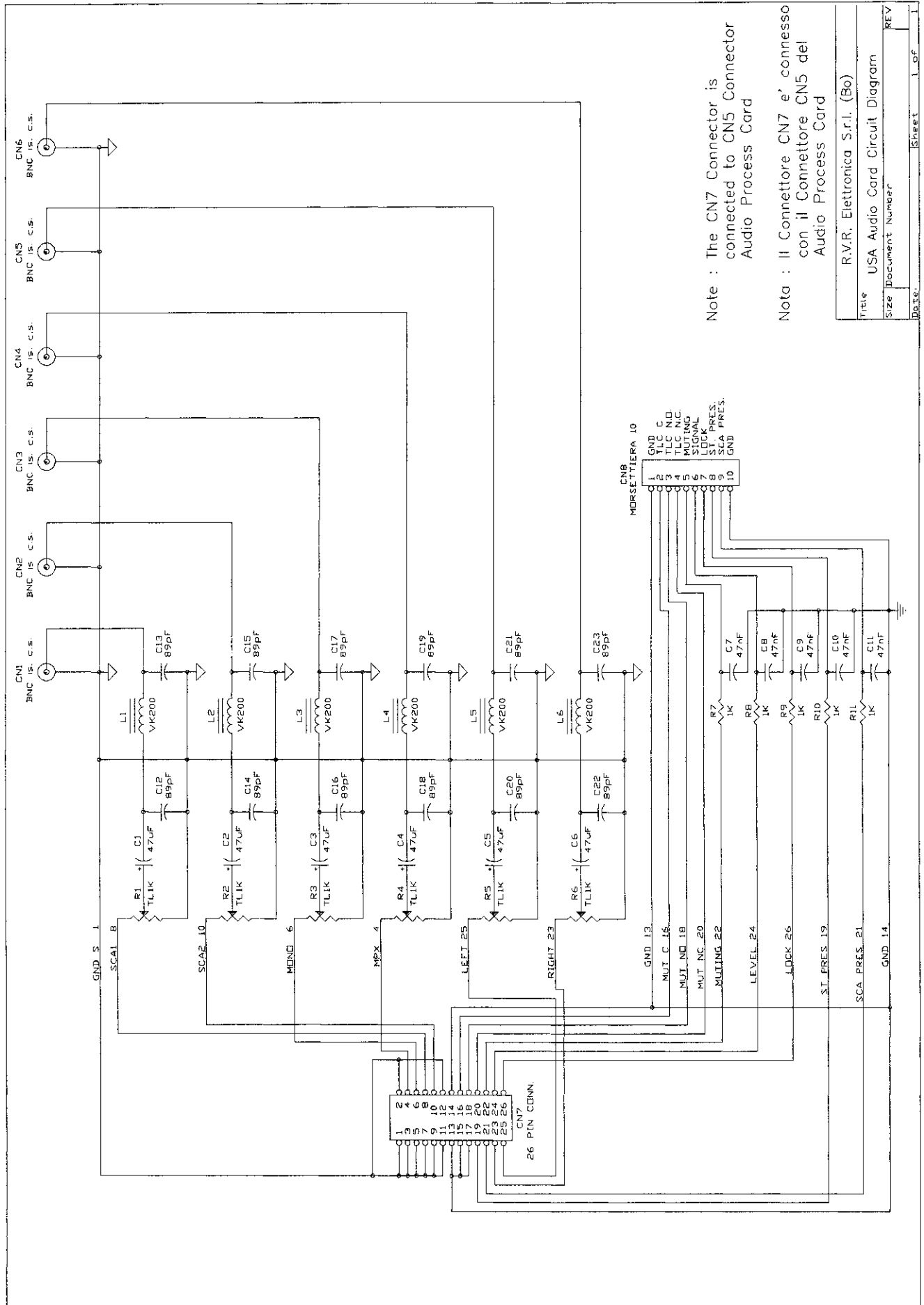
	DENOMINAZIONE	
	Invert 24VDC/-15VDC Component Layout / Piano di Montaggio	
	DISPOSITIVO	
	RX1-NV (Synthesized Receiver)	
SEMILAVORATO	DISEGNATO	DISEGNO
MATERIALE	D'Alessio D. II	
TRATTAMENTO	SCALA	TAVOLA n 1 di 1

USA AUDIO OUTPUT CARD (OPTIONAL)

<u>1</u>	<u>Circuit Diagram</u>	<u>Pag 139</u>
<u>2</u>	<u>Bill of Materials</u>	<u>Pag 140</u>
<u>3</u>	<u>Component Layout</u>	<u>Pag 141</u>

USA AUDIO OUTPUT CARD (OPTIONAL)

<u>1</u>	<u>Schema Elettrico</u>	<u>Pag 139</u>
<u>2</u>	<u>Lista dei Componenti</u>	<u>Pag 140</u>
<u>3</u>	<u>Piano di Montaggio</u>	<u>Pag 141</u>

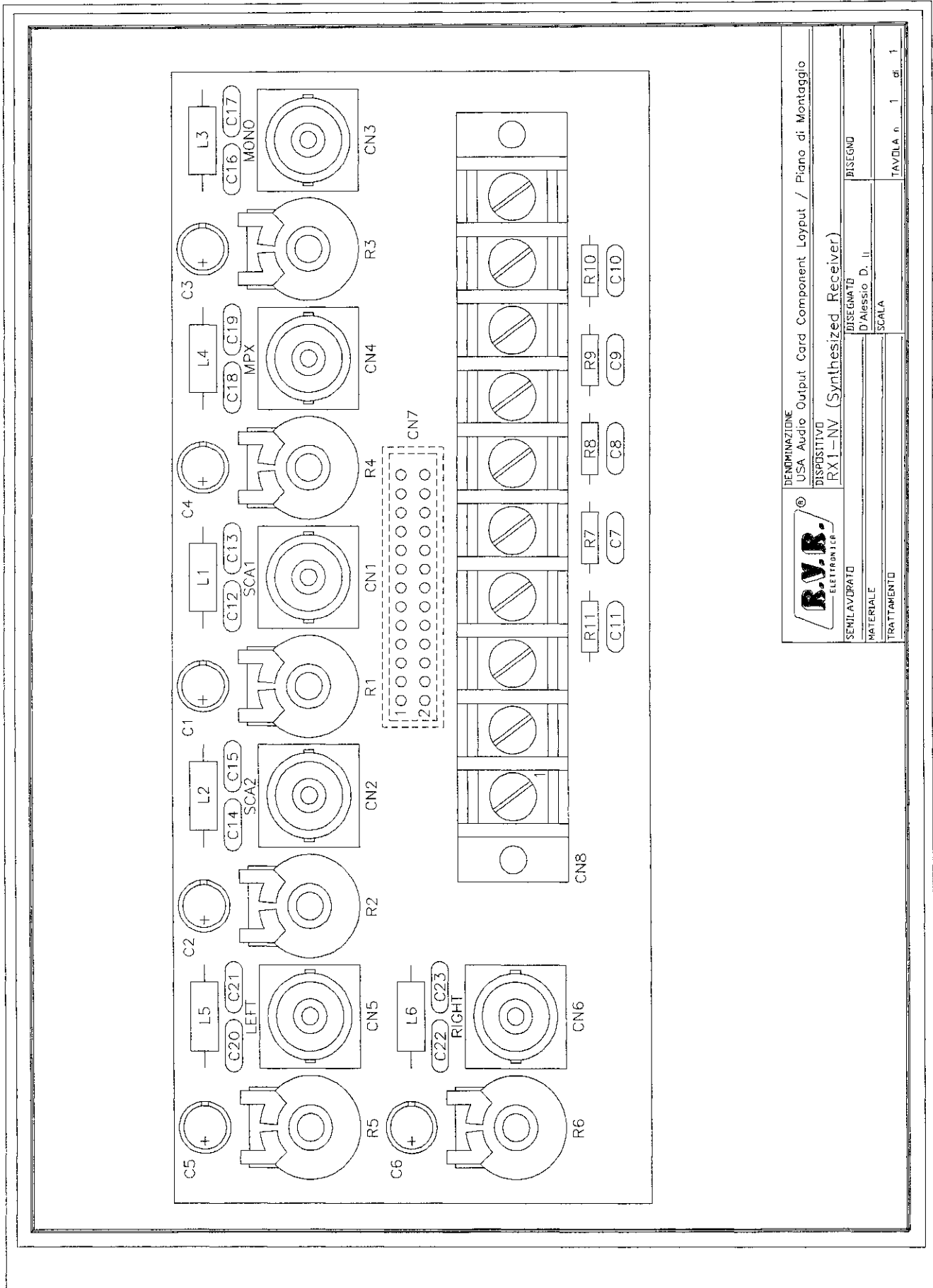



Note : The CN7 Connector is connected to CN5 Connector Audio Process Card

Nota : Il Connettore CN7 e' connesso con il Connettore CN5 del Audio Process Card

Title	R.V.R. Elettronica S.r.l. (Bo)
Size	USA Audio Card Circuit Diagram
Document Number	
REV	

USA Audio Ouput Card		Bill of Materials/Lista Componenti			Pag. 1
Item	Quantity	Reference	Part	Description	Part Order Code
1	5	R7,R8,R9, R10,R11	1K	RESISTOR 1/4W 5%	RSC1/4JK0001
2	6	R1,R2,R3, R4,R5,R6	TL1K	TRIMMER REG. VERT. 15mm	RVTD15VK0001
3	12	C12,C13, C14,C15, C16,C17, C18,C19, C20,C21, C22,C23	89pF	CERAMIC CAPACITOR NPO	CSM890BJ600C
4	5	C7,C8,C9, C10,C11	47nF	CERAMIC CAPACITOR	CKM473BK600P
5	6	C1,C2,C3, C4,C5,C6	47 μ F	ELECTROLYTIC CAPACITOR	CEA476BM630
6	6	L1,L2,L3, L4,L5,L6	VK200	RF CHOKE	IMPVK200
7	1	CN8	MORS. 10	MORS. TELAIO 10 CONT.	MORSP10P
8	1	CN7	26 P CONN.	CONN. M 2*13 P 2.54	CNTMCSFC26P
9	6	CN1,CN2,	BNC IS. CS	CONN. BNC A STAMP. IS.	CNTBNCFCISIS



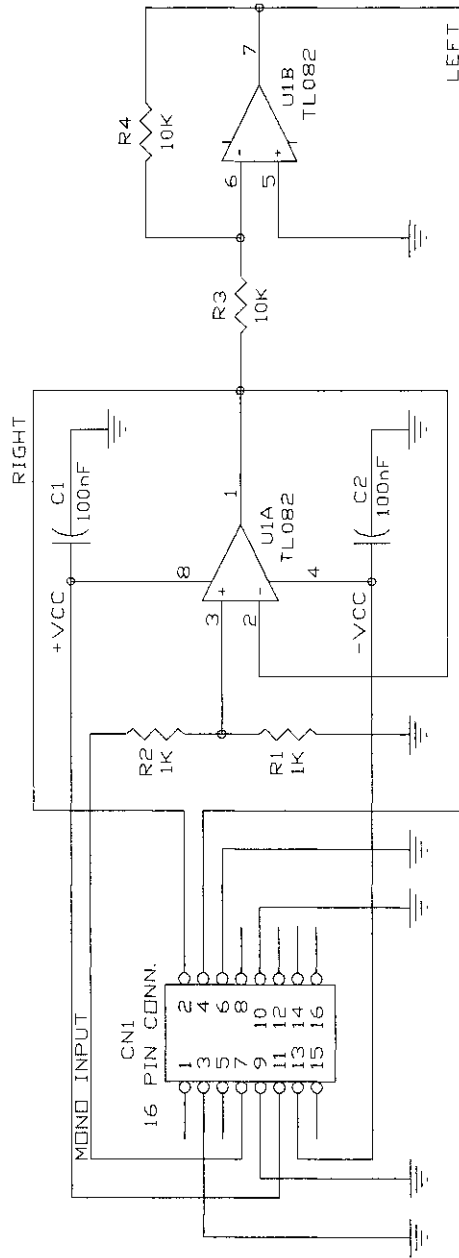
		DENOMINAZIONE USA Audio Output Card Component Layout / Piano di Montaggio	
SEMILAVORATO		DISPOSITIVO RX1 - NV (Synthesized Receiver)	
MATERIALE		DISEGNATO D'Alessio D. II	
TRATTAMENTO		SCALA	
		TAVOLA n. 1 di 1	

MONO-BALANCED CARD (OPTIONAL)

<u>1</u>	<u>Circuit Diagram</u>	<u>Pag 143</u>
<u>2</u>	<u>Bill of Materials</u>	<u>Pag 144</u>
<u>3</u>	<u>Component Layout</u>	<u>Pag 145</u>

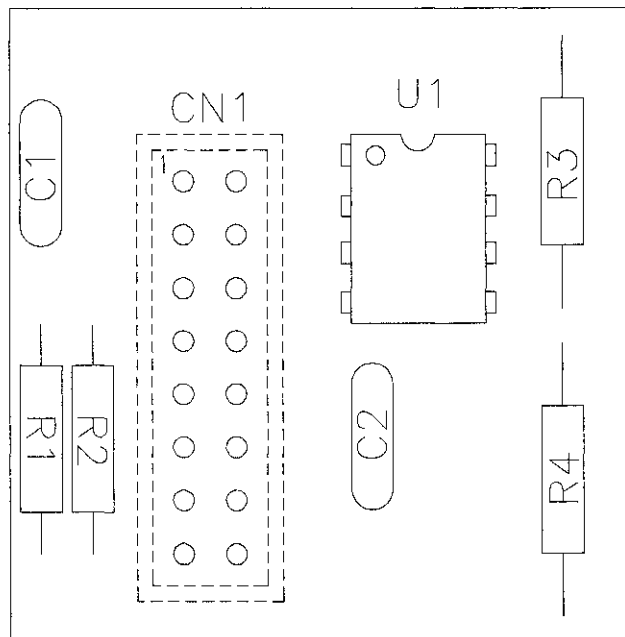
MONO-BALANCED CARD (OPTIONAL)


<u>1</u>	<u>Schema Elettrico</u>	<u>Pag 143</u>
<u>2</u>	<u>Lista dei Componenti</u>	<u>Pag 144</u>
<u>3</u>	<u>Piano di Montaggio</u>	<u>Pag 145</u>



Title		R.V.R. Elettronica S.r.l. (Bo)	
Size		A4	
Document Number		REV	
Date:	Sheet	1	of 1

Mono-Balanced Card			Bill of Materials/Lista Componenti		Pag. 1
Item	Quantity	Reference	Part	Description	Part Order Code
1	2	R1,R2	1K	RESISTOR 1/4W 5%	RSC1/4JK0001
2	2	R3,R4	10K	RESISTOR 1/4W 5%	RSC1/4JK0010
3	2	C1,C2	100nF	CERAMIC CAPACITOR	CKM104BK600P
4	1	CN1	16P CONN.	CONN. M 2*8 P 2.54	CNTMCSFC16P
5	1	U1	TL082	DOUBLE OP. AMP.	



	DENOMINAZIONE	
	Mono-Balanced Component Layout / Piano di Montaggio	
	DISPOSITIVO	
	RX1-NV (Synthesized Receiver)	
SEMILAVORATO	DISEGNATO	DISEGNO
MATERIALE	D'Alessio D. It	
TRATTAMENTO	SCALA	TAVOLA n 1 di 1

© Copyright 1993
First Edition - September '93
Created By D'Alessio D. & Morotti M.

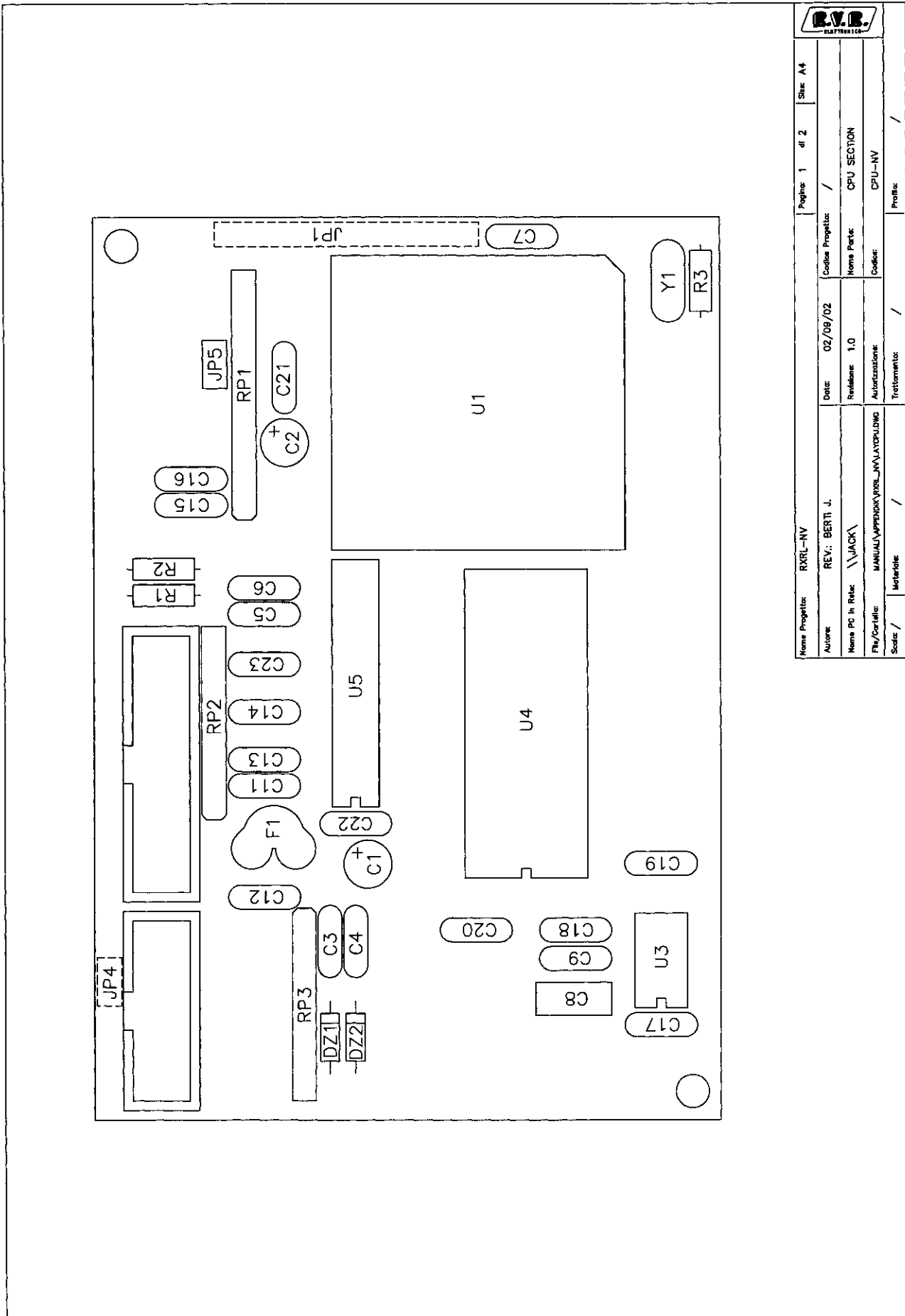
R.V.R. Elettronica S.r.l. (Bo)
Via del Fonditore 2/2c - 40138 - Bologna (Italy)

Printed and bound in Italy. All rights reserved. No part of this manual may be reproduced or utilized in any form or by any means, electronic or mechanical, including photocopying, recording, or by any information storage and retrieval system, without permission in writing from the publisher.

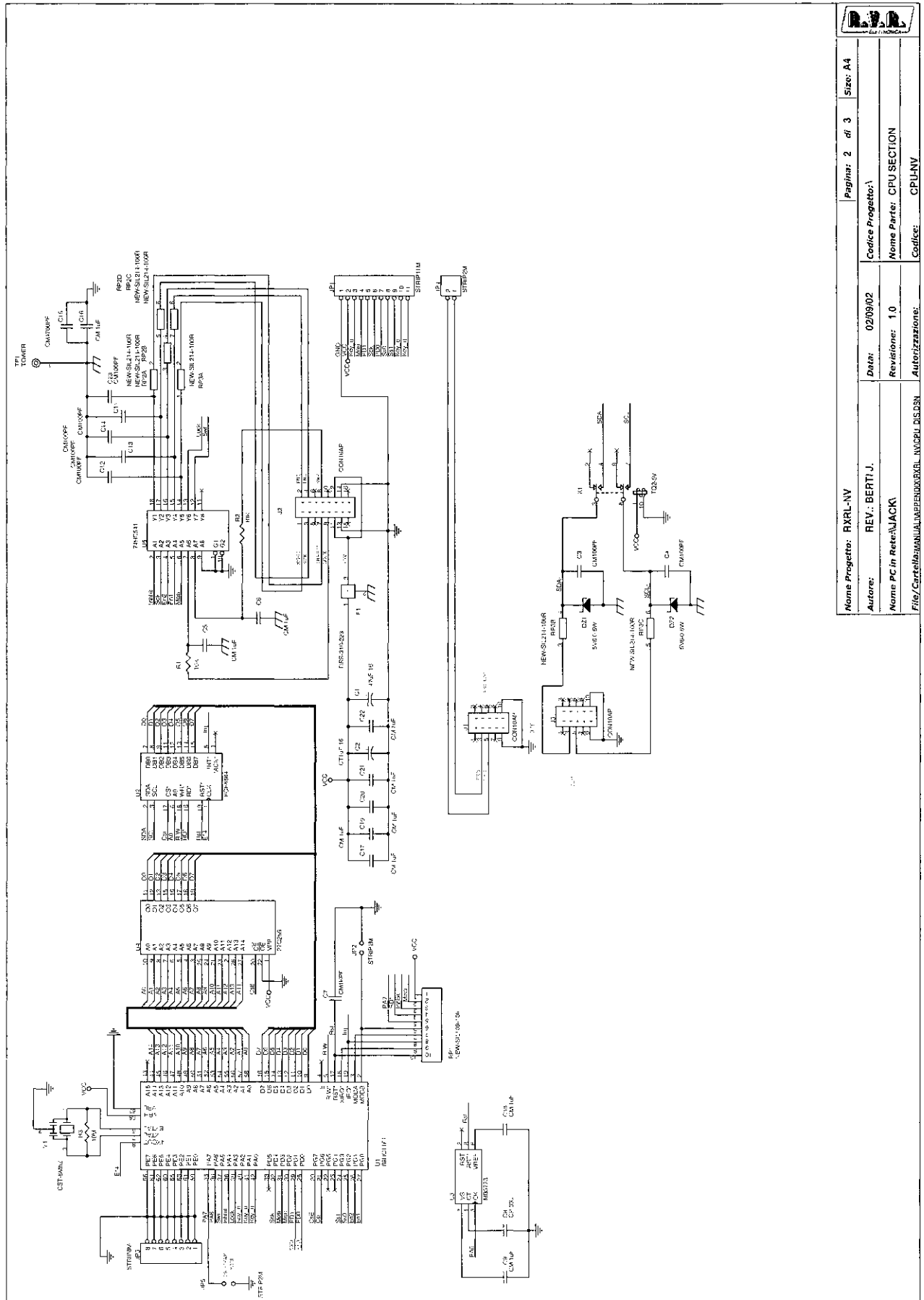
APPENDIX

Description	RVR Code	Vers.	Page
C.P.U. section	CPU-NV	0.1	10
IF 70 MHz	SLIF70MHZ	0.1	8

Figura lasciata intenzionalmente in bianco

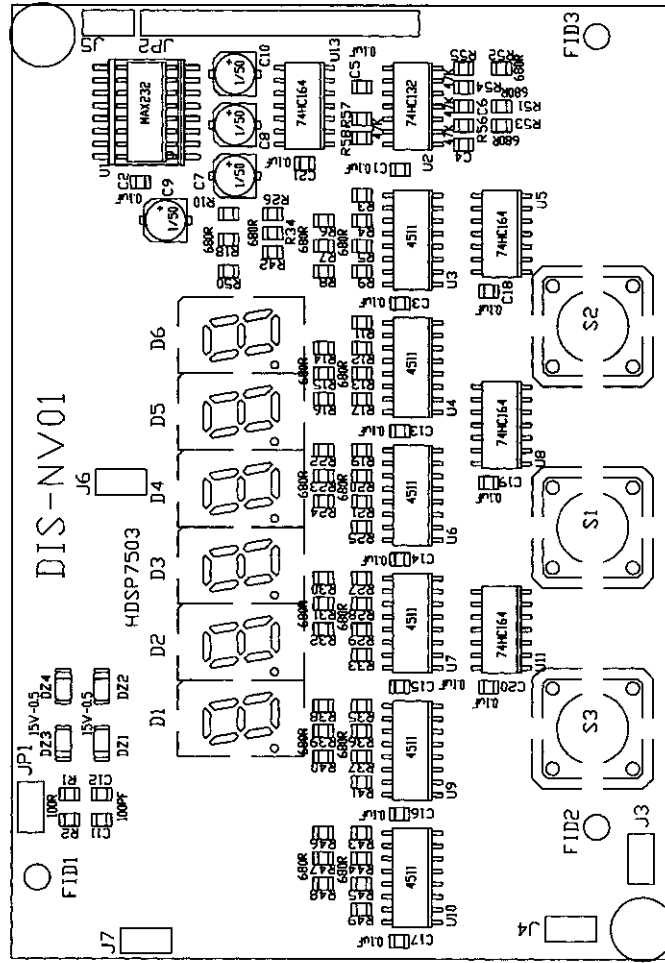


		Pagina: 1	di 2	Stato: A4	
Nome Progetto:	RX1-NV	Data:	02/09/02	Codice Progetto:	/
Autore:	REV.: BERTI, J.	Revisione:	1.0	Nome Parte:	CPU SECTION
Nome PC In Rete:	\\JACK	Autorizzazione:	/	Codice:	CPU-NV
File/Cartelle:	MANUALI\APPENDIX\YORK_JAVLA\YORK.DWG	Titolamento:	/	Profilo:	/
Scala:	/	Materiale:	/		

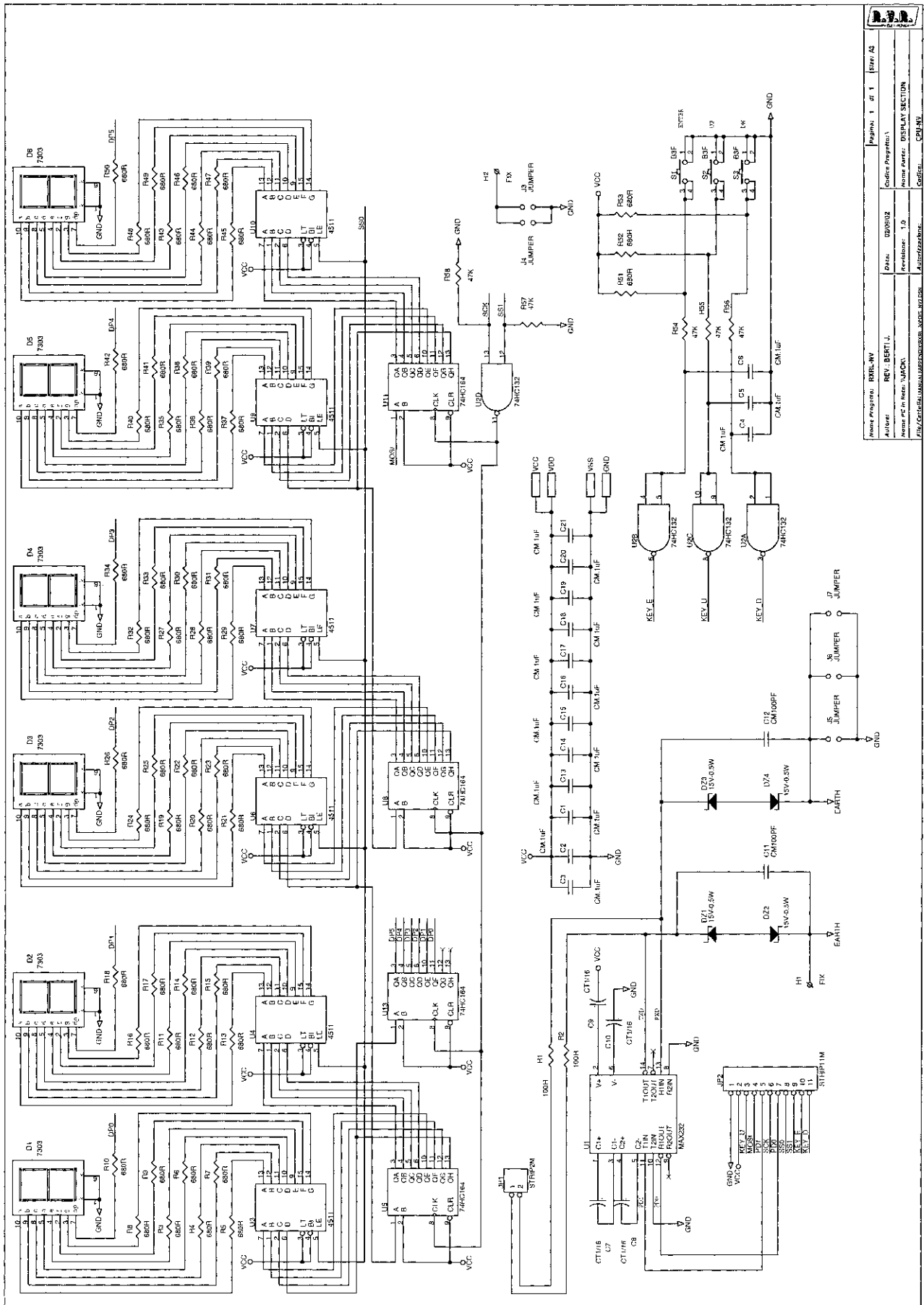


Nome Progetto: RX1-NV	Page: 2 di 3	Size: A4
Autore: REV: BERT J.	Date: 02/09/02	Code Progetto: 1
Nome PC in Rete: JACK	Revisione: 1.0	Nome Parte: CPU SECTION
File/Cartella/Manuale/Prodotto/Modello: AVUCPL DIS.DSN	Autorizzazioni:	Codice: CPU NV

Item	Quantity	Reference	Part
1	1	C1	47UF/16
2	1	C2	CT1UF/16
3	7	C3, C4, C11, C12, C13, C14, C23	CM100PF
4	10	C5, C6, C9, C16, C17, C18, C19, C20, C21, C22	CM.1UF
5	1	C7	CM1KPF
6	1	C8	CP.33UF
7	1	C15	CM4700PF
8	2	DZ1, DZ2	5V6-0.5W
9	1	F1	DSS-310-223
10	1	JP1	STRIP11M
11	3	JP2, JP4, JP5	STRIP2M
12	1	JP3	STRIP8M
13	2	J1, J3	CON10AP
14	1	J2	CON16AP
15	1	K1	TQ2-5V
16	1	RP1	NEW-SIL109-10K
17	2	RP2, RP3	NEW-SIL214-100R
18	2	R1, R2	10K
19	1	R3	10M
20	1	TP1	TOWER
21	1	U1	68HC11F1
22	1	U2	PCF8584
23	1	U3	MB3773
24	1	U4	27C256
25	1	U5	74HC541
26	1	Y1	CST-8MHZ



Nome Progetto: RXRL NV		Pagina: 1 di 1		Size: A4	
Autore: REV. BERTI J.	Data: 12/09/02		Codice Progetto: /		
Nome PC in Rete: \JACK\	Revisione: 1.0		Nome Parte: DISPLAY CPU VERSIONE 2		
File/Contatto: MAA\APPENDIX\RXRL\NV\DISE_ML.DWG	Autore/Revisione:		Codice: DIS-NV01		
Scala: 1:1	Materiale: /		Trattamento: /		
				Profilo: /	

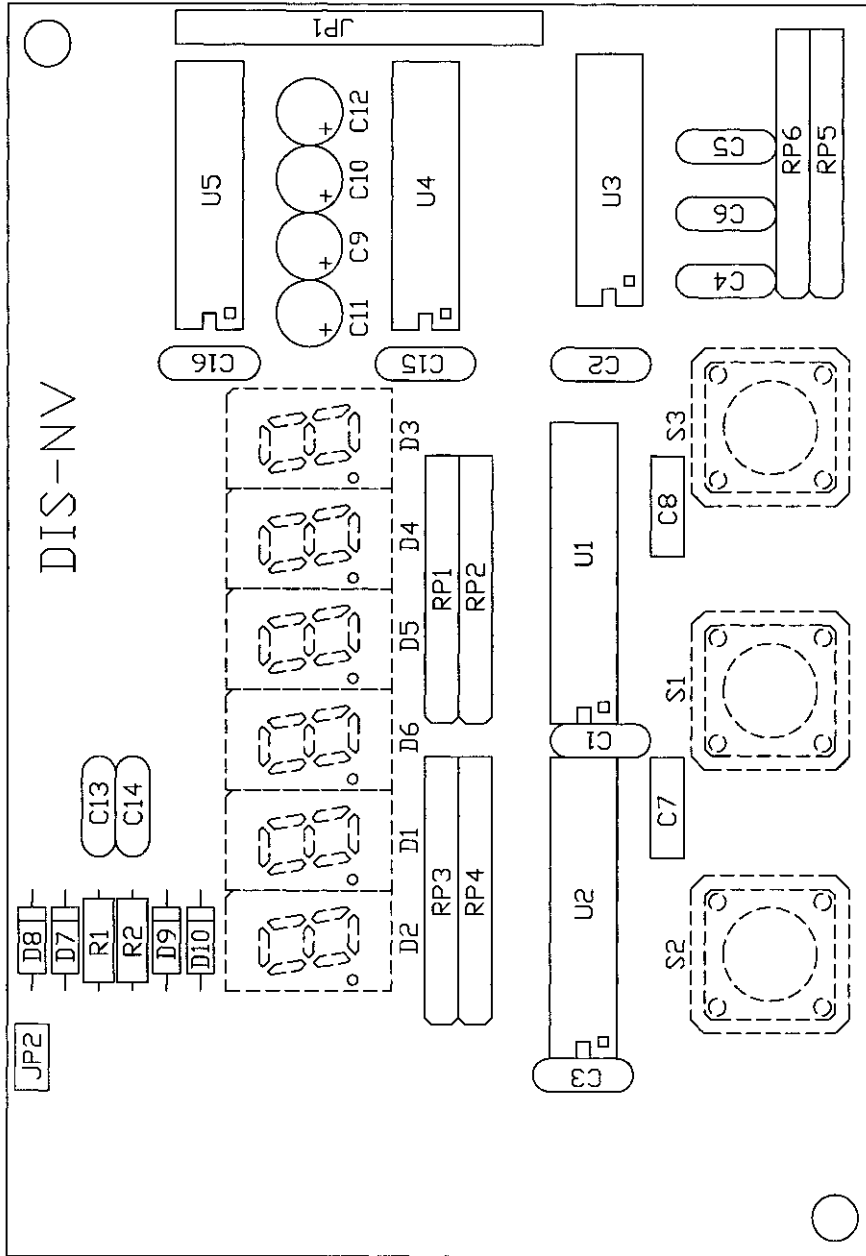


Nome Progetto:	RX1-NV	Page:	1 of 1	Rev:	A2
Autore:	REV. BERTI J.	Data:	02/09/02	Controllato/Progettato:	
Nome file in Rete:	NUCC1	Versione:	1.0	Nome cartella:	DISPLAY SECTION
File/Caricamenti/Alimenti/Moduli/Altre:	NUCC1	Autore/Revisione:	CM/AV		

DISPLAY SECTION Bill Of Materials

Page 1

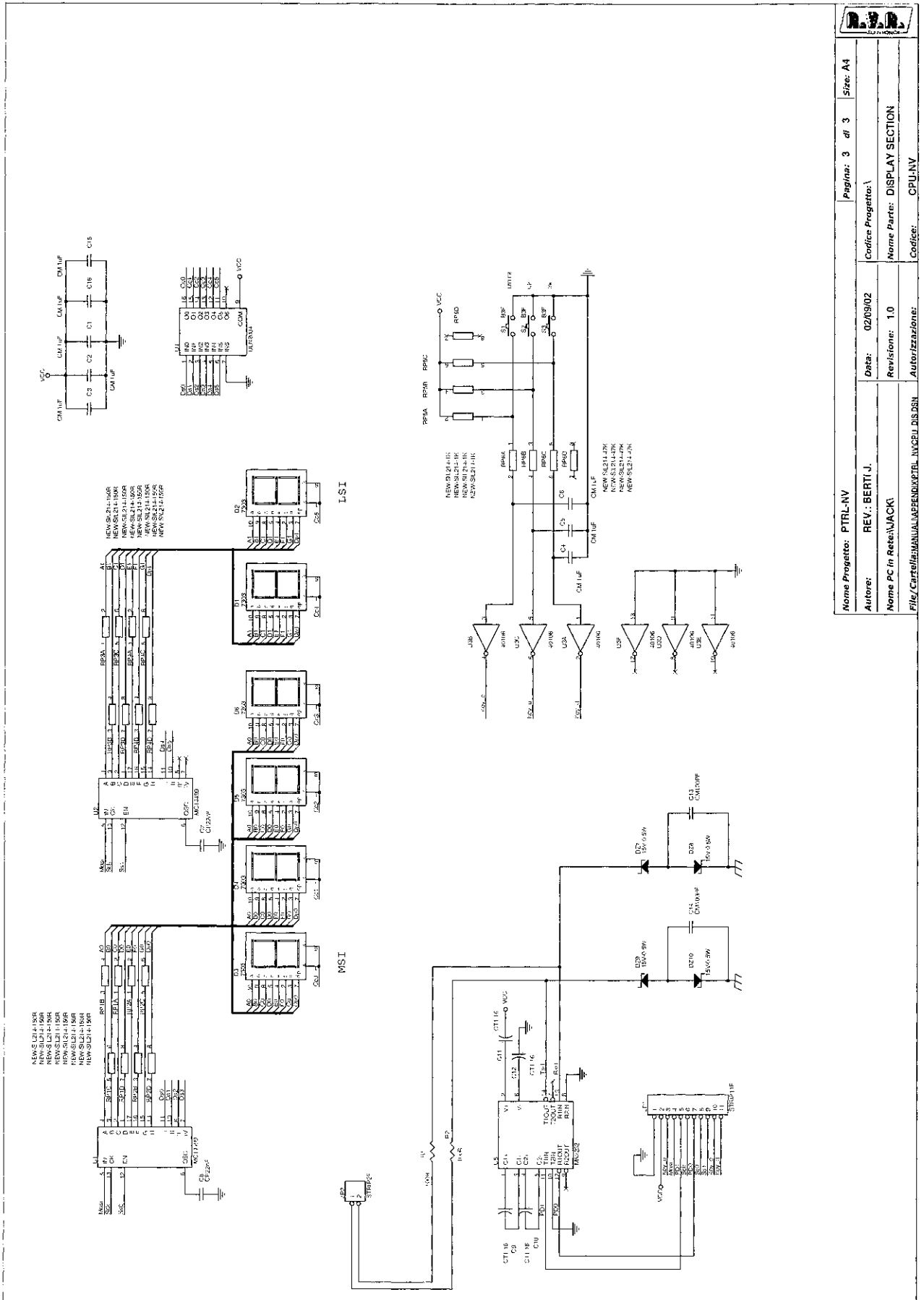
Item	Q.ty	Reference	Part
1	15	C1, C2, C3, C4, C5, C6, C13, C14, C15, C16, C17, C18, C19, C20, C21	CM.1uF
2	4	C7, C8, C9, C10	CT1/16
3	2	C11, C12	CM100PF
4	4	DZ1, DZ2, DZ3, DZ4	15V-0.5W
5	6	D1, D2, D3, D4, D5, D6	7303
6	2	H2, H1	FIX
7	1	JP1	STRIP2M
8	1	JP2	STRIP11M
9	5	J3, J4, J5, J6, J7	JUMPER
10	2	R1, R2	100R
11	51	R3, R4, R5, R6, R7, R8, R9, R10, R11, R12, R13, R14, R15, R16, R17, R18, R19, R20, R21, R22, R23, R24, R25, R26, R27, R28, R29, R30, R31, R32, R33, R34, R35, R36, R37, R38, R39, R40, R41, R42, R43, R44, R45, R46, R47, R48, R49, R50, R51, R52, R53	680R
12	5	R54, R55, R56, R57, R58	47K
13	3	S1, S2, S3	B3F
14	1	U1	MAX232
15	1	U2	74HC132
16	6	U3, U4, U6, U7, U9, U10	4511
17	4	U5, U8, U11, U13	74HC164



Nome Progetto		RX1-NV		Pagina 2 di 2		Size A4	
Autore	REV. BERTI J.	Data	02/09/02	Codice Progettista	/		
Nome PC in Rete	\\JACK	Revisione	1.0	Nome Parte	DISPLAY SECTION		
File/Carrello	MANUALI\APPENDIX\RX1_NV\AVCPUB.DWG	Autorizzazione	/		Codice	CPU-NV	
Scale	/		Trasmissione	/		Profilo	/

Versione precedente, solo per riferimento

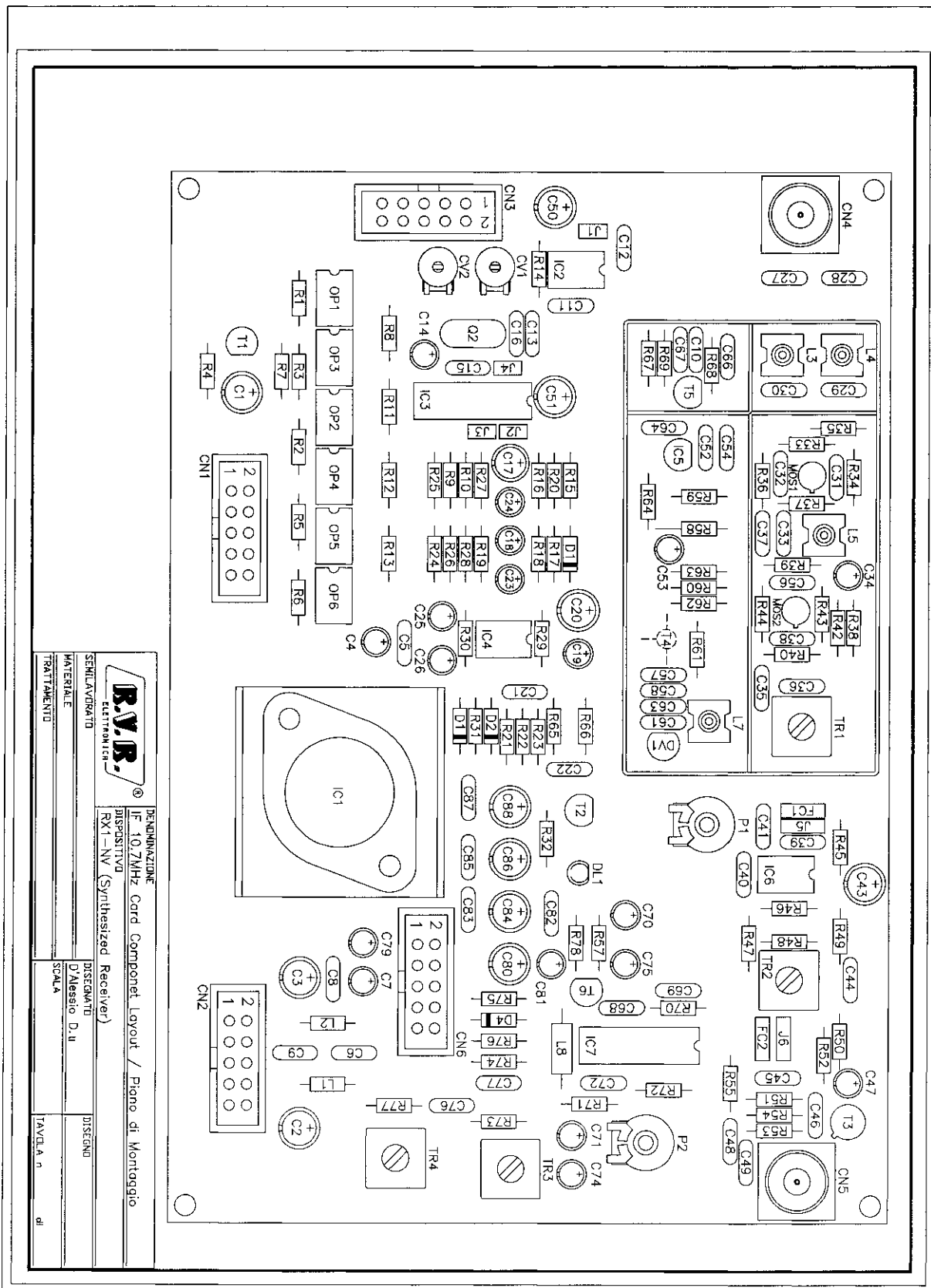
Former version, for reference only

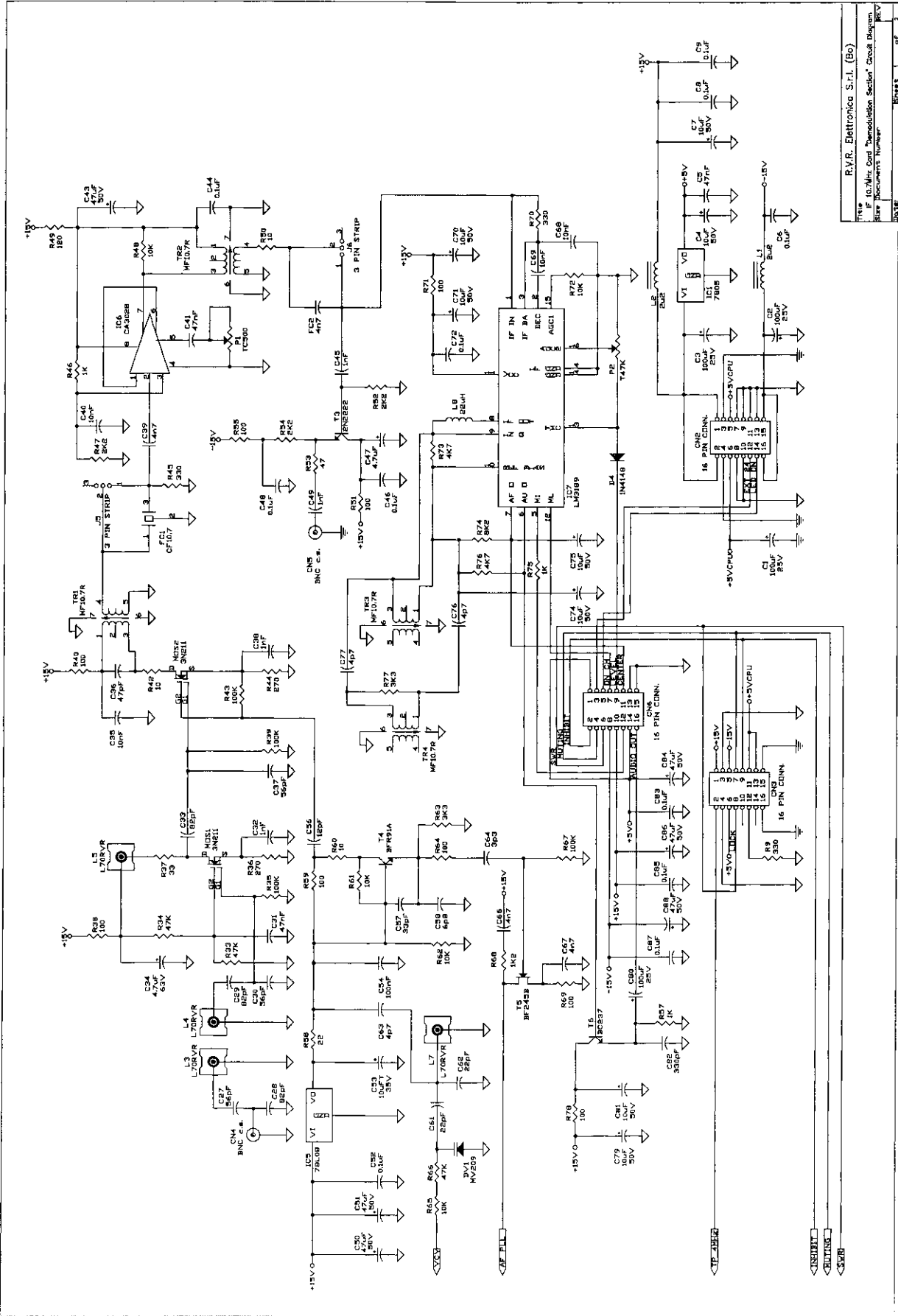


Nome Progetto: PTRL-NV		Pagina: 3 di 3		Size: A4
Autore: REV.: BERTI J.		Data: 02/09/02		Codice Progetto: 1
Nome PC in Rete: \NAACK\		Revisione: 1.0		Nome Parte: DISPLAY SECTION
File/Cartella/MANUALI/APPENDIX/CTRL_NV/CELL_DISPLAY		Autore/Revisione:		Codice: CPU-NV

Versione precedente, solo per riferimento
Former version, for reference only

Item	Quantity	Reference	Part
1	8	C1,C2,C3,C4,C5,C6,C15, C16	CM.1UF
2	2	C7,C8	CP22NF
3	4	C9,C10,C11,C12	CT1/16
4	2	C13,C14	CM100PF
5	4	DZ7,DZ8,DZ9,DZ10	15V-0.5W
6	6	D1,D2,D3,D4,D5,D6	7303
7	1	JP1	STRIP11F
8	1	JP2	STRIP2F
9	4	RP1,RP2,RP3,RP4	NEW-SIL214-150R
10	1	RP5	NEW-SIL214-1K
11	1	RP6	NEW-SIL214-47K
12	2	R1,R2	100R
13	3	S1,S2,S3	B3F
14	2	U1,U2	MC14499
15	1	U3	40106
16	1	U4	ULN2004
17	1	U5	MAX232



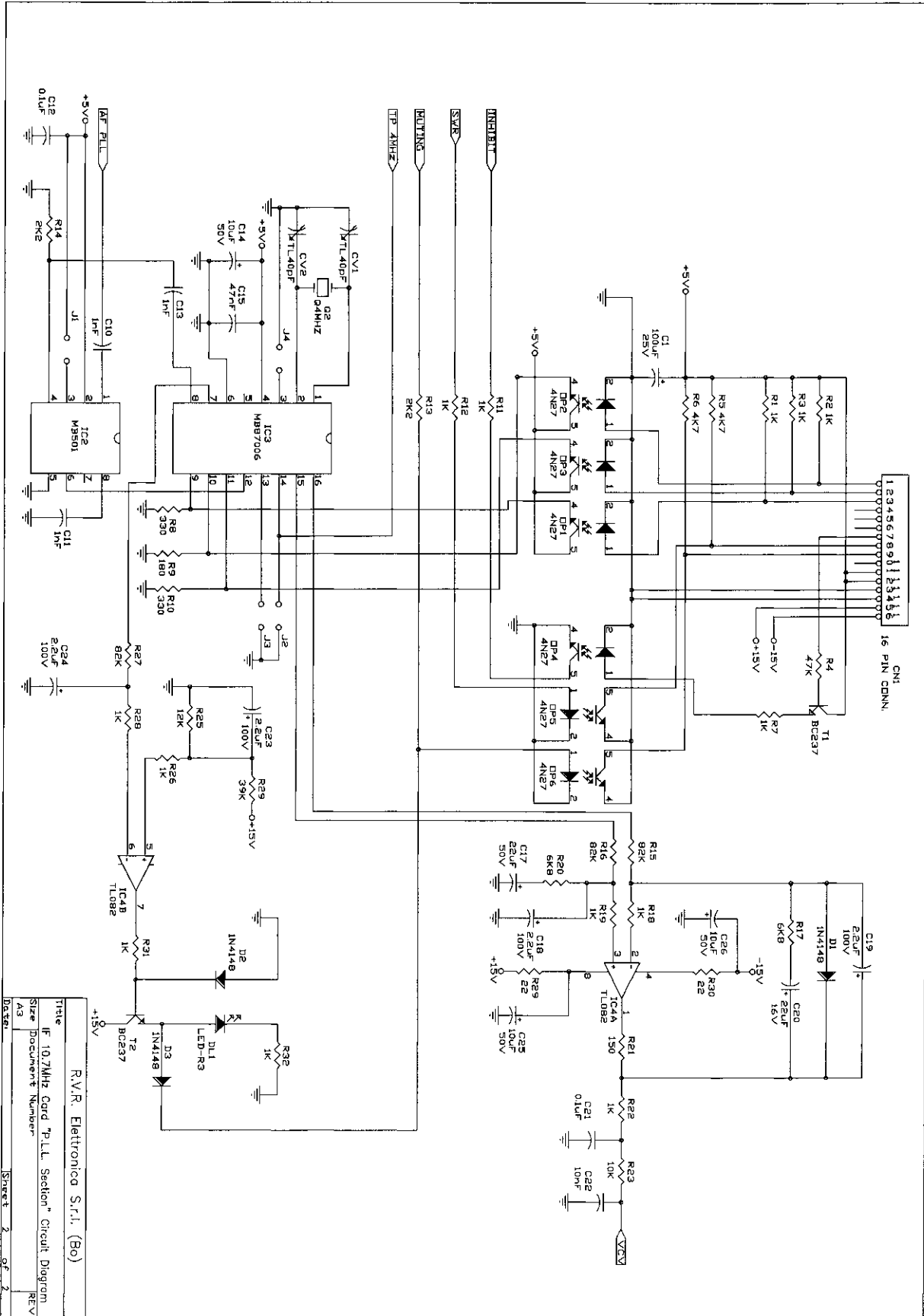


Rev	R.V.R. Electronics S.r.l. (Bo)
Descr	IF 10.7Mhz Cord Demodulation Section* Circuit Diagram
Doc	Doc. No. _____
Rev	_____

Item	Q.ty	Reference	Part	DESCRIPTION	PART ORDER CODE
1	3	R42,R50,R60	10	RESISTOR 1/4W 5%	RSC1/4JH0010
2	1	R58	22	RESISTOR 1/4W 5%	RSC1/4JH0022
3	1	R37	33	RESISTOR 1/4W 5%	RSC1/4JH0033
4	1	R53	47	RESISTOR 1/4W 5%	RSC1/4JH0047
5	9	R38,R40,R51,R55,R59,R64, R69,R71,R78	100	RESISTOR 1/4W 5%	RSC1/4JH0100
6	1	R49	120	RESISTOR 1/4W 5%	RSC1/4JH0120
7	2	R36,R44	270	RESISTOR 1/4W 5%	RSC1/4JH0270
8	3	R9,R45,R70	330	RESISTOR 1/4W 5%	RSC1/4JH0330
9	3	R46,R57,R75	1K	RESISTOR 1/4W 5%	RSC1/4JK0001
10	1	R68	1K2	RESISTOR 1/4W 5%	RSC1/4JK01,2
11	3	R47,R52,R54	2K2	RESISTOR 1/4W 5%	RSC1/4JK02,2
12	2	R63,R77	3K3	RESISTOR 1/4W 5%	RSC1/4JK03,3
13	1	R76	4K7	RESISTOR 1/4W 5%	RSC1/4JK04,7
14	1	R74	8K2	RESISTOR 1/4W 5%	RSC1/4JK08,2
15	5	R48,R61,R62,R65,R72	10K	RESISTOR 1/4W 5%	RSC1/4JK0010
16	3	R33,R34,R66	47K	RESISTOR 1/4W 5%	RSC1/4JK0047
17	4	R35,R39,R43,R67	100K	RESISTOR 1/4W 5%	RSC1/4JK0100
18	1	P1	TC500	TRIMMER REG. VERT. CERMET	RVTCERVH0500
19	1	P2	T47K	TRIMMER REG. VERT. 10mm	RVTD10VK0047
20	1	C64	3P3	CERAMIC CAPACITOR NP0	CKM3.3BJ600C
21	3	C63,C76,C77	4P7	CERAMIC CAPACITOR NP0	CKM4.7BJ600C
22	1	C58	6P8	CERAMIC CAPACITOR NP0	CKM6.8BJ600C
23	1	C56	12PF	CERAMIC CAPACITOR NP0	CKM120BJ600C
24	2	C61,C62	22PF	CERAMIC CAPACITOR NP0	CKM220BJ600C

25	1	C57	33PF	CERAMIC CAPACITOR NP0	CKM330BJ600C
26	1	C36	47PF	CERAMIC CAPACITOR NP0	CKM470BJ600C
27	3	C27,C30,C37	56PF	CERAMIC CAPACITOR NP0	CKM560BJ600C
28	3	C28,C29,C33	82PF	CERAMIC CAPACITOR NP0	CKM820BJ600C
29	1	C82	330PF	CERAMIC CAPACITOR	CKM331BK600P
30	4	C32,C38,C45,C49	1NF	CERAMIC CAPACITOR	CKM102BK600P
31	4	FC2,C39,C66,C67	4N7	CERAMIC CAPACITOR	CKM472BK600P
32	4	C35,C40,C68,C69	10NF	CERAMIC CAPACITOR	CKM103BK600P
33	3	C5,C31,C41	47NF	CERAMIC CAPACITOR	CKM473BK600P
34	1	C54	100NF	CERAMIC CAPACITOR	CKM104BK600P
35	11	C6,C8,C9,C44,C46,C48,C52, C72,C83,C85,C87	0.1UF	CERAMIC CAPACITOR	CKM104BK600P
36	2	C34,C47	4.7UF	ELECTROLYTIC CAPACITOR	CEA475AM350
37	8	C4,C7,C70,C71,C74,C75, C79,C81	10UF	ELECTROLYTIC CAPACITOR	CEA106AM350
38	1	C53	10UFT	TANTALIUM CAPACITOR	CET106AM350
39	6	C43,C50,C51,C84,C86,C88	47UF	ELECTROLYTIC CAPACITOR	CEA476BM630
40	4	C1,C2,C3,C80	100UF	ELECTROLYTIC CAPACITOR	CEA107BM350
41	2	L1,L2	2U2	RF CHOKE	IMP02U2A
42	1	L8	22UH	RF CHOKE SMD	
43	4	L3,L4,L5,L7	L70RVR	BOBINA 70MHZ	FBBP70MHZ
44	4	TR1,TR2,TR3,TR4	MF10.7R	MEDIA FREQ. 10.7 MHz ROSA	TRFMF110
45	2	J5,J6	3 PIN STRIP	STRIP M P 2.54 3 PIN	CNTSTRIPMCS
46	3	CN2,CN3,CN6	16 PIN CONN.	CONN. M 2*8 P 2.54	CNTMCSFC16P
47	2	CN4,CN5	BNC C.S.	CONN. BNCA STAMPATO	CNTBNCFCSD
48	1	FC1	CF10.7	CERAMIC FILTER 10.7 MHZ	FCKSFE10.7MX
49	1	D4	1N4148	SILICON DIODE	DIS1N4148
50	1	DV1	MV209	VARICAP DIODE	DIVMV209
51	1	IC1	7805	POS. STABILIZER 1A	CIL7805P
52	1	IC5	78L08	POS. STABILIZER 100mA	CIL78L08

53	1	T6	BC237	NPN TRANSISTOR	TRNBC237
54	1	T3	2N2222	NPN RF TRANSISTOR	TRN2N2222
55	1	T4	BFR91A	NPN RF TRANSISTOR	TRNBFR91A
56	1	T5	BF245B	FET TRANSISTOR	TRNBF245B
57	2	MOS1,MOS2	3N211	MOSFET 2 GATE	TRN3N211
58	1	IC7	LM3189	FM DEMODULATOR	CILLM3189
59	1	IC6	CA3028	IF DIFF. AMPLIFIER	CILCA3028
60	1	R73	4K7	RESISTOR 1/4W 5%	



Title		R.V.R. Electronica S.r.l. (Bo)	
Size		1F 10.7MHz Card "P.L.L. Section" Circuit Diagram	
Document Number		REV	
Date		Sheet 2 of 2	

Item	Q.ty	Reference	Part	DESCRIPTION	PART ORDER CODE
1	2	R29,R30	22	RESISTOR 1/4W 5%	RSC1/4JH0022
2	1	R21	150	RESISTOR 1/4W 5%	RSC1/4JH0150
3	1	R9	180	RESISTOR 1/4W 5%	RSC1/4JH0180
4	2	R8,R10	330	RESISTOR 1/4W 5%	RSC1/4JH0330
5	13	R1,R2,R3,R7,R11,R12, R18,R19,R22,R26,R28,R31,R32	1K	RESISTOR 1/4W 5%	RSC1/4JK0001
6	2	R13,R14	2K2	RESISTOR 1/4W 5%	RSC1/4JK02,2
7	2	R5,R6	4K7	RESISTOR 1/4W 5%	RSC1/4JK04,7
8	2	R17,R20	6K8	RESISTOR 1/4W 5%	RSC1/4JK06,8
9	1	R23	10K	RESISTOR 1/4W 5%	RSC1/4JK0010
10	1	R25	12K	RESISTOR 1/4W 5%	RSC1/4JK0012
11	1	R29	39K	RESISTOR 1/4W 5%	RSC1/4JK0039
12	1	R4	47K	RESISTOR 1/4W 5%	RSC1/4JK0047
13	3	R15,R16,R27	82K	RESISTOR 1/4W 5%	RSC1/4JK0082
14	2	CV1,CV2	TL40PF	TRIMMER CAPCITOR	CVC400DK600
15	3	C10,C11,C13	1NF	CERAMIC CAPACITOR	CKM102BK600P
16	1	C22	10NF	CERAMIC CAPACITOR	CKM103BK600P
17	1	C15	47NF	CERAMIC CAPACITOR	CKM473BK600P
18	2	C12,C21	0.1UF	CERAMIC CAPACITOR	CKM104BK600P
19	4	C18,C19,C23,C24	2.2UF	ELECTROLYTIC CAPACITOR	CEA225AM630
20	3	C14,C25,C26	10UF	ELECTROLYTIC CAPACITOR	CEA106AM350
21	2	C17,C20	22UF	ELECTROLYTIC CAPACITOR	CEA226BM350
22	1	C1	100UF	ELECTROLYTIC CAPACITOR	CEA107BM350
23	4	J1,J2,J3,J4	2 PIN STRIP	STRIP M P 2.54 2 PIN	CNTSTRIPMCS

24	1	CN1	16 PIN CONN.	CONN. M2*8 P 2.54	CNTMCSFC16P
25	1	Q2	Q4MHZ	CRYSTAL	QRZ4HC18
26	3	D1,D2,D3	1N4148	SILICON DIODE	DIS1N4148
27	1	DL1	LED-R3	RED LED DIODE 3mm	LEDRO03
28	6	OP1,OP2,OP3,OP4,OP5, OP6	4N27	PHOTOCOUPLER	LED4N27
29	2	T1,T2	BC237	NPN TRANSISTOR	TRNBC237
30	1	IC4	TL082	DOUBLE OP. AMP.	CILTLO82
31	1	IC2	MB501	DUAL MOD. PRESCALER	CIDMB501
32	1	IC3	MB87006	INTEGRATED DIVIDER PLL	CIDMB87006