



# GPSRXNV-00, GPSRXNV-01 & GPSRXNV-02

TECHNICAL ANNEX  
VOLUME 2



R.V.R. Elettronica S.r.l.  
Via del Fonditore 2 / 2c  
40138 · Bologna · Italy  
Phone: +39 051 6010506 · Fax: +39 051 6011104  
e-mail: [info@rvr.it](mailto:info@rvr.it) · web: <http://www.rvr.it>



The RVR Logo, and others referenced RVR products and services are trademarks of RVR Elettronica in Italy, other countries or both. RVR © 1998 all rights reserved.  
All other trademarks, trade names or logos used are property of their respective owners.

Manufactured by R.V.R. ELETTRONICA S.r.l. Italy

## Appendix A Piani di montaggio, schemi elettrici, liste componenti / Component layouts, schematics, bills of material

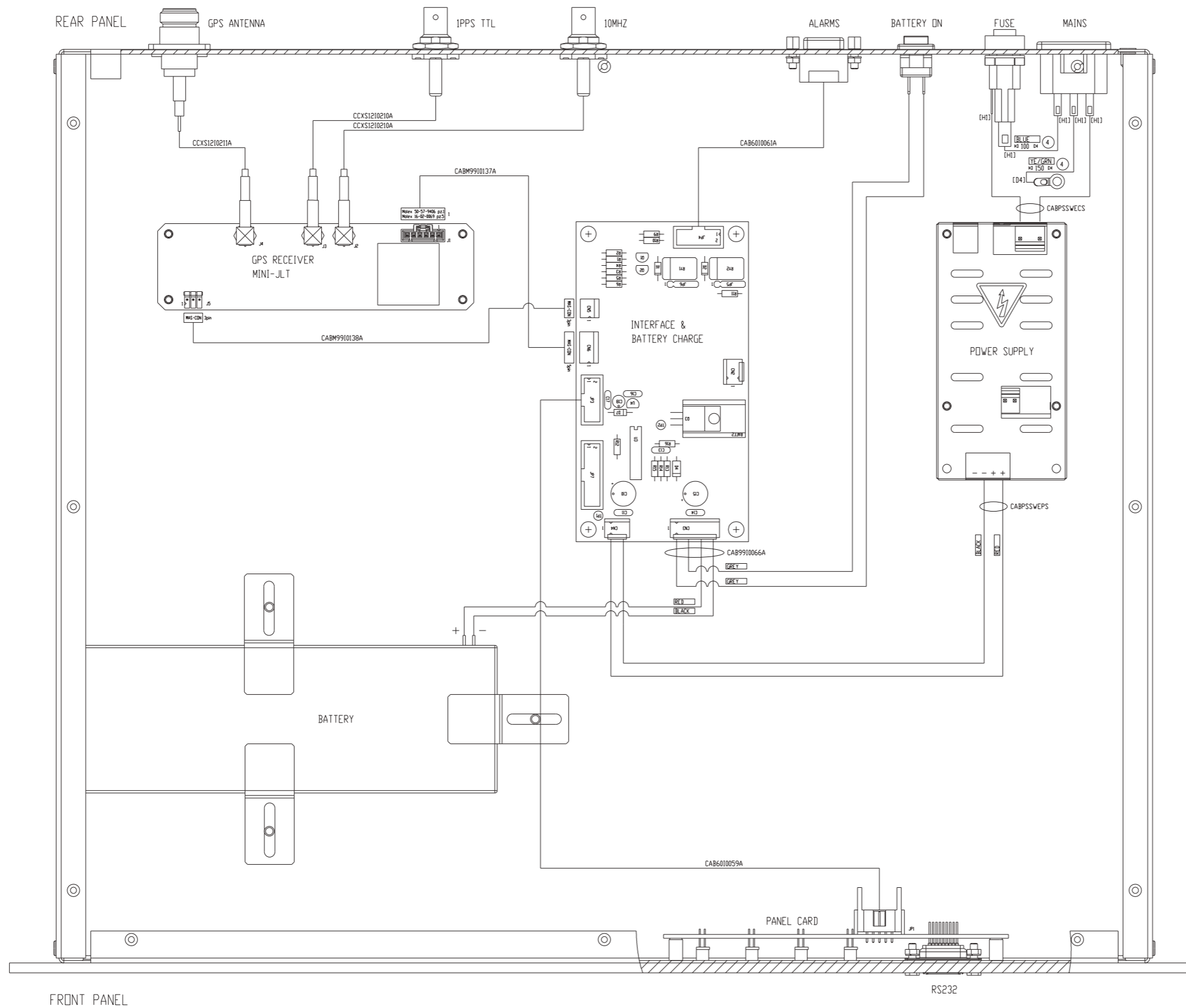
Questa parte del manuale contiene i dettagli tecnici riguardanti la costruzione delle singole schede componenti il GPSRXNV-00, GPSRXNV-01 & GPSRXNV-02 . L'appendice è composta dalle seguenti sezioni:

*This part of the manual contains the technical details about the different Cards of the GPSRXNV-00, GPSRXNV-01 & GPSRXNV-02 . This appendix is composed of the following sections:*

Description	RVR Code	Vers.	Page
<b>GPSRXNV-00, GPSRXNV-01 &amp; GPSRXNV-02</b>			
Wiring Diagram	/	2.1	1
Panel Card	SL041PC1001	1.0	3
Interface Card	SLIN0005R03V01	1.0	7
<b>/DSTB-GPSRX Option</b>			
Wiring Diagram with /DSTB-GPSRX	/	2.1	2
10MHz Distributor Card	SLSP0507R01V01	1.0	8
<b>GPSRXNV-01 &amp; GPSRXNV-02</b>			
GPSRXNV-01 & -02 Additional Cables	/	1.0	10
<b>GPSRXNV-02</b>			
GPSRXNV-02 Additional Cables	/	1.0	11

### Document History

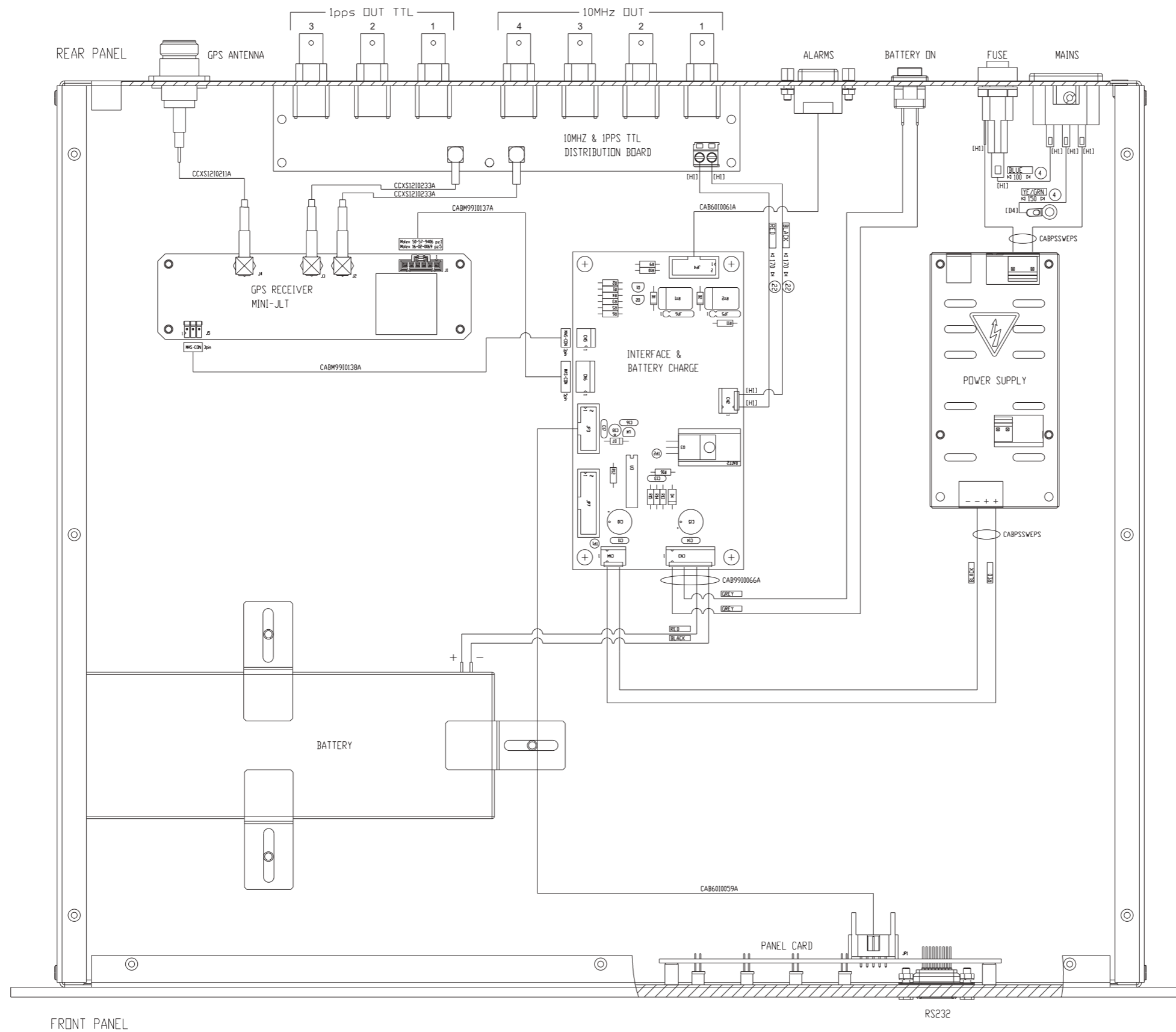
Date	Version	Reason	Code	Editor
10/04/2003	1.0	First Release	/	J.H. Berti
29/11/2022	2.0	Second Release	/	J.H. Berti



WIRES INFO	
-36-	WIRE IDENTIFICATION # (OPTIONAL)
WHITE	PLASTIC INSULATOR COLOUR
1.5	CONDUCTOR SECTION AREA IN mm <sup>2</sup>
≈1400±	LENGTH IN mm SEE EXAMPLES BELOW :

TERMINAL IDENTIFIER	TERMINAL TYPOLOGY
[D4]	
[H1]	

<b>R.V.R.</b> ELETTRONICA	PRODUCT NAME :	GPSRXNV	PART NAME :	WIRING DIAGRAM
	DESIGNER :	G. DE DONNO	DATE :	28-07-22
ARCHIVING : 'RVRUT' SERVER, 'RILASCIATI' FOLDER	PROJECT CODE :	041	REVISION :	2.1
			SCALE :	/
			SIZE :	A3
			PAGE :	1 DI 2
			DOCUMENT CODE :	<



WIRES INFO	
-36-	WIRE IDENTIFICATION # (OPTIONAL)
WHITE	PLASTIC INSULATOR COLOUR
15	CONDUCTOR SECTION AREA IN mm <sup>2</sup>
±1400	LENGTH IN mm SEE EXAMPLES BELOW :

TERMINAL IDENTIFIER	TERMINAL TYPOLGY
[D4]	
[H1]	

	PRODUCT NAME : GPSRXNV	PART NAME : WIRING DIAGRAM WITH 10MHZ/IPPS DISTRIBUTOR
	DESIGNER : G. DE DONNO	DATE : 28-07-22   REVISION : 2.1   SCALE : /   SIZE : A3   PAGE : 2 DI 2
ARCHIVING : 'RVTRUT' SERVER, 'RILASCIATI' FOLDER		PROJECT CODE : 041   DOCUMENT CODE : <>

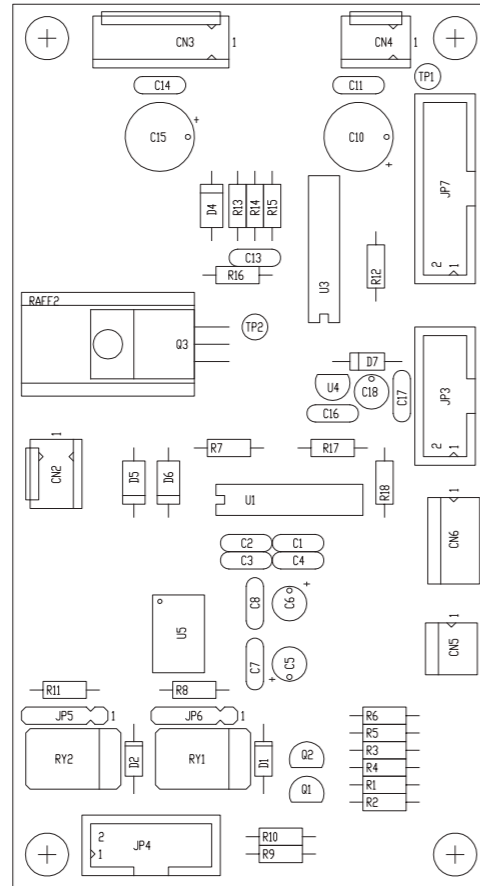


SL041PC1001

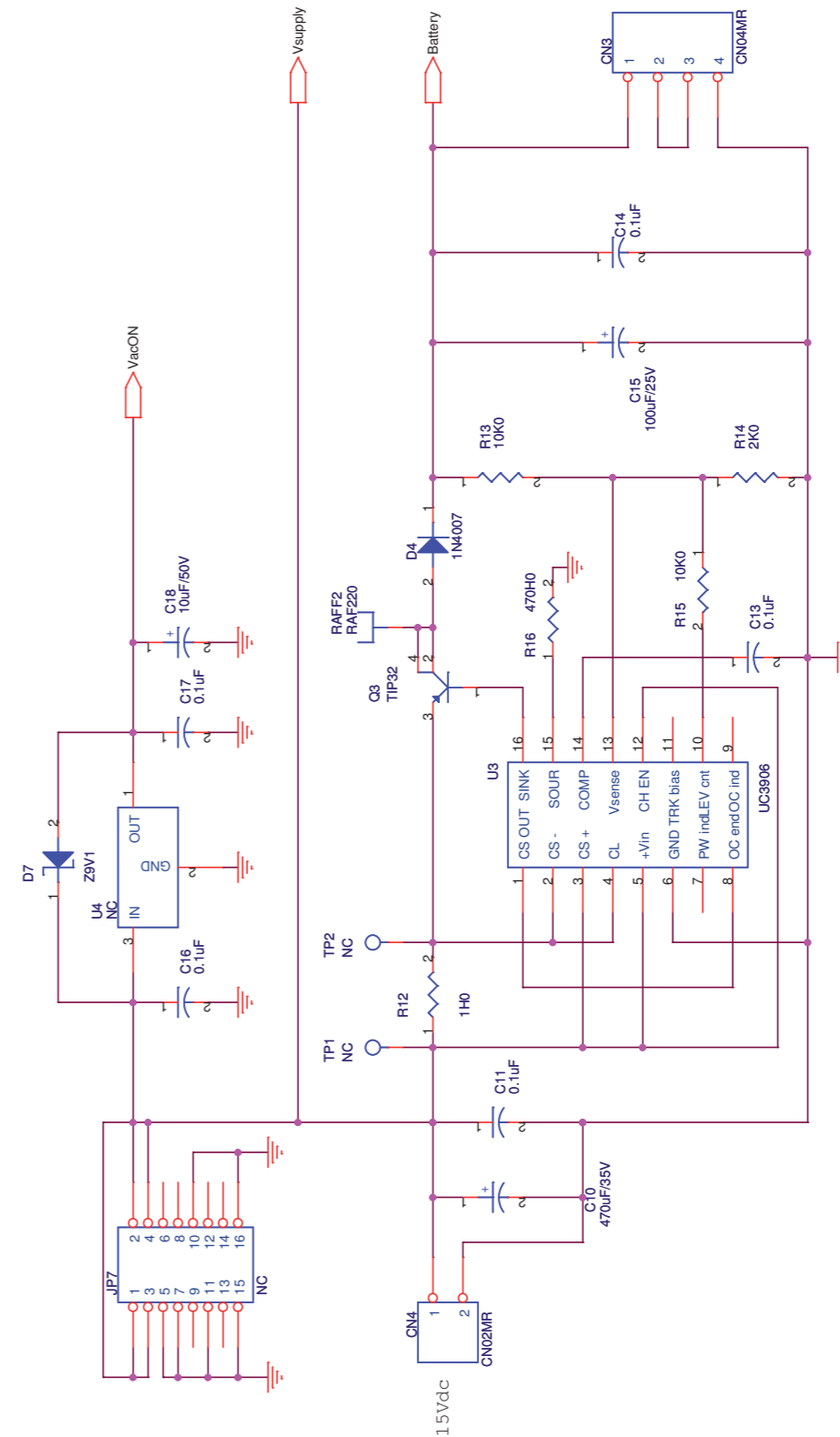
Scheda pannello Revised: 01-08-2005  
SL041PC1001 Revision: 1.0  
Ricevitore GPS  
RVR0041  
Tommasi A.

Item	Quantity	Reference	Part	Description
1	1	CN1	DB9FSD	Connettore DB9 femm. cs
2	1	CS1	CSPC0038R1	Circuito stampato
3	4	DL1, DL2, DL3, DL4	LED-G5	LED dia. 5mm
4	1	D1	0H0	Res. 1/4W
5	2	FIX1, FIX2	FIX35	Foro fissaggio 3.5mm
6	1	JP1	CN10PD	Connettore 10 poli Flat cs
7	1	R1	820H0	Res. 1/4W 1%

SLIN0005R03V01



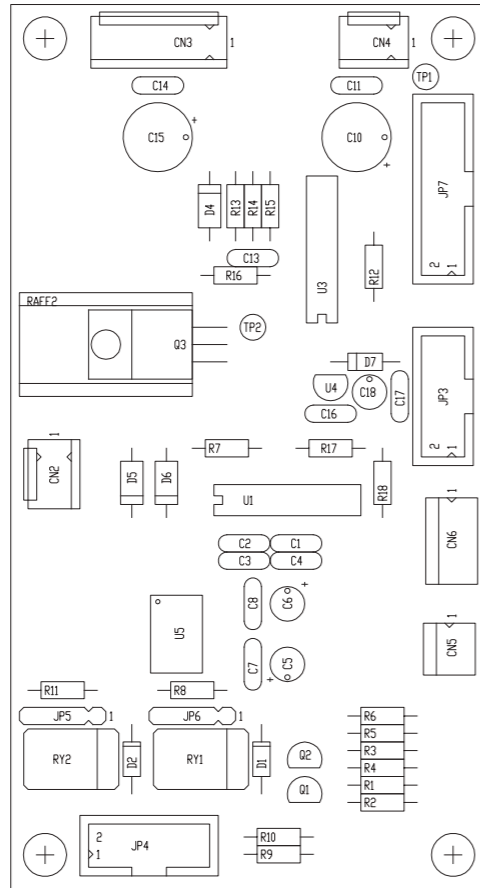
	PRODUCT NAME : GPSRXNV	PART NAME : INTERFACE CARD			
	DESIGNER : A. TOMMASI	DATE : 09/01/18	REVISION : 1.0	SCALE : 1:1	SIZE : A4
ARCHIVING : "RVRUT" SERVER, "RILASCIATI" FOLDER	PROJECT CODE : 041	DOCUMENT CODE : SLIN0005R03V01			



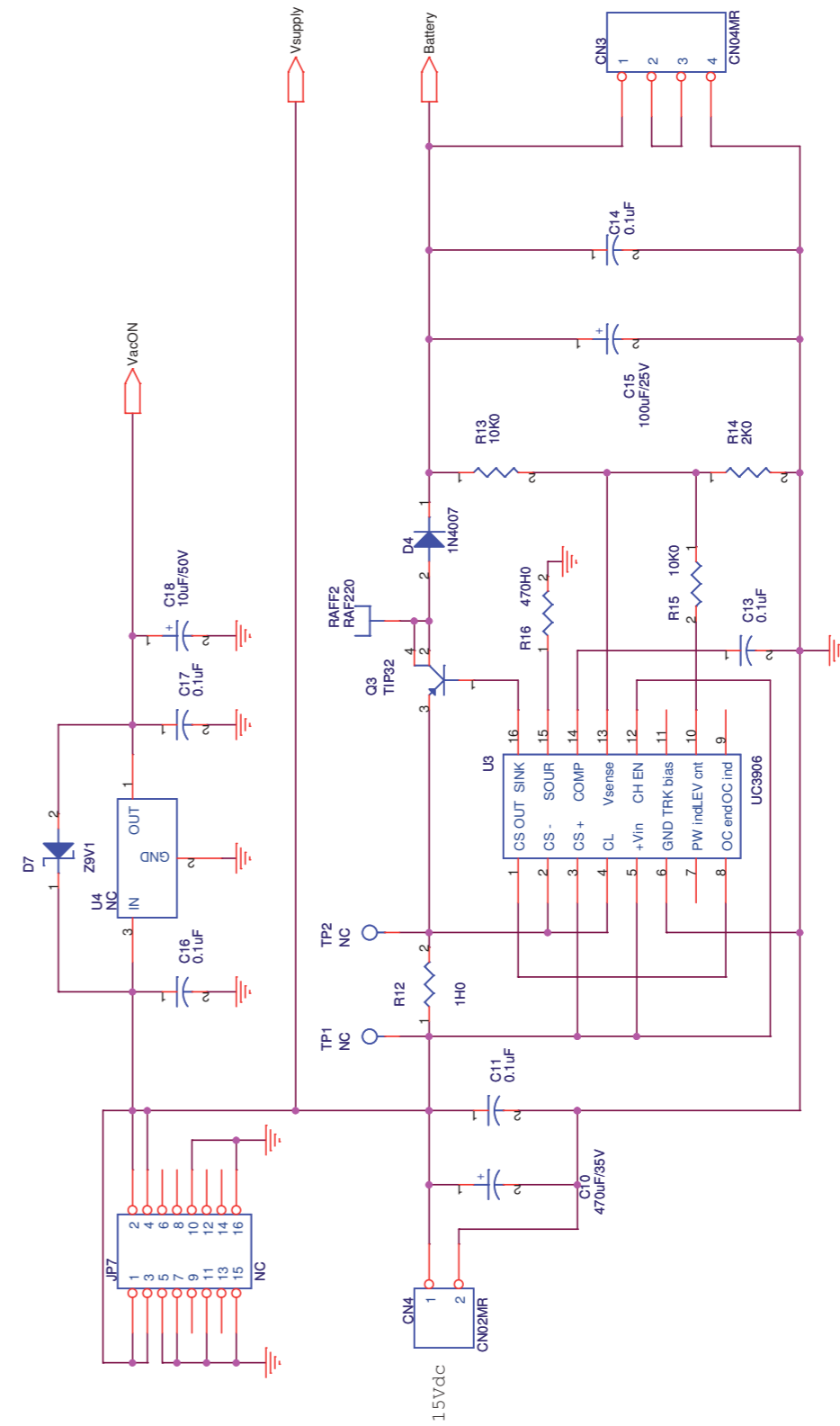
**R.V.R.**  
ELETTRONICA

Description: GPS RX Interface  
 Designer: Tommasi A.  
 Part No.: SLIN0005R03V01

Size: A4  
 Page: 1 of 2  
 Rev: 1.0  
 Date: 09/01/2018



	PRODUCT NAME : GPSRXNV	PART NAME : INTERFACE CARD				
	DESIGNER : A. TOMMASI	DATE : 09/01/18	REVISION : 1.0	SCALE : 1:1	SIZE : A4	PAGE : 1 DI 1
ARCHIVING : "RVRUT" SERVER, "RILASCIATI" FOLDER		PROJECT CODE : 041	DOCUMENT CODE : SLIN0005R03V01			



Description: GPS RX Interface  
 Designer: Tommasi A.  
 Part No.: SLIN0005R03V01

Size: A4    Page: 1 of 2  
 Rev: 1.0    Date: 09/01/2018

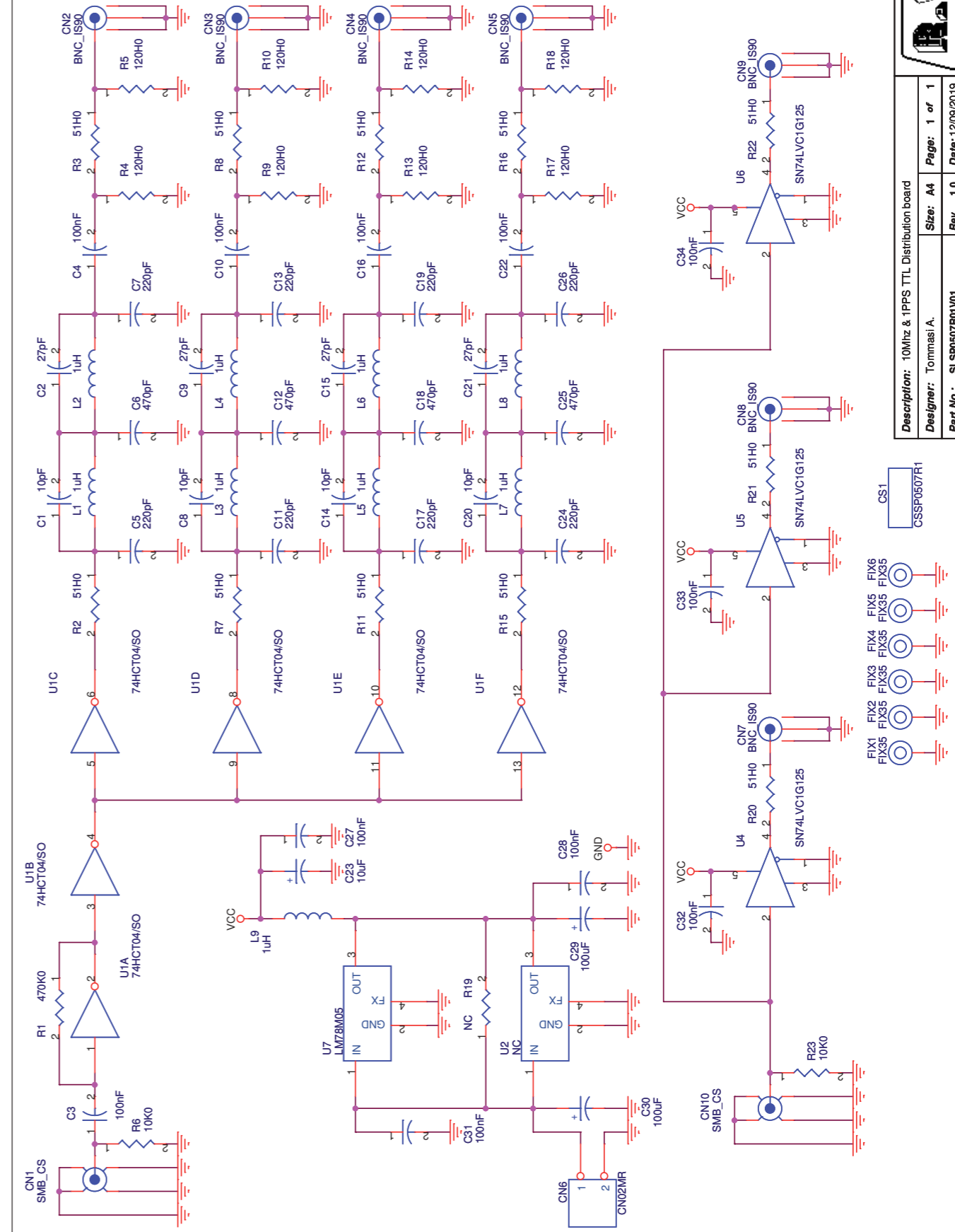
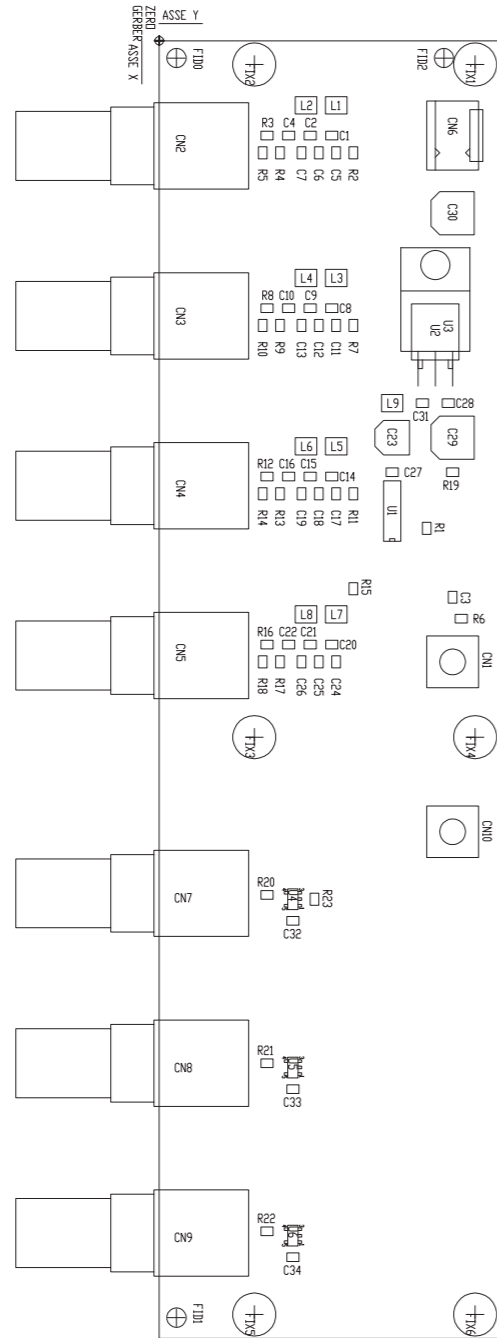


SLIN0005R03V01

GPS RX Interface Revised: Tuesday, January 09, 2018  
 SLIN0005R03V01 Revision: 1.0  
 Tommasi A.

Item	Quantity	Reference	Part	Description
1	2	CN2, CN4	CN02MR	Conn. Phoenix MSTB p. 5mm 2 pin
2	1	CN3	CN04MR	Conn. Phoenix MSTB p. 5mm 4 pin
3	1	CN5	CN03PS	Conn. 3 poli Mascon
4	1	CN6	CN05PS	Conn. 5 poli Mascon
5	1	CS1	CSIN0005R3	Circuito stampato
6	11	C1, C2, C3, C4, C7, C8, C11, C13, C14, C16, C17	0.1uF	Cond. ceramico p 5mm
7	3	C5, C6, C18	10uF/50V	Cond. Elettr. Dia 5 P2.54
8	1	C10	470uF/35V	Cond. Elettr. Dia 10 P5.08
9	1	C15	100uF/25V	Cond. Elettr. Dia 10 P5.08
10	2	D1, D2	1N4148	Diode in vetro DO35
11	3	D4, D5, D6	1N4007	Diode plastico DO41
12	1	D7	Z9V1	1/2W Zener Diode
13	4	FIX1, FIX2, FIX3, FIX4	FIX35	Foro fissaggio 3.5mm
14	2	JP3, JP4	CN10PD	Conn. 10 poli Flat cs con alette
15	2	JP5, JP6	STM05S	Male strip 5 pin
16	1	JP7	NC	Conn.M.C.S.Dritto 16P alette.
17	2	Q1, Q2	BC547	Trans. NPN TO92
18	1	Q3	TIP32	Trans. PNP TO220
19	1	RAFF2	RAF220	Dissipatore TO220 20x15
20	2	RY1, RY2	RLTQ2A-12V	Rele' TQ2
21	2	R1, R3	4K70	Res. 1/4W 1%
22	4	R2, R4, R13, R15	10K0	Res. 1/4W 1%
23	3	R5, R6, R7	1K20	Res. 1/4W 1%
24	2	R8, R11	47H0	Res. 1/4W 1%
25	2	R9, R10	100H0	Res. 1/4W 1%
26	1	R12	1H0	Res. 1/4W 1%
27	2	R14, R17	2K0	Res. 1/4W 1%
28	1	R16	470H0	Res. 1/4W 1%
29	1	R18	NC	Res. 1/4W 1%
30	2	TP1, TP2	NC	Test point
31	1	U1	MAX202E	RS232 ESD Driver DIL16
32	1	U3	UC3906	Controllo carica batt. PB
33	1	U4	NC	Stabilizzatore TO92
34	1	U5	OKI-78SR-5/1.5	Switching SIP3 regulator

SLSP0507R01V01



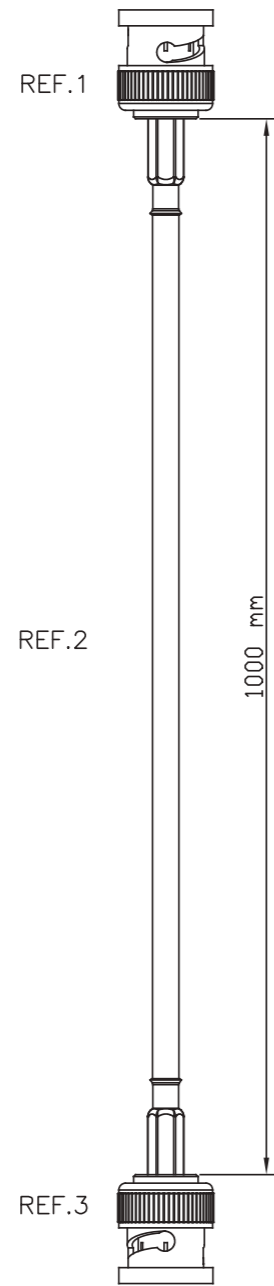
	PRODUCT NAME : GPSRX-NV	PART NAME : 10MHZ 1PPS DISTRIBUTION BOARD
	DESIGNER : A. TOMMASI	DATE : 08/10/19
ARCHIVING : 'RVRUT' SERVER, 'RILASCIATI' FOLDER	PROJECT CODE : 041	DOCUMENT CODE : SLSP0507R01V01

	Description: 10Mhz & 1PPS TTL Distribution board
	Designer: Tommasi A.
Part No.: SLSP0507R01V01	Size: A4
Rev. 1.0	Page: 1 of 1
	Date: 12/09/2019

SLSP0507R01V01

10MHz & 1PPS TTL Distribution board Revised: 12/09/2019  
 SLSP0507R01V01 Revision: 1.0  
 Tommasi A.

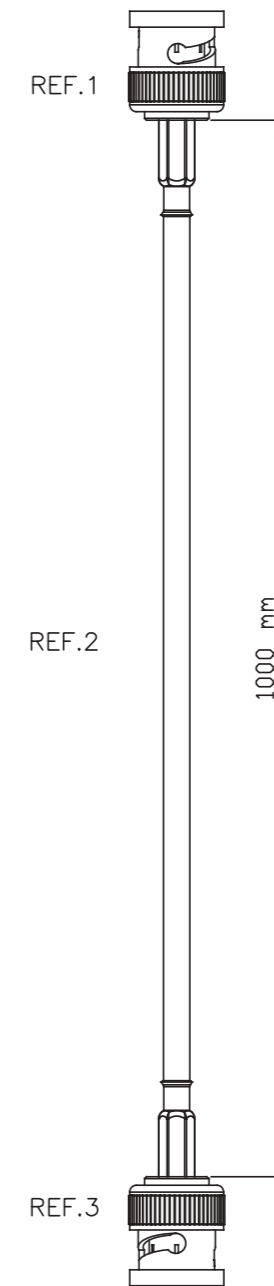
Item	Quantity	Reference	Part	Description
1	2	CN1, CN10	SMB_CS	SMB pcb conn.
2	7	CN2, CN3, CN4, CN5, CN7, CN8, CN9	BNC_IS90	Metal BNC conn. 90°
3	1	CN6	CN02MR	Phoenix conn. MSTB p. 5mm 2 pin
4	1	CS1	CSSP0507R1	Printed Circuit board
5	4	C1, C8, C14, C20	10pF	0805 SMD capacitor
6	4	C2, C9, C15, C21	27pF	0805 SMD capacitor
7	11	C3, C4, C10, C16, C22, C27, C28, C31, C32, C33, C34	100nF	0805 SMD capacitor
8	8	C5, C7, C11, C13, C17, C19, C24, C26	220pF	0805 SMD capacitor
9	4	C6, C12, C18, C25	470pF	0805 SMD capacitor
10	1	C23	10uF	SMD electr. cap. 5mm
11	2	C29, C30	100uF	SMD electr. cap. 6.3mm
12	6	FIX1, FIX2, FIX3, FIX4, FIX5, FIX6	FIX35	3.5mm Fixing hole
13	9	L1, L2, L3, L4, L5, L6, L7, L8, L9	1uH	SMD inductor 3225 (1210)
14	1	R1	470K0	0805 SMD res.
15	11	R2, R3, R7, R8, R11, R12, R15, R16, R20, R21, R22	51H0	0805 SMD res.
16	8	R4, R5, R9, R10, R13, R14, R17, R18	120H0	0805 SMD res.
17	2	R6, R23	10K0	0805 SMD res.
18	1	R19	NC	0805 SMD res.
19	1	U1	74HCT04/SO	Hex Inv. SMD SO14
20	1	U2	NC	Voltage reg. TO220
21	1	U3	LM78M05	Voltage reg. SMD DPAK
22	3	U4, U5, U6	SN74LVC1G125	Level translator



REF.	CODE	DESCRIPTION	MANUFACTURER CODE	MU	Q.TY
REF.1	CNTBNCMVLFO3CD	BNC M VOL X RG58/RG142 CRIMP	Adimpex "HP220022"; Deltron "BNC-05F-TGN"	PZ	1
REF.2	CAVRG58	CAVO COAX FLESSIB. RG58 50H	Huber+Suhner "RG_58_C-U"	MT	1
REF.3	CNTBNCMVLFO3CD	BNC M VOL X RG58/RG142 CRIMP	Adimpex "HP220022"; Deltron "BNC-05F-TGN"	PZ	1



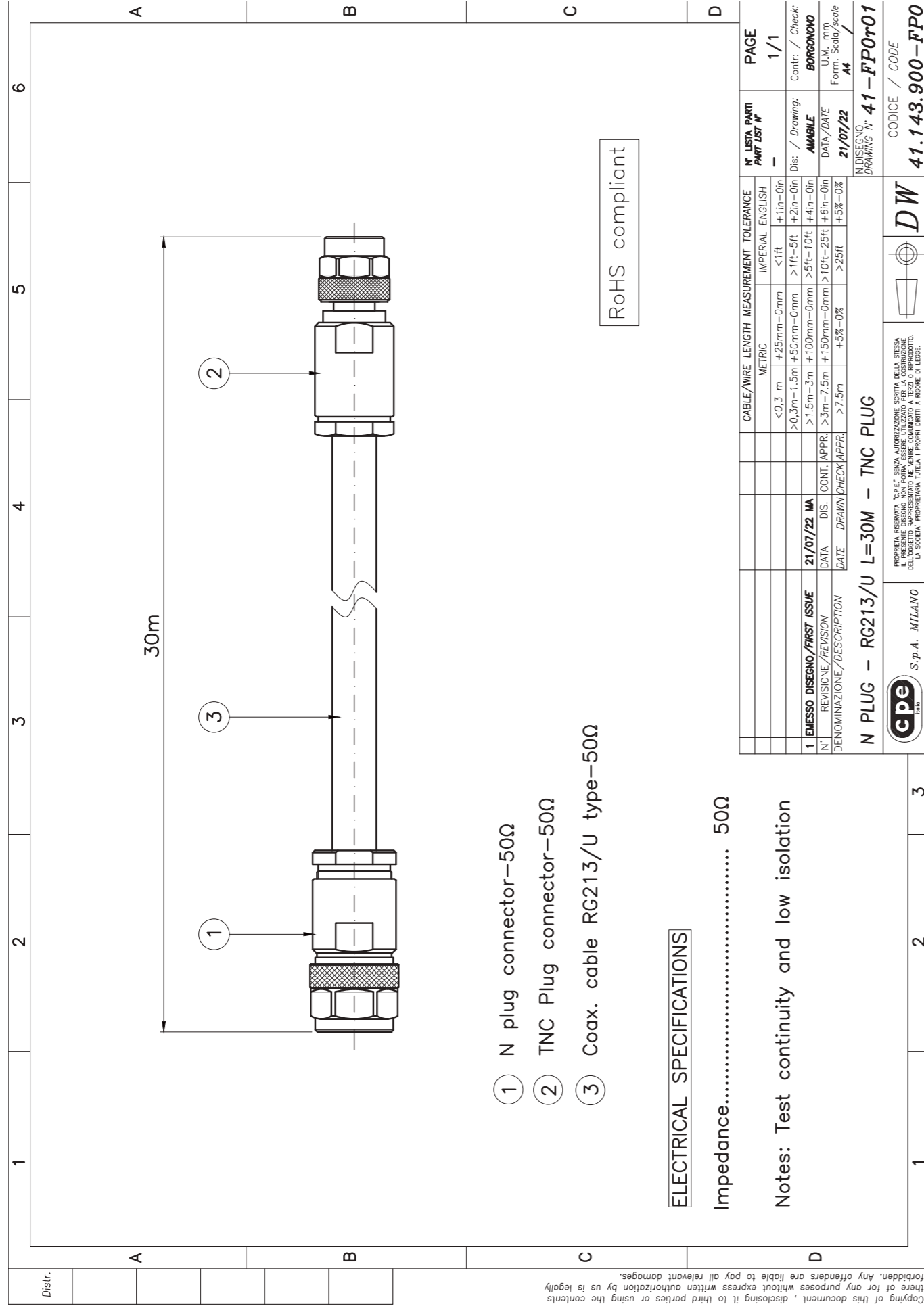
WIRING CODE :	CCXM0110038A	DESCRIPTION :	CAVO RG58 BNCMVC-BNCMVC 1000MM
DESIGNER :	G. DE DONNO	DATE :	01-08-2017
REVISION :	1.0	SCALE :	/
SIZE :	A4	PAGE :	1 OF 1



REF.	CODE	DESCRIPTION	MANUFACTURER CODE	MU	Q.TY
REF.1	CNTBNCMVLFO3CD	BNC M VOL X RG58/RG142 CRIMP	Adimpex "HP220022"; Deltron "BNC-05F-TGN"	PZ	1
REF.2	CAVRG58	CAVO COAX FLESSIB. RG58 50H	Huber+Suhner "RG_58_C-U"	MT	1
REF.3	CNTBNCMVLFO3CD	BNC M VOL X RG58/RG142 CRIMP	Adimpex "HP220022"; Deltron "BNC-05F-TGN"	PZ	1



WIRING CODE :	CCXM0110038A	DESCRIPTION :	CAVO RG58 BNCMVC-BNCMVC 1000MM
DESIGNER :	G. DE DONNO	DATE :	01-08-2017
REVISION :	1.0	SCALE :	/
SIZE :	A4	PAGE :	1 OF 1



Copying of this document, disclosing it to third parties or using the contents there of for any purposes without express authorization by us is legally forbidden. Any offenders are liable to pay all relevant damages.